

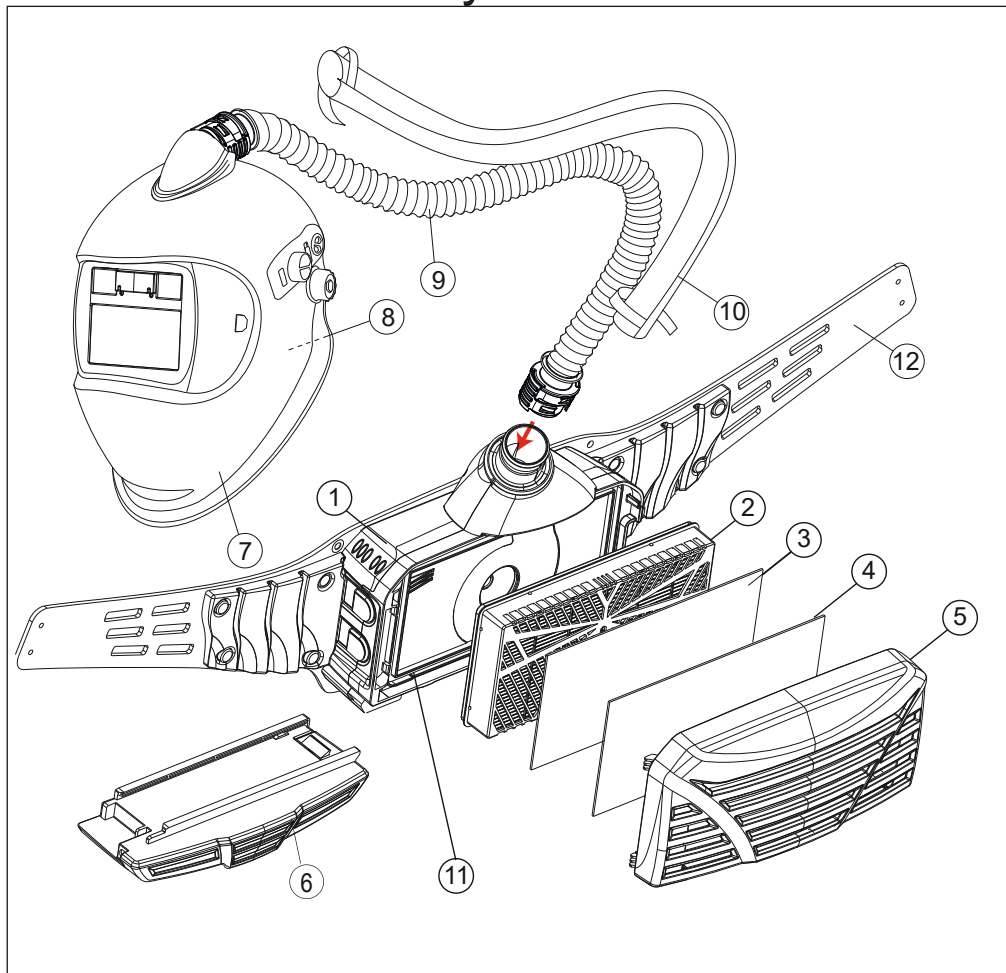
optrel®
swiss made 

e 3000X



ENGLISH	10
FRANÇAIS	13
DEUTSCH	16
SVENSKA	18
ITALIANO	22
ESPAÑOL	25
PORTUGUÊS	28
NEDERLANDS	31
SUOMI	34
DANSK	37
NORSK	40
POLSKI	43
ČEŠTINA	46
PYCKNN	49
MAGYAR	52
TÜRKÇE	55
HRVATSKI	58
GAEILGE	61

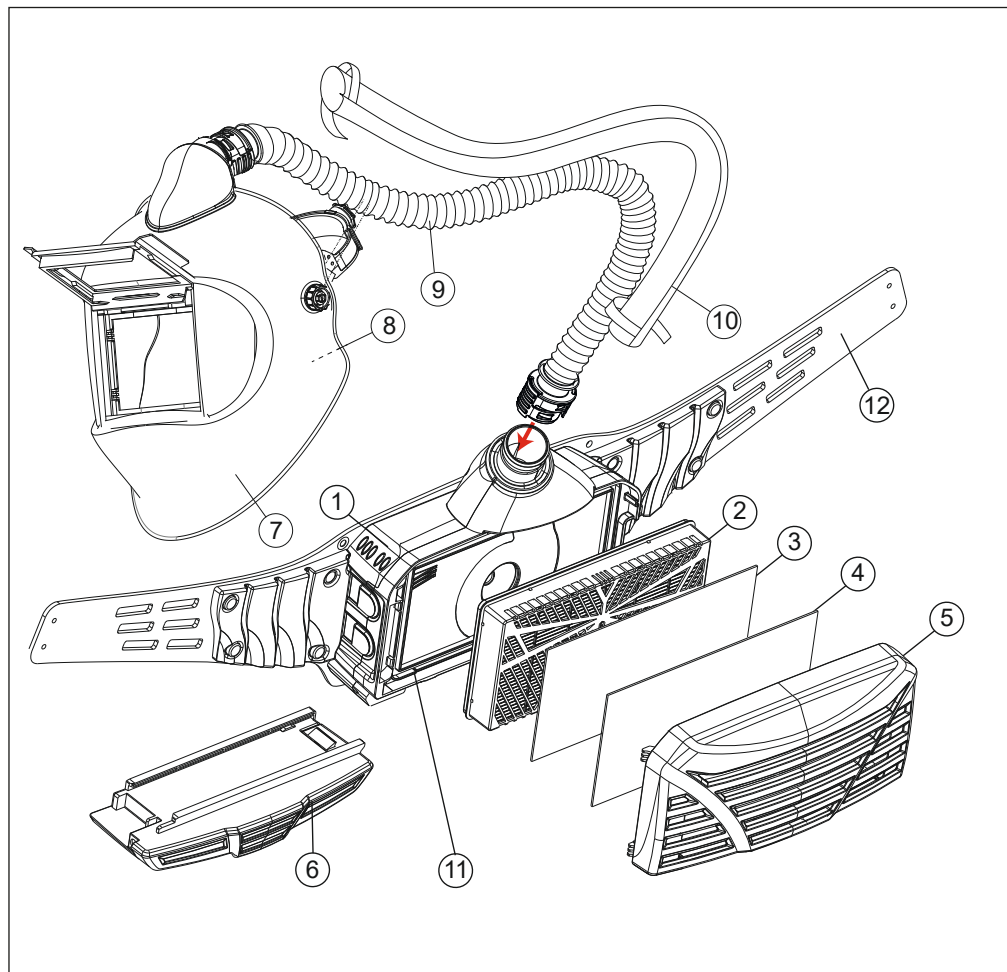
Optrel e3000X + e600/e684/vegaview2.5 /crystal2.0



Optrel e3000X PAPR		
Pos.	Part. N°	
1	4553.000	e3000X PAPR
2	4088.100	TH3P master filter
3	4088.101	Prefilter
4	4088.102	Spark protection
5	4551.036.G	Filter cover
6	4553.020	Battery

Optrel e3000X PAPR		
Pos.	Part. N°	
7	PAPR helmet: e-series, crystal2.0, vegaview2.5	
8	4160.000	Face seal e600
9	4551.020	Air hose
10	4551.021	Protective sleeve (accessory)
11	4551.023	Sealing
12	4551.061	Leather belt

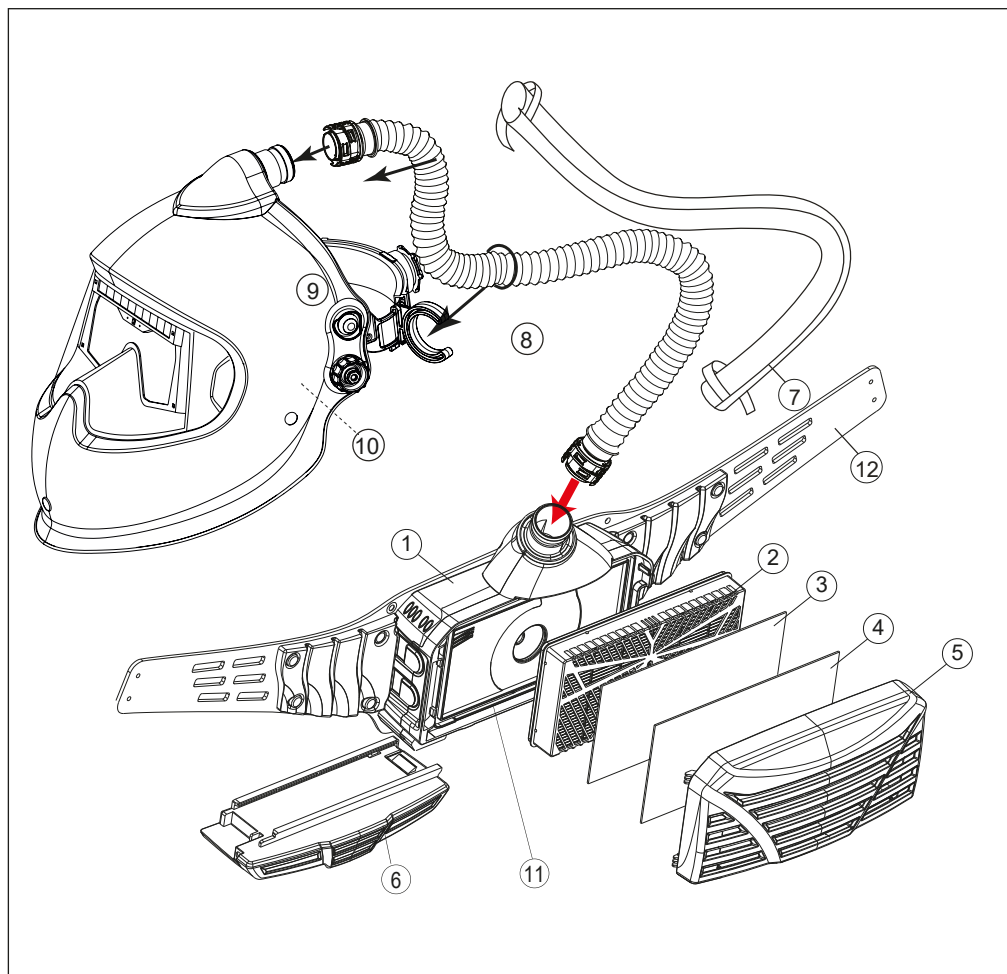
Optrel e3000X + liteflip



Optrel e3000X PAPR		
Pos.	Part. N°	
1	4553.000	e3000X PAPR
2	4088.100	TH3P master filter
3	4088.101	Prefilter
4	4088.102	Spark protection
5	4551.036.G	Filter cover
6	4553.020	Battery

Optrel e3000X PAPR		
Pos.	Part. N°	
7		PAPR helmet: liteflip
8	4160.100	Face seal liteflip
9	4551.020	Air hose
10	4551.021	Protective sleeve (accessory)
11	4551.023	Sealing
12	4551.061	Leather belt

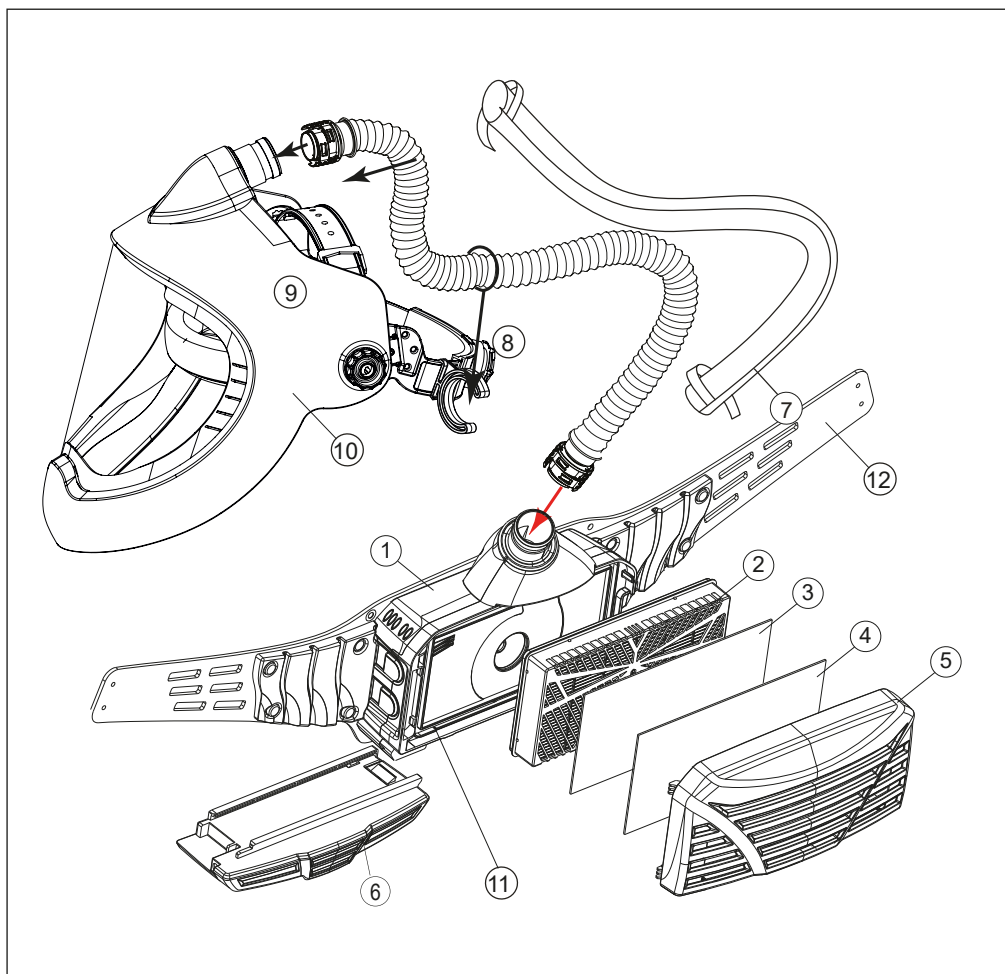
Optrel e3000X + panoramaxx



Optrel e3000X PAPR		
Pos.	Part. N°	
1	4553.000	e3000X PAPR (complete)
2	4088.100	TH3P master filter
3	4088.101	Prefilter
4	4088.102	Spark protection
5	4551.036.G	Filter cover
6	4553.020	Battery

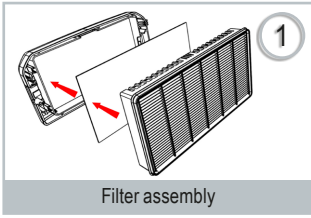
Optrel e3000X PAPR		
Pos.	Part. N°	
7	4441.660	panoramaxx PAPR
8	4160.400	Facseal panoramaxx
9	4551.020	Air hose
10	4551.021	Protective sleeve (accessory)
11	4551.023	Sealing
12	4551.061	Leather belt

Optrel e3000X + clearmaxx

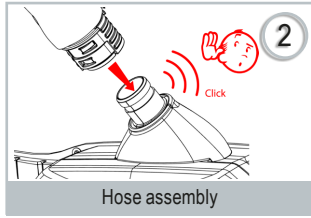


Optrel e3000X PAPP		
Pos.	Part. N°	
1	4553.000	e3000X PAPP
2	4088.100	TH3P master filter
3	4088.101	Prefilter
4	4088.102	Spark protection
5	4551.036.G	Filter cover
6	4553.020	Battery

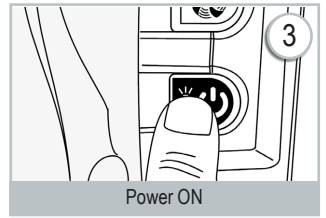
Optrel e3000X PAPP		
Pos.	Part. N°	
7	4900.020	clearmaxx grinding visor
8	4156.010	Face seal clearmaxx
9	4551.020	Air hose
10	4551.021	Protective sleeve (accessory)
11	4551.023	Sealing
12	4551.061	Leather belt



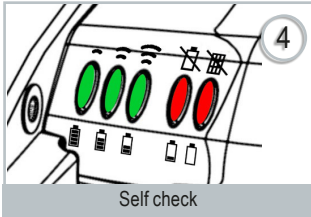
Filter assembly



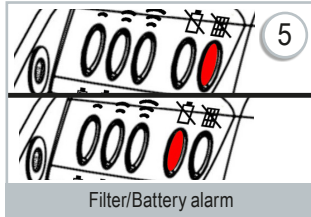
Hose assembly



Power ON



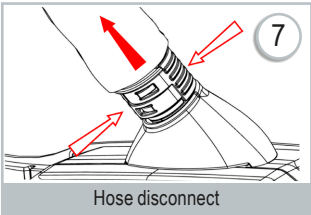
Self check



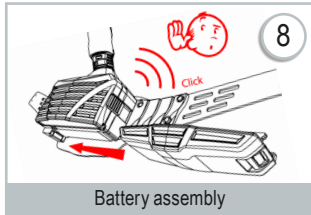
Filter/Battery alarm



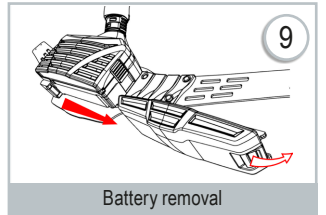
Belt size adjustment



Hose disconnect



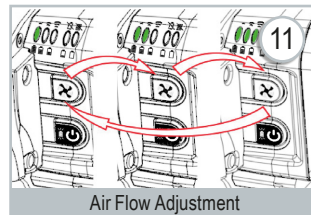
Battery assembly



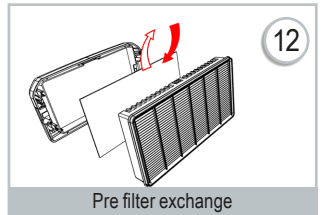
Battery removal



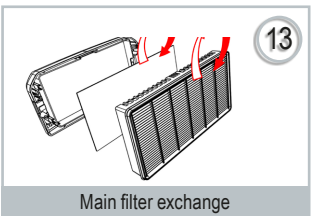
Charger connection



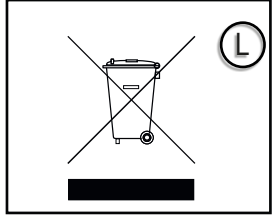
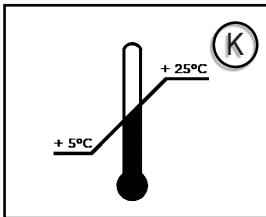
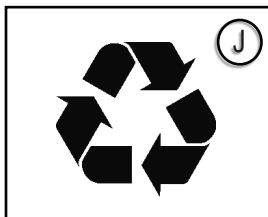
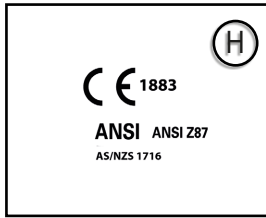
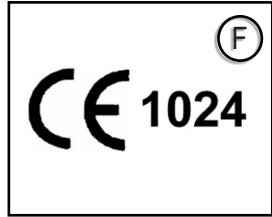
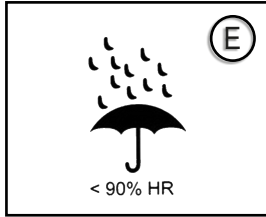
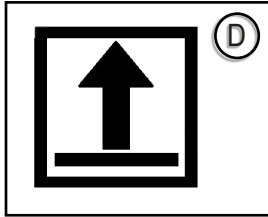
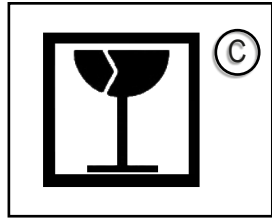
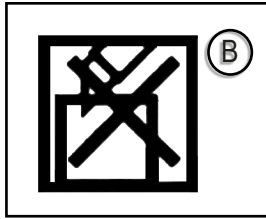
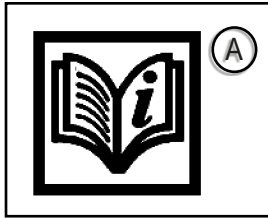
Air Flow Adjustment



Pre filter exchange



Main filter exchange



Nominal protection factor according EN 12941

Reapirator	Helmet	Class* (without Hard Hat)	Class* with Hard Hat
e3000X	panoramaxx	TH3	TH2
e3000X	e600/ vegaview2.5/crystal2.0	TH3	TH2
e3000X	liteflip	TH3	TH2
e3000X	clearmaxx	TH3	TH1

* Classification according EN 12941

English

Introduction

A blower filter unit supplies an approved welding helmet or a grinding helmet (safety helmet) with filtered fresh air. When used correctly, the user is protected against dust and particles in the breathing air.

Safety instructions

Please read this operation instruction carefully before using the device. False use may endanger life and health and void any Warranty and liability claims against Optrel.

Warnings & safety limitations / risks

Wear the helmet only when it is connected to the blower and the blower is in operation. The blower may only be used in conjunction with breathing apparatus that meets the requirements of the European and Australian Standards. This blower filter unit (PAPR) does not protect against gaseous substances. Before you start working, mount the device on and switch it on. You may only enter a danger zone safely after turning the device on. In the event of a malfunction of the blower, leave the danger zone immediately. As soon as the battery alarm (red LED and audible signal) is activated, you must leave the danger area immediately, then charge or replace the battery. As soon as the air flow alarm is activated (the red LED lights up and an audible signal is output), immediately leave the danger zone and replace the filter. If there is strong wind from the side or from behind, the protective function of the helmet may be impaired. In environments with a very high level of particle contamination, negative pressure can develop in the protective helmet when breathing in. This could impair the protective effect. In this case, do not remove the helmet or switch off the blower until you have left the danger zone. When taking off the helmet, take all necessary precautions to avoid inhaling dust or contaminated material that may have accumulated on the outside of the helmet. Never immerse the fan or battery in water as this may damage the unit. Prevent water ingress into the unit during cleaning. Used filters cannot be cleaned or reprocessed. Attempts to clean the filter with compressed air or water may damage the filter. Do not short-circuit the battery; this can cause serious damage.

The hose cover should be replaced every 6 months. Due to intensive UV and IR irradiation, the tube cover loses its flame retardant effect. Before use always examine the hose cover carefully to determine whether bleached, light or brown areas have formed in the textile. As soon as light or matt areas are visible, the hose cover must no longer be used and must be replaced.

The blower filter unit (PAPR) must not be used:

- in flammable or explosive atmospheres,
- if the oxygen content in the breathing air is too low (Europe: <17%, Australia: <19%) or if the toxin concentration is so high that a higher protection class than TH3P (Europe and Australia) is required,
- at temperatures below -5 °C or above +55 °C,
- in environments where there is an imminent danger to health and life.

WARNING

- Your employer (or you, if you do not have an employer) is/are responsible for establishing that this respirator is suitable for the user's application.
- Optrel cannot predict what will happen to this respirator in every potential environment. Materials can be chemically attacked if exposed to the wrong environment and may exhibit excessive corrosion or other forms of damage. Permeation or penetration of gases, liquids or particles through the materials could be excessive. Extremes of temperature might cause thermal degradation. Each of these things, or a combination of them, could create conditions in which this respirator by Optrel does not protect adequately and could be dangerous.
- Before entering a hazardous environment while wearing this respirator, you must conduct safe, scientific tests to determine if the environment could render the equipment unsafe. Results of this testing should be well documented. Seek the help of a certified safety professional or industrial hygienist. DO NOT USE this equipment if the user would be endangered in any way through environmentally induced degradation of the materials in the apparatus.
- All persons using this Optrel breathing apparatus must be made aware of its limitations. We cannot be responsible for any damage to property, personal injury, or death in which environmental exposure is a contributing factor.

- Do not use this respirator if anything comes between the helmet face seal and your face (e.g., hair braid, bandanna, head covering, etc.). This condition will prevent a good helmet seal and may allow the leakage of contaminants into the helmet. The product can be used as a beard wearer and does not require a face fit test.
- Do not use this respirator in environments where the concentrations of contaminants are unknown or are immediately dangerous to life or health (IDLH). IDLH atmospheres are defined as:
 - a. Those that the wearer could not breathe for short periods.
 - b. Those from which the wearer could not escape without the aid of a respirator.
 - c. Those which have an immediate or delayed adverse effect on health.
- NEVER use this respirator without an Optrel HE filter, P/N 4088.100.
- Do not use this respirator where environmental conditions could cause the respirator helmet to be dislodged or slip.
- This respirator does not protect against gases or vapors. It is only for protection against particulate contaminants.
 - Immediately return to a non-contaminated area if:
 - a. You taste or smell contaminants or if your eyes, nose, or throat become irritated.
 - b. Breathing becomes difficult.
 - c. The air you are breathing becomes uncomfortably warm.
 - d. You feel nauseous or dizzy.
 - e. You notice a loss or decrease in airflow.
 - f. The helmet moves, slips, or leaks.
 - g. You feel tired
 - This respirator does not protect exposed areas of the body. Some contaminants can be absorbed directly through the skin while others may irritate exposed areas.
 - This respirator does not provide protection from harmful noise. Always wear proper ear protection.
 - This respirator does not supply oxygen. Do not use the respirator in atmospheres containing less than 19% oxygen by volume.
 - This respirator must not be used under water, for fumigation, interior structural firefighting, abrasive blasting operations, or in areas where prolonged durations of high heat or flames could contact the respirator.
 - Optrel respirators, accessories, and associated equipment should not be used in atmospheres that may contain contaminant concentrations above the lower explosive level (LEL).
 - This respirator will reduce, but will not eliminate the inhalation of contaminants. Some sensitive individuals may experience health problems when exposed to even minute amounts of contaminants. This respirator will not prevent health problems to those individuals.
 - Using components other than those listed in this guide or the components authorized by Optrel or modifying it Respiratory protective equipment or accessories in any way will void all Optrel warranties and liability claims.
 - Persons sensitized can have a severe reaction to chemicals at levels well below accepted health levels such as the OSHA Permissible Exposure Limit (PEL), ACGIH Threshold Limit Value (TLV), or NIOSH Recommended Exposure Limits (REL). DO NOT use this respirator if you have been sensitized from previous exposure or believe that you may be sensitive or allergic to any chemical (e.g., isocyanates, latex, etc.) until you obtain clearance from a medical doctor.
 - Always read and follow the instructions listed in the Material Safety Data Sheet for the chemicals that are present in the work area.
 - Do not use, if you have a preexisting skin condition (for example, folliculitis or vitiligo) until you obtain clearance from a medical doctor.
 - This respirator must be worn and used as specified in Optrel's instructions. Do not leave away any part of the respirator or leave out a mandatory step of the instructions.
 - No respirator can provide complete protection from all conditions. Use extreme care for emergency conditions.
 - Users must clean and maintain this respirator only in accordance with Optrel's instructions. Accessories not offered by Optrel, may degrade performance.
 - Discontinue use if you experience skin irritation or discoloration.
 - This product may provide less than adequate protection if improperly used, which may result in serious personal injury, serious illness, or death.

- For use by trained qualified personnel only.
 - Do not use this respirator if it has been left exposed in a contaminated environment as contaminants could collect on the inside of the helmet and be inhaled when the gas mask is donned.
 - Routinely used respirators must be inspected before and after each use.
 - FAILURE TO OBSERVE ALL WARNINGS MAY RESULT IN SERIOUS PERSONAL INJURY, SERIOUS ILLNESS, OR DEATH.
- If you have questions about the specific application, use, or suitability of the e3000X system, please contact Optrel customer service.

Warranty & liability

Optrel will repair or replace the product as needed if a defect in materials or workmanship occurs within 24 months of the date of purchase, provided the product has been used as directed in the instruction manual. The warranty is void if the serial number has been changed, removed or made illegible, or if the product has been intentionally damaged, misused, opened or modified. The warranty and liability also expires in the event of incorrect use, use of non-original spare parts or lack of maintenance. The warranty only covers the repair or replacement of defective parts. Under no circumstances shall Optrel be liable for any general failures or consequential damages.

Expected Lifetime

The e3000X has no expiration date. The product can be used as long as no visible or invisible damage or malfunctions occurs.

Field of application

The e3000X is a blower filter unit (PAPR) for protection against dust and particles. This system is TH3P certified according to European Standard EN 12941:1998 and TH3P certified according to Australian Standard AS/NZS 1716:2012. The e3000X is used to support the ventilation process. This reduces the effort of inhaling and thus the fatigue. The electronic flow control system monitors the blower to ensure a constant air flow of at least 170 L/min.

The effective operating time of the e3000X with a fully charged battery depends on the battery type and filter condition (see table "Technical data"). Before you start up

- Carefully remove the packaging of the various parts.
- Charge battery completely before first usage

Inspection table:

Check whether the unit is complete in accordance with the scope of delivery and nothing has been damaged. If any damage is found or a part is missing, contact the sales department immediately. Never use a damaged or incomplete unit. Please have a specific look at the following components:

COMPONENT	LOOK FOR
Battery	<ol style="list-style-type: none"> 1. Connector cracked or broken. 2. Loose battery case lid or damaged connector.
Hose	<ol style="list-style-type: none"> 1. Holes, cuts or abrasions. 2. Damaged spirals.
Belt / Shoulder Harness	<ol style="list-style-type: none"> 1. Cuts, nicks, tears or broken stitching. 2. Damaged buckle. 3. Loose hardware.

Testing before commissioning

Before each use, make sure that the e3000X is in perfect condition and proceed as follows:

1. Make sure that spark protection, the main filter and prefilter are correctly installed and that the release lever firmly fixes the cover (the cover must snap into place with an audible click when closed) (Fig. 1). Note: When used in the medical field, the spark protection and the prefilter may be omitted for hygienic reasons.
2. Check the air hose and the air connection for damage (holes, cracks, cuts, etc.). Connect the air hose to the helmet and blower by pressing the hose on to the mating part until it snaps into place with an audible click (Fig. 2).
3. Switch on the e3000X by pressing the On/Off button for about 0.5 seconds (Fig. 3). During the 3-second start-up phase, all 5 LEDs light up (3 LEDs for setting the air flow level in green and 2 LEDs in red, one indicating the battery status and the other the filter status - Fig. 4) and an audible alarm (3 beeps) is output. The e3000X is then ready for operation.
4. In addition, the e3000X performs a self-test during the start-up phase

to ensure that the unit is generating a sufficient air flow of above 170 L/min. If the red filter LED goes out after the 3-second switch-on phase, an air flow of at least 170 L/min is maintained. Using a built-in flow meter, the e3000X constantly monitors the air flow throughout operation and maintains it above 170 L/min.

5. As described above, the e3000X has a visible and audible alarm (Fig. 5) for low battery capacity and missing, clogged or incorrectly inserted filters. In the event of an alarm, leave the danger zone immediately! Make sure that the low air flow/filter clogging alarm works by simulating a low airflow as follows: While the e3000X is switched on, remove the hose from the helmet and press your hand against the end of the hose. The motor then accelerates automatically to compensate for the low airflow. Continue to press your hand firmly against the end of the hose to seal it tightly. The unit eventually emits an audible alarm and the red filter LED lights up.
6. To stop the alarm, press the On/Off button for about 3 seconds and connect the hose to the helmet.
7. Make sure the helmet is undamaged, put it on and fasten the PAPR around your hips.
8. Start the blower and make sure that the air in the helmet is circulating. In case of damage, the defective parts must be replaced before continuing to use the PAPR.

Operating mode

Adjusting the belt size: Put on the belt (Fig. 6) and adjust the size so that the blower unit sits comfortably on your hips.

Removing the air hose: Push in the hose connection on both sides and pull it off the mating part (Fig. 7).

Inserting the rechargeable battery: The battery must be inserted into the appropriate guide on the right underside of the e3000X. Push the battery forward until it audibly snaps into place (Fig. 8).

Removing and charging the battery: Pull the battery release lever back and slide the battery along the guide and completely out of the blower unit (Fig. 9). Then connect the battery to the charger (Fig. 10). The charging process is indicated by the red LED on the charger. When charging is complete, the LED shows green and trickle charge mode is activated. Check that the voltage in the socket matches the voltage indicated on the charger.

WARNING

- Optrel P/N 4553.020 Lithium Ion batteries can only be charged with a Optrel charger (P/N 4551.070). Using other chargers could cause explosions resulting in injury or death.
- Optrel chargers (P/N 4551.070) are for indoor use only and must not be exposed to outdoor elements. Do not charge battery below 0°C or above 45°C. Do not charge battery near flammable materials such as boxes, paper and furniture.
- Battery charging must be done in a safe, non-hazardous location. Do not charge or store the battery in proximity to the welding apparatus.
- Do not expose the lithium ion cells to water or allow them to get wet. Incidental exposure of the battery pack to water is acceptable provided the lithium ion cells remain dry.
- Do not disassemble or modify the battery. The battery contain safety and protective devices, which, if damaged, may cause the batteries to generate heat, explode or ignite.

WARNING

- Do not place the battery in direct sunlight or use or store the battery near a source of heat or electric arc.
- Failure to observe these warnings may result in serious personal injury, serious illness, or death.

CAUTION

- Optrel recommends that the battery is charged and stored at temperatures between 4.5°C and 26.7°C. Charging at higher temperatures causes a reduction in capacity and reduces battery life.
- Use caution to prevent puncturing or rupture of cells.
- If the lithium battery is damaged, appears to swell, leaks electrolytes or gets abnormally hot during charging, discontinue its use immediately and store in a fireproof container until it can be recycled.
- Do not leave the battery attached to the charger for more than 70 hours. Check battery status: Press the On/Off Button shortly and the LED will blink. Check the battery charge status on the lower scale.

Adjusting the air flow: The blower has three air flow levels: 170/210/240 L/min. To change the air flow level, press the air flow button and scroll through the different levels until the desired level is reached (Fig. 11).

Replacing the main filter and prefilter: If a filter alarm is output, the prefilter must be replaced (Fig. 12). Please monitor the time between filter alarms. This becomes shorter each time the prefilter is replaced. If you have the impression that the change intervals are too short (this is a personal impression), it is recommended to replace the main filter and the prefilter (Fig. 13).

Alarm function

Filter clogging alarm: When the filter clogging alarm is tripped, the LED shows red. Without action, the flow levels III and II change to one lower. To replace the prefilter and main filter, press and hold the On/Off button for 2 seconds to turn off the e3000X. You can now change the filters.

Battery alarm: When the battery alarm is triggered, the LED shows red. A beep is emitted every second; you can continue using the device for approx. 30 minutes.

Storage

The e3000X system and accessories must be stored in a dry place. Protect it against sunlight, high temperatures, hydrocarbons and solvent vapours.

Maintenance

Check the helmet regularly according to the operating instructions. Check the face seal and the air nozzle for holes, cracks or other damage and make sure that the parts are correctly positioned on the helmet (see instruction manual). Do not use the system until all worn or damaged parts have been replaced.

Maintenance schedule

Activity	Frequency
Cleaning, disinfection	Always after use
Visual inspection	Always before and after use
Charging the battery	After each use
Replace seal between main filter and blower unit	Replace if the seal is worn or damaged, but at least 1x per year

For use in industry and craft Optrel recommends that the unit be serviced at least once a year by an Optrel qualified service company. This is a recommendation and not a requirement. When the device is in storage, the battery must be recharged every 4 months.

Cleaning and disinfection

Clean the blower, air hose and helmet using a cloth moistened with soapy water. Allow the unit to dry at room temperature. Do not use aggressive cleaning agents or solvents, alcohol or abrasive cleaning agents. The mechanical seal is washable (hand wash, do not spin).

Troubleshooting

Blower does not switch on

- Make sure the battery is inserted correctly.
- Make sure the battery is fully charged.

Filter alarm is activated even though the pre- and main filters have been replaced and are correctly installed

- Internal e3000X error
- Return the e3000X system to the nearest dealer.

Battery life is too short

- Battery defective – Replace battery and dispose of defective battery as hazardous waste.
- Charger defective - replace.

Technical data

(We reserve the right to make technical changes.)

Nominal protection factor	Europe: TH3P/TH2P classification (see page IV) Australia: P3 classification
Blower unit	Air flow rates: Level 1: min. 170 L/min Level 2: min. 210 L/min Level 3: min. 240 L/min
Material	PC + ABS

Blower	High-quality, ball-bearing mounted blower motor
Fuse	Electronic fuse
Battery	Type: Li-Ion rechargeable Voltage / capacity: 14.8V / 3.25Ah Charging cycles: > 500 Operating time level 1* 18 h Operating time level 2* 16 h Operating time level 3* 13 h Charging time: approx. 5h Weight: 420g / 14.815 oz Colour: black *min. operating time with new filter at room temperature
Noise level	Max. 70 dB(A)
Warning signals	Audible and visual alarm for low battery, clogged or missing filter and low airflow
Filter	1x type TH3P R SL for TH3P system (Europe)/TH3P system (Australia)
Air hose	Length: 1160 mm (elastic upto 1300mm with protective sleeve) Diameter: 31 mm (inside) Weight: 185g / 6.526 oz (without protective cover) Colour: black
Weight	1195g / 42.152 oz (incl. filter and belt, without battery)
Dimensions	LxWxH: 222 x 213 x 92.6 mm
Standards	EN 12941:1998 / A2:2008, EAC TP TC 019:2011, AS/NZS 1716
Notified body	CE 1024

Scope of delivery/Spare parts (see page I, II, III)

- 1 e3000X PAPP
 - 2 Main filters TH3P R SL filter for TH3P system (Europe)/TH3P system (Australia)
 - 3 Prefilter
 - 4 Spark protection
 - 5 Filter cover
 - 6 Standard battery (Lithium-Ion 48 Wh)
 - 7 PAPP-compatible safety helmet
 - 9 Hose
 - 10 Protective cover for air hose (accessories, not included)
- Further accessories can be found in the main catalogue or on our website.

Explanation of symbols (see page VI)

- A Read operating instructions before use
- B Do not open with sharp objects
- C Fragile content
- D Store with this side facing up
- E Protect from moisture
- F Notified body identification mark
- G Mark of conformity EAC (Russia)
- H Contains lithium ions
- I Plastic, recyclable
- J Recommended storage temperature: 5 C° to +25 C°
- K Do not dispose of as domestic waste. Dispose of as hazardous waste.

Declaration of Conformity

See the Internet address on the last page.

Legal information

This document complies with the requirements of EU Regulation 2016/425 section 1.4 of Annex II.

Notified body

For detailed information see last page.

Français

Introduction

Un appareil de protection respiratoire à ventilation assistée sert à alimenter en air frais filtré un masque de soudage ou d'affûtage (masque de protection) dont l'utilisation en association avec lui est homologuée. L'observation de ces instructions ainsi que des instructions du masque de protection utilisé à cet effet protège l'utilisateur contre les poussières et les particules dans l'air respiratoire.

Consignes de sécurité

Veillez lire soigneusement la présente notice avant d'utiliser l'équipement. Une utilisation incorrecte peut occasionner des risques pour la santé ou mettre votre vie en danger, et pourrait rendre nulle et non avenue toute demande en garantie auprès d'Optrel.

Limites de garantie et de sécurité / Risques

Ne portez le casque de protection que s'il est raccordé au ventilateur et si celui-ci est en marche. Le ventilateur ne doit être utilisé que pour un appareil respiratoire conforme aux normes européennes et australiennes. Ce PAPR ne protège pas des substances à l'état gazeux. Ajustez l'appareil et mettez-le en marche avant de commencer à travailler ; ce n'est qu'après que vous pourrez pénétrer dans la zone à risque. Évacuez immédiatement cette zone en cas de dysfonctionnement du ventilateur. Dès que l'alarme de l'accu se déclenche (voyant rouge allumé et déclenchement du signal sonore), vous devez évacuer immédiatement la zone de danger. Rechargez l'accumulateur ou remplacez-le. Dès que l'alarme de flux d'air se déclenche (voyant rouge allumé et déclenchement du signal sonore), évacuez immédiatement la zone de danger et changez le filtre.

En cas de fort vent latéral ou arrière, la protection qu'offre le casque risque d'être réduite. En cas de pollution importante de l'environnement par des particules, l'inspiration d'air peut provoquer une dépressurisation dans le casque de protection, diminuant ainsi la protection. Dans ce cas, n'ôtez pas le casque et n'éteignez pas le ventilateur avant d'avoir quitté à zone à risque. Prenez toutes les précautions nécessaires en enlevant votre casque de protection afin de ne pas respirer de poussières ou de matières contaminées qui se seraient déposées sur l'extérieur du casque. N'immergez jamais le ventilateur ou la batterie dans l'eau, car vous risqueriez d'endommager l'appareil. Assurez-vous que de l'eau ne pénètre pas dans l'appareil lorsque vous le nettoyez. Les filtres usagés ne se nettoient et ne se régénèrent pas. Toute tentative de nettoyage des filtres à l'aide d'air comprimé ou d'eau les endommagerait. Veillez à toujours respecter la polarité de l'accu afin d'éviter des dommages irréversibles.

Le manchon de protection du tuyau d'air doit être remplacé tous les 6 mois. Grâce à intense UV et IR rayonnement, le manchon lâche son effet retardateur de flamme. Le manchon de protection doit être soigneusement examinées avant chaque utilisation, que ce soit est blanche, tourné clair, brillant ou brun taches ont FORMÉ dans le textile. Une fois que des points lumineux ou ternes sont visibles, le manchon ne peut plus être utilisé et être remplacé.

Le PAPR ne doit pas être utilisé :

- dans un environnement inflammable ou présentant un risque d'explosion,
- si l'air inhalé est trop pauvre en oxygène (Europe : <17 %, Australie : <19%) ou si la concentration de substances toxiques est élevée au point de nécessiter une classe de protection supérieure à la norme TH3P (Europe et Australie),
- en cas de températures inférieures à -5° C ou supérieures à +55° C,
- dans un environnement présentant un risque immédiat pour la santé ou la vie.

ATTENTION

- Votre employeur (ou vous-même, si vous n'avez pas d'employeur) est / sont responsable de l'établissement de la compatibilité de ce respirateur avec l'application de l'utilisateur.
- Optrel ne peut prédire ce qu'il adviendra de ce respirateur dans tous les environnements potentiels. Les matériaux peuvent être attaqués chimiquement s'ils sont exposés au mauvais environnement et peuvent présenter une corrosion excessive ou d'autres types de dommages. La perméation ou la pénétration de gaz, de liquides ou de particules à travers les matériaux peut être excessive. Les températures extrêmes peuvent provoquer une dégradation thermique. Chacune de ces choses, ou une combinaison de celles-ci, pourrait créer des conditions dans lesquelles l'utilisation de ce respirateur à Optrel serait dangereuse.
- Avant de pénétrer dans un environnement dangereux tout en portant ce respirateur, vous devez effectuer des tests scientifiques sûrs pour déterminer si l'environnement peut rendre l'équipement dangereux. Les résultats de ces tests doivent être bien documentés. Faites appel à un professionnel de la sécurité agréé ou à un hygiéniste industriel. N'UTILISEZ PAS cet équipement si l'utilisateur était menacé de quelque manière que ce soit en raison d'une dégradation des matériaux

dans l'appareil provoquée par l'environnement.

- Toutes les personnes utilisant cet appareil respiratoire Optrel doivent être informées de ses limites. Nous ne pouvons être tenus responsables de tout dommage matériel, corporel ou mortel dans lequel l'exposition environnementale est un facteur contributif.

- N'utilisez pas ce respirateur s'il reste quelque chose entre le joint facial du casque et votre visage (tresse de cheveux, bandana, couvre-chef, etc.). Cette condition empêchera un bon scellement du casque et peut permettre la fuite de contaminants dans le casque. Le produit peut être utilisé comme porteur de barbe et ne nécessite pas de test d'ajustement du visage.

- N'utilisez pas ce respirateur dans des environnements où les concentrations de contaminants ne sont pas connues ou présentent un danger immédiat pour la vie ou la santé (IDLH). Les atmosphères IDLH sont définies comme suit:

- a. Ceux que le porteur ne pouvait pas respirer pendant de courtes périodes.
 - b. Celles dont le porteur ne pourrait pas s'échapper sans l'aide d'un respirateur.
 - c. Ceux qui ont un effet négatif immédiat ou retardé sur la santé.
- NE JAMAIS utiliser ce respirateur sans filtre HE Optrel, réf. 4088.100.
 - N'utilisez pas ce respirateur dans des conditions environnementales pouvant provoquer le glissement ou le glissement du casque.
 - Ce respirateur ne protège pas contre les gaz ou les vapeurs. C'est uniquement pour la protection contre les contaminants particuliers.
 - Retournez immédiatement dans une zone non contaminée si:

- a. Vous goûtez ou sentez des contaminants ou si vos yeux, votre nez ou votre gorge sont irrités.
- b. La respiration devient difficile.
- c. L'air que vous respirez devient inconfortablement chaud.
- d. Vous vous sentez nauséux ou étourdi.
- e. Vous remarquez une perte ou une diminution du débit d'air.
- f. Le casque bouge, glisse ou fuit.
- g. vous vous sentez fatigué.

- Ce respirateur ne protège pas les zones exposées du corps. Certains contaminants peuvent être absorbés directement par la peau alors que d'autres peuvent irriter les zones exposées.

- Ce respirateur n'offre pas de protection contre les bruits nocifs. Portez toujours une protection auditive appropriée.

- Ce respirateur ne fournit pas d'oxygène. Ne pas utiliser le respirateur dans

- atmosphères contenant moins de 19% d'oxygène en volume.

- Ce respirateur ne doit pas être utilisé sous l'eau, pour la fumigation, la lutte contre les incendies dans les bâtiments intérieurs, le jet d'abrasif, ou dans des zones où des sources prolongées de chaleur intense ou de flammes pourraient entrer en contact avec le respirateur.

- Les respirateurs Optrel, les accessoires et l'équipement associé ne doivent pas être utilisés dans des atmosphères pouvant contenir des concentrations de contaminants supérieures au niveau d'exposif inférieur (LEL).

- Ce respirateur réduira, mais n'éliminera pas l'inhalation de contaminants. Certaines personnes sensibles peuvent avoir des problèmes de santé lorsqu'elles sont exposées à des quantités infimes de contaminants. Ce respirateur ne prévient pas les problèmes de santé de ces personnes.

- Les personnes sensibilisées peuvent avoir une réaction grave aux produits chimiques à des niveaux bien inférieurs aux niveaux de santé acceptés tels que la limite d'exposition permmissible (OSHA) OSHA, la valeur limite de exposition (TLV) de l'ACGIH ou les limites d'exposition recommandées par le NIOSH. NE PAS utiliser ce respirateur si vous avez été sensibilisé par une exposition précédente ou si vous pensez être sensible ou allergique à un produit chimique (par exemple, isocyanates, latex, etc.) avant d'avoir obtenu l'autorisation de votre médecin.

- Toujours lire et suivre les instructions répertoriées dans la fiche de données de sécurité pour les produits chimiques présents dans la zone de travail.

- Ne l'utilisez pas si vous souffrez d'une affection cutanée préexistante (par exemple, folliculite ou vitiligo) avant d'avoir obtenu l'autorisation de votre médecin.

- Ce respirateur doit être porté et utilisé conformément aux instructions d'Optrel. Ne laissez aucune partie du respirateur ou une étape obligatoire des instructions.

- Aucun respirateur ne peut fournir une protection complète contre toutes les conditions. Faites preuve d'une extrême prudence dans les situations d'urgence.

- Les utilisateurs doivent nettoyer et entretenir ce respirateur uniquement conformément aux instructions d'Optrel. Les accessoires non offerts par Optrel peuvent dégrader les performances et annuleront la certification.

- Cesser l'utilisation si vous ressentez une irritation ou une décoloration de la peau.

- Ce produit peut fournir une protection moins que suffisante en cas d'utilisation incorrecte, ce qui peut entraîner des blessures graves, une maladie grave ou la mort.

- Réservé à un personnel qualifié et formé.
- N'utilisez pas ce respirateur s'il a été exposé dans un environnement contaminé, car des contaminants pourraient s'accumuler à l'intérieur du casque et être inhalés lorsque le masque à gaz est enfilé.
- Les respirateurs d'usage courant doivent être inspectés avant et après chaque utilisation.

LE NON-RESPECT DE TOUTES LES AVERTISSEMENTS PEUT ENTRAINER DES BLESSURES GRAVES, DES MALADIES GRAVES OU LA MORT.

Pour toute question liée à une application spécifique, à l'utilisation ou à la qualification du système e3000X, veuillez contacter le service après-vente Optrel.

Garantie et responsabilité

Optrel s'engage le cas échéant à réparer ou à remplacer le produit en cas de défauts des matériaux et de fabrication apparus dans un délai de 24 mois à compter de la date d'achat et à condition que le produit ait été utilisé conformément à la notice d'utilisation. La garantie ne s'applique pas lorsque le numéro de série a été modifié, effacé ou rendu illisible ou si le produit a été volontairement endommagé, mal utilisé, ouvert ou modifié. La garantie ne s'applique pas non plus en cas de mauvaise utilisation, de mise en place de pièces de rechange autres que des pièces d'origine ou d'un entretien insuffisant de l'appareil.

La garantie ne s'applique qu'à la réparation ou au remplacement des pièces défectueuses. Optrel ne peut en aucun cas être tenu responsable d'éventuelles pertes d'exploitation ou dommages indirects.

Durée de vie prévue

Le e3000X n'a pas une date d'expiration. Le produit peut être utilisé tant que aucun dommage visible ou invisible ou des problèmes fonctionnels se produisent.

Domaine d'application

Le e3000X est un dispositif de filtration d'air à ventilation assistée (PAPR) destiné protéger des poussières et des particules. Ce système est certifié TH3P conformément à la norme européenne EN 12941:1998 et conformément à la norme australienne AS/NZS 1716: 2012.

Le e3000X sert à assister le processus de ventilation et réduit par conséquent l'effort d'inspiration ainsi que la fatigue. Le système électronique de régulation du flux d'air contrôle le ventilateur, afin de garantir un flux d'air constant minimum de 170 L/min. Lorsque l'accu est totalement rechargé, l'autonomie du e3000X dépend du type d'accu utilisé et de l'état du filtre (voir tableau des caractéristiques techniques).

Avant avant de commencer

- Retirez soigneusement l'emballage des différentes pièces.
- Chargez complètement la batterie avant la première utilisation

Table d'inspection:

Vérifiez si l'appareil est complet conformément au contenu de la livraison et si rien n'a été

endommagé. Si des dommages sont constatés ou si une pièce manque, contactez immédiatement

le service des ventes. Ne jamais utiliser un appareil endommagé ou incomplet. Veuillez examiner

spécifiquement les composants suivants:

COMPOSANT	CHERCHEZ
Batterie	1. Connecteur fissuré ou cassé. 2. Couverture du compartiment à piles desserré ou connecteur endommagé.
Tuyau	1. Trous, coupures ou abrasions. 2. Spirales endommagées.
Harnais Ceinture / Epaule	1. Coupures, entailles, déchirures ou coutures brisées. 2. Boucle endommagée. 3. Matériel lâche.

Pour toute information sur le joint facial e600, veuillez utiliser le manuel d'utilisation pour joint facial.

Inspection et test avant la mise en service

Avant chaque utilisation de l'appareil, assurez-vous que le système e3000X est en parfait état et procédez comme suit :

1. Vérifiez que la protection des étincelles ainsi filtre principal et le pré-filtre sont correctement installés et que la poignée permettant de soulever le capot de protection est bien en place (le capot doit émettre un clic d'enclenchement lors de la fermeture) (figure 1). Remarque: Lorsqu'elles sont utilisées dans le domaine médical, la grille de protection contre les étincelles et le préfiltre peuvent être omis pour des raisons d'hygiène.
2. Vérifiez que le flexible à air ainsi que le raccord à air sont en bon état et ne présentent aucun trou, fissure ou coupure. Raccordez le flexible à air au casque et au ventilateur, en pressant le flexible sur la contre-pièce jusqu'au clic

d'enclenchement, qui vous indique qu'il ne peut être enlevé en le tirant simplement (figure 2).

3. Allumez le e3000X en appuyant sur le bouton marche/arrêt pendant une demi-seconde environ (figure 3). Lors de la mise en service, pendant environ 3 secondes, les 5 voyants (3 voyants verts pour la sélection du flux et 2 voyants rouges, l'un correspondant à l'état de l'accu et l'autre à celui du filtre - figure 4) sont allumés et une alarme sonore (3 bips) retentit. Le e3000X est ensuite prêt à être utilisé.
4. En outre, lors de la mise en service, le e3000X effectue un autotest initial afin de vérifier que le débit fourni par l'appareil est bien supérieur à 170 L/min. L'extinction du voyant rouge à l'expiration des 3 secondes mentionnées plus haut, signifie qu'un débit d'au moins 170 L/min est maintenu. Grâce à un capteur de flux interne, le e3000X commande et maintient en permanence un flux adéquat de 170 L/min pendant l'ensemble de l'opération.
5. Comme indiqué, le e3000X est équipé d'une alarme sonore et visuelle (figure 5) qui se déclenche en cas de fin de charge de l'accu ou d'un filtre manquant, obstrué ou mal monté. En cas d'alarme, quittez immédiatement la zone de danger ! Assurez-vous que l'alarme de flux d'air/de filtre obstrué se déclenche lorsque vous simulez un flux d'air restreint de la manière suivante : le e3000X en marche, débranchez le flexible du casque et recouvrez de la paume de votre main propre l'extrémité du flexible ; le moteur accélère automatiquement afin de compenser le flux d'air faible. Laissez votre main pressée contre l'extrémité du flexible afin de le boucher parfaitement. Une fois que plus du tout d'air ne passe, l'appareil émet un signal sonore et le voyant rouge correspondant au filtre s'allume.
6. Pour arrêter l'alarme, appuyez sur le bouton marche/arrêt pendant 3 secondes environ et rebranchez le flexible au casque.
7. Vérifiez que le casque de protection n'est pas endommagé, enflemez-le et fixez le PAPR à votre taille.
8. Mettez le ventilateur en marche et assurez-vous que l'air circule normalement dans le casque de protection.

En cas de dommage, remplacez toute pièce défectueuse avant d'utiliser le PAPR.

Fonctionnement

Réglage de la ceinture : Enfilez la ceinture (figure 6) et réglez-la de sorte que l'unité de ventilation repose confortablement sur votre hanche.

Démontage du flexible à air : Appuyez de part et d'autre du raccord du flexible et retirez-le de la contre-pièce (figure 7).

Mise en place de l'accu : Insérez l'accu dans le rail prévu à cet effet, situé dans la partie inférieure droite du e3000X. Faites-le glisser jusqu'à ce que vous entendiez un clic d'enclenchement (figure 8).

Retrait et rechargement de l'accu : Tirez la poignée permettant d'ôter le capot et faites glisser l'accu sur le rail afin de le libérer complètement du ventilateur (figure 9). Raccordez-le ensuite au chargeur (figure 10). La mise en charge est indiquée par un voyant jaune sur le chargeur. Une fois le chargement terminé, le voyant devient vert et le mode de chargement restreint est activé. Vérifiez que la tension dans la prise correspond à la tension spécifiée du chargeur.

ATTENTION

- Les batteries Lithium Ion Optrel P/N 4553.020 ne peuvent être chargées qu'avec un chargeur Optrel (P/N 4551.070) à l'aide de la prise américaine. L'utilisation d'autres chargeurs peut provoquer des explosions pouvant entraîner des blessures voire la mort.
 - Les chargeurs Optrel (n° de réf. 4551.070) sont conçus pour une utilisation en intérieur uniquement et ne doivent pas être exposés aux éléments extérieurs. Ne chargez pas la batterie à une température inférieure à 32 ° F ou supérieure à 113 ° F (0 ° C à 45 ° C). Ne chargez pas la batterie à proximité de matériaux inflammables tels que des boîtes, du papier et des meubles.
 - La charge de la batterie doit être effectuée dans un endroit sûr et sans danger. Ne chargez pas et ne stockez pas la batterie à proximité de l'appareil de soudage.
 - N'exposez pas les piles au lithium ion à l'eau et ne les laissez pas se mouiller. Une exposition accidentelle du bloc-batterie à l'eau est acceptable à condition que les piles au lithium ionique restent sèches.
 - Ne pas démonter ni modifier les piles. Les batteries contiennent des dispositifs de sécurité et de protection qui, s'ils sont endommagés, peuvent générer de la chaleur, leur explosion ou leur inflammation.
- ATTENTION**
- Ne placez pas la batterie à la lumière directe du soleil et ne l'utilisez pas ou ne la stockez pas près d'une source de chaleur ou d'un arc électrique.
 - Le non-respect de ces avertissements peut entraîner des blessures graves, une

maladie grave ou la mort.

MISE EN GARDE

• Optrel recommande de charger la batterie et de l'entreposer à des températures comprises entre 4,5 et 26,7 °C (40 °F et 80 °F). La recharge à des températures plus élevées entraîne une réduction de la capacité et de la vie de la batterie.

• Faites preuve de prudence pour éviter la perforation ou la rupture des cellules.

• Si la batterie au lithium est endommagée, semble gonfler, fuit d'électrolyse ou devient anormalement chaude pendant le chargement, arrêtez immédiatement de l'utiliser et stockez-la dans un récipient ignifuge jusqu'à ce qu'elle puisse être recyclée.

• Ne laissez pas la batterie attachée au chargeur pendant plus de 70 heures.

Vérifiez l'état de la batterie: appuyez brièvement sur le bouton marche / arrêt et le voyant clignote. Vérifiez l'état de charge de la batterie sur l'échelle inférieure.

Réglage du flux : Le ventilateur dispose de trois niveaux de flux d'air : 170/210/240 L/min. Pour modifier le niveau du flux d'air, basculez entre les trois niveaux en appuyant sur le bouton de flux d'air, jusqu'à ce que vous obteniez le débit souhaité (figure 11).

Remplacement du filtre principal et du pré-filtre : En cas d'alarme de filtre, remplacez le pré-filtre (figure 12). Notez le temps entre deux changements de filtre. Comme pour tout remplacement d'un pré-filtre, la fréquence devrait être plus importante. Si vous estimez que cette fréquence est trop importante, ce dont vous êtes seul juge, il est recommandé de remplacer à la fois le filtre principal et le pré-filtre (figure 13).

Alarmes

Alarme filtre obstrué : Si l'alarme de filtre obstrué se déclenche, le voyant s'allume en rouge. Sans action, les niveaux de débit III et II passent à un niveau inférieur. Pour remplacer le pré-filtre et le filtre principal, appuyez pendant 2 secondes sur le bouton marche/arrêt afin d'éteindre le e3000X. Vous pouvez à présent remplacer les filtres. Si vous n'éteignez pas le e3000X pendant l'alarme, l'appareil reste actif pendant 15 minutes avant son extinction automatique.

Alarme accu : Si l'alarme accu se déclenche, le voyant s'allume en rouge. Le signal sonore émet un bip par seconde et l'appareil peut continuer à fonctionner pendant 30 minutes. Passé ce délai, le e3000X s'éteint.

Stockage

Le système e3000X et ses accessoires doivent être entreposés à l'abri de l'humidité, et protégés de la lumière solaire directe, des températures élevées, des hydrocarbures et des vapeurs de solvants.

Entretien

Vérifiez régulièrement le casque de sécurité conformément à la notice d'utilisation. Contrôlez l'absence de trous, fissures ou autres dommages sur le pare-visage ainsi que la buse d'air et que ces deux éléments sont correctement installés sur le casque (voir la notice d'utilisation). N'utilisez le système que lorsque toutes les pièces usées ou endommagées ont été remplacées.

Calendrier d'entretien	
Tâche	Système utilisé
Nettoyage, désinfection	Après chaque utilisation
Contrôle visuel	Avant et après chaque utilisation
Recharge de l'accu	Après chaque utilisation
Remplacement du joint entre le filtre principal et le ventilateur	Remplacer uniquement si le joint est usé ou endommagé, au moins une fois par an.

Pour une utilisation dans l'industrie et l'artisanat, optrel recommande que l'appareil soit entreposé au moins une fois par an par une société de service qualifiée Optrel.

Lors de l'entreposage de l'unité, l'accu doit être rechargé tous les quatre mois

Nettoyage et désinfection

Utilisez un chiffon doux humecté d'eau savonneuse pour nettoyer le ventilateur, le flexible à air et le casque de protection. Laissez l'unité sécher à température ambiante. N'utilisez pas de détergents agressifs, de solvants, l'alcool ou de nettoyeurs contenant des abrasifs. Le pare-visage est lavable (à la main, pas en machine).

Dépannage

Le ventilateur ne démarre pas

→ Vérifiez que l'accu est correctement installé.

→ Vérifiez que l'accu est entièrement chargé.

L'alarme du filtre reste active alors que le filtre principal et le pré-filtre ont été changés et correctement installés

→ Erreur interne au e3000X

→ Retournez le e3000X au revendeur le plus proche

L'autonomie de l'accu est insuffisante

→ Accu défectueux - remplacez l'accu défectueux et mettez-le au rebut en respectant les règles nationales relatives à l'élimination des déchets spéciaux

→ Chargeur défectueux - remplacez-le

Caractéristiques techniques (sous réserve de modifications techniques)

Facteur de protection nominale	Europe : Classification TH3P/TH2P Australie : Classification P3
Unité de ventilation	Débit : Niveau 1 : min. 170 L/min Niveau 2 : min. 210 L/min Niveau 3 : min. 240 L/min
Matériau	PC+ABS
Ventilateur	Montage sur roulement à billes haute qualité pour une longue durée de vie du moteur sans balais
Fusible	Fusible électronique
Accumulateur	Type : Li-Ion rechargeable Tension / capacité : 14,8V / 3,25Ah Cycles de charge : > 500 Durée de fonctionnement, 18 h niveau 1* Durée de fonctionnement, 16 h niveau 2* Durée de fonctionnement, 13 h niveau 3* Temps de chargement : Environ 5 h Poids : 420 g / 14,815 oz Couleur : noir * durée de fonctionnement minimale avec un filtre neuf, à température ambiante
Niveau sonore	Max. 70 dB(A)
Signaux d'alarme	alarme sonore et visuelle en cas de décharge de l'accu, de faible flux d'air ou de filtre manquant
Filtre	1 filtre type TH3P R SL pour système TH3P (Europe) / TH3P (Australie)
Flexible d'air	Longueur : 1160 mm (allongement jusqu'à 1300 mm avec manchon de protection) Diamètre : 31 mm (interne) Poids : 185 g / 6,526 oz (sans manchon de protection) Couleur : noir
Poids	1195 g / 42,152 oz (avec filtre et ceinture, sans accu)
Dimensions	L x l x H : 222 x 213 x 92,6 mm
Normes	EN 12941:1998/A2:2008, EAC TP TC 019/2011, AS/NZS 1716
Organisme de contrôle	CE 1024

Pièces de rechange (voir la jaquette I, II, III, IV)

- 1 e3000X PAPP
- 2 Filtre principal TH3P R SL pour système TH3P (Europe) / système TH3P (Australie)
- 3 Pré-filtre
- 4 Protection des étincelles
- 5 Capot de filtre
- 6 Accu standard (Li-Ion 48 Wh)
- 7 Casque compatible PAPP
- 9 Flexible
- 10 Manchon de protection du flexible (accessoire, non inclus)

Pour plus d'accessoires, veuillez vous reporter à notre catalogue général ou à notre site Internet.

Explication des symboles (voir la jaquette)

- A Lire la notice avant utilisation
- B Ne pas ouvrir avec un objet coupant
- C Contenu fragile
- D Entreposer en plaçant ce côté au-dessus
- E Mettre à l'abri de l'humidité
- F Label de l'organisme de contrôle (protection respiratoire)
- G Label de l'organisme de contrôle EAC (Russie)
- H Label de l'organisme de contrôle (protection des yeux)
- I Contient des ions lithium
- J Plastique recyclable
- K Température de stockage recommandée : +5 °C to +25 °C
- L Ne doit pas être traité comme un déchet ménager. Respecter les normes nationales relatives à l'élimination des déchets spéciaux.

Certificat de conformité

Voir l'adresse Internet à la dernière page.

Informations légales

Le présent document est conforme aux exigences de la Réglementation UE 2016/425 point 1.4 de l'Annexe II.

Organisme notifié

Voir les informations détaillées à la dernière page.

Einführung

Ein Gebläsefiltergerät versorgt einen zugelassenen Schweiß- oder einen Schweißhelm (Schutzhelm) mit gefilterter Frischluft. Bei korrekter Anwendung wird der Benutzer gegen Staub und Partikel in der Atemluft geschützt.

Sicherheitsanweisungen

Lesen Sie diese Bedienungsanleitung sorgfältig durch, bevor Sie das Gerät verwenden. Unsachgemäße Verwendung kann Leben und Gesundheit gefährden und zum Erlöschen jeglicher Garantie- und Haftungsansprüche gegen Optrel führen.

Warnhinweise und Schutzbeschränkungen / Risiken

Tragen Sie den Schutzhelm nur, wenn er mit dem Gebläse verbunden ist und das Gebläse in Betrieb ist. Das Gebläse darf nur in Verbindung mit Atemschutzgeräten verwendet werden, die den Anforderungen der Europäischen und Australischen Normen entsprechen. Dieses Gebläsefiltergerät (PAPR) schützt nicht gegen gasförmige Stoffe. Legen Sie das Gerät an und schalten Sie es ein, bevor Sie mit der Arbeit beginnen, erst dann kann der Gefahrenbereich sicher betreten werden. Verlassen Sie im Fall einer Fehlfunktion des Gebläses sofort den Gefahrenbereich. Sobald der Akku-Alarm (Aufleuchten der roten LED und akustisches Signal) aktiviert wird, müssen Sie den Gefahrenbereich sofort verlassen. Laden Sie den Akku auf oder ersetzen Sie diesen. Sobald der Luftstrom-Alarm (Aufleuchten der roten LED und akustisches Signal) aktiviert wird, müssen Sie sofort den Gefahrenbereich verlassen und den Filter austauschen.

Bei starkem Wind von der Seite oder von hinten kann die Schutzfunktion des Schutzhelms beeinträchtigt werden. In Umgebungen mit sehr hoher Partikelverschmutzung kann im Schutzhelm beim Einatmen ein Underdruck entstehen. Dies könnte die Schutzwirkung verringern. Setzen Sie den Schutzhelm in diesem Fall erst dann ab oder schalten Sie das Gebläse erst dann aus, wenn Sie den Gefahrenbereich verlassen haben. Wenn Sie den Schutzhelm absetzen, treffen Sie alle notwendigen Vorsichtsmaßnahmen, damit Sie keinen Staub oder kontaminiertes Material einatmen, das sich eventuell auf der Außenseite des Helmes abgelagert hat. Tauchen Sie das Gebläse oder den Akku nie unter Wasser, dies kann das Gerät beschädigen. Versichern Sie sich, dass während der Reinigung kein Wasser in das Gerät gelangt. Gebrauchte Filter können nicht gereinigt oder aufbereitet werden. Versuche, Filter mit Druckluft oder Wasser zu reinigen, können den Filter beschädigen. Schließen Sie den Akku nicht kurz; dies kann schwere Schäden verursachen.

Bei Gebrauch einer Schlauchhülle ist diese alle 6 Monate auszutauschen. Durch intensive UV und IR Bestrahlung, verliert die Schlauchhülle & Luftschlauch ihre flammhemmende Wirkung. Die Schlauchhülle ist vor jedem Gebrauch genau zu untersuchen, ob sich ausgebleichte, helle oder braune Stellen im Textil gebildet haben. Sobald helle oder matte Stellen sichtbar sind, darf die Schlauchhülle nicht mehr verwendet werden und muss ausgetauscht werden.

Das Gebläsefiltergerät darf nicht eingesetzt werden:

- in entzündlichen oder explosionsgefährdeten Atmosphären,
- bei zu geringem Sauerstoffgehalt der Atemluft (Europa: <17 %, Australien: <19 %) oder wenn eine so hohe Giftkonzentration vorliegt, dass eine höhere Schutzklasse als TH3P (Europa und Australien) benötigt wird,
- bei Temperaturen unter -5 °C oder über +55 °C,
- in Umgebungen, in denen unmittelbare Gefahr für Leben und Gesundheit besteht.

WARNUNG

- Ihr Arbeitgeber (oder Sie selber, wenn Sie keinen direkten Arbeitgeber haben) ist / sind dafür verantwortlich, dass dieses Atemschutzgerät für die Anwendung geeignet ist.
- Optrel kann nicht vorhersagen, was mit dem Atemschutzgerät in jeder möglichen Umgebung passieren wird. Materialien können chemisch angegriffen werden, wenn Sie einer unsachgemäßen Umgebung ausgesetzt werden, und können folglich übermäßige Korrosion oder andere Schäden aufweisen. Es können Gase, Flüssigkeiten oder Partikeln durch das Gehäuse dringen. Extreme Temperaturen können zu einer thermischen Zerstörung führen. Diese Merkmale, oder eine Kombination davon, könnte Bedingungen schaffen, unter denen diese Atemschutzmaske von Optrel nicht ausreichend schützt und gefährlich sein könnte.
- Bevor Sie eine gefährliche Umgebung betreten, müssen Sie sicherstellen dass die Ausrüstung dieser genügt. Die Anschätzung soll gut dokumentiert werden. Wenden Sie sich gegebenenfalls an einen zertifizierten Sicherheitsexperten oder Industriehygieniker. VERWENDEN Sie dieses Gerät NICHT, wenn der Benutzer in irgendeiner Weise durch umweltbedingte Zersetzung der Materialien im Gerät gefährdet werden könnte.
- Alle Personen, die dieses Atemschutzgerät verwenden, müssen sich 16

der Einschränkungen bewusst sein. Optrel kann nicht für Sachschäden, Körperverletzungen oder Tod verantwortlich gemacht werden, bei denen die Umwellexposition ein Faktor ist.

- Verwenden Sie dieses Atemschutzgerät nicht, wenn sich zwischen der Gesichtsmaske des Helmes und Ihrem Gesicht etwas befindet (z. B. Haarzopf, Bandana, Kopfbedeckung usw.). Dies verhindert eine gute Helmbabdichtung und ermöglicht das Eintreten von Verunreinigungen in den Helm. Das Produkt kann als Barträger verwendet werden und erfordert keinen Gesichtsanpassungstest.
- Verwenden Sie dieses Atemschutzgerät nicht in Umgebungen, in denen die Schadstoffkonzentrationen nicht bekannt sind oder unmittelbar gefährlich für Leben oder Gesundheit sind (IDLH). IDLH-Atmosphären sind definiert als:
 - a. Wenn der Träger für kurze Zeit nicht atmen kann.
 - b. Wenn der Träger nicht ohne die Hilfe eines Atemschutzgerätes entkommen kann.
 - c. Wenn eine sofortige oder verzögerte nachteilige Wirkung auf die Gesundheit haben kann.
- Verwenden Sie dieses Atemschutzgerät NIEMALS ohne Optrel HE-Filter, Bestellnr. 4088.100.
- Verwenden Sie dieses Atemschutzgerät nicht, wenn die Umgebungsbedingungen dazu führen könnten, dass der Atemschutzhelm verschoben oder verrutscht.
- Dieses Atemschutzgerät schützt nicht vor Gasen oder Dämpfen. Es dient nur zum Schutz vor partikelförmigen Verunreinigungen.
- Begeben Sie sich sofort in einen nicht kontaminierten Bereich wenn:
 - a. Sie eine Verunreinigung schmecken oder riechen oder wenn Ihre Augen, Nase, oder ihre Atemwege gereizt werden.
 - b. Das Atmen schwierig wird.
 - c. Die Luft, die Sie atmen, unangenehm warm wird.
 - d. Ihnen übel oder schwindelig wird.
 - e. Sie einen Luftstromverlust oder -abfall bemerken.
 - f. Der Helm sich verschiebt, rutscht oder leckt.
 - g. Sie sich müde fühlen
- Dieses Atemschutzgerät schützt exponierte Bereiche des Körpers nicht. Einige Verunreinigungen können direkt durch die Haut aufgenommen werden, während andere die exponierten Bereiche reizen können.
- Dieses Atemschutzgerät bietet keinen Schutz vor schädlichen Geräuschen. Tragen Sie immer einen geeigneten Gehörschutz.
- Dieses Atemschutzgerät liefert keinen Sauerstoff. Verwenden Sie das Atemschutzgerät nicht in Atmosphären mit weniger als 17 % Sauerstoff (Europa), oder weniger als 19 % Sauerstoff (Australien).
- Dieses Atemschutzgerät darf nicht unter Wasser, zur Begasung, zur Brandbekämpfung, zum Strahlverfahren oder in Bereichen verwendet werden, in denen längere Zeit hohe Hitze oder Flammen mit dem Atemschutzgerät in Kontakt kommen könnten.
- Beatmungsgeräte, Zubehör und zugehörige Ausrüstung von Optrel dürfen nicht in Umgebungen verwendet werden, in denen möglicherweise Schadstoffkonzentrationen über dem unteren Explosionsgrad (UEG) liegen.
- Dieses Atemschutzgerät verringert das Einatmen von Verunreinigungen, beseitigt diese jedoch nicht vollständig. Bei einigen sensiblen Personen können Gesundheitsprobleme auftreten, auch dann wenn diese geringsten Mengen an Schadstoffen ausgesetzt sind. Dieses Atemschutzgerät verhindert nicht die Gesundheitsprobleme dieser Personen.
- Die Verwendung anderer als der in diesem Handbuch aufgeführten Komponenten oder die von Optrel autorisierten Komponenten oder die Modifizierung dieses Atemschutzgerätes oder Zubehör auf irgendeine Weise führt zum Erlöschen aller Garantien von Optrel und Haftungsansprüche für das Atemschutzgerät.
- Personen, die sensibilisiert sind, können eine starke Reaktion auf Chemikalien haben, die weit unter den zulässigen Grenzwerten liegen, wie zum Beispiel der zulässige Grenzwert der OSHA (PEL), der ACGIH-Grenzwert (TLV) oder die empfohlenen NIOSH-Grenzwerte (REL). Verwenden Sie dieses Atemschutzgerät NICHT, wenn Sie aufgrund einer früheren Exposition sensibilisiert wurden oder der Meinung sind, dass Sie gegenüber chemischen Stoffen (z. B. Isocyanate, Latex usw.) empfindlich oder allergisch sind, bis Sie die Freigabe eines Arztes erhalten.
- Lesen und befolgen Sie immer die Anweisungen im Sicherheitsdatenblatt für die Chemikalien, die sich im Arbeitsbereich befinden.
- Verwenden Sie das Produkt nicht, wenn Sie unter einer Hauterkrankung leiden (zum Beispiel Folliculitis oder Vitiligo), bis Sie von einem Arzt die Freigabe erhalten.
- Dieses Atemschutzgerät muss gemäß de Optrel-Anweisungen getragen und verwendet werden. Lassen Sie keinen Teil der Atemschutzmaske oder einen obligatorischen Schritt der Anleitung weg.
- Kein Atemschutzgerät bietet vollständigen Schutz vor allen Bedingungen. Bei

Notfällen ist äußerste Vorsicht geboten.

- Benutzer müssen dieses Atemschutzgerät nur gemäß den Anweisungen von Optrel reinigen und warten. Zubehör, das nicht von Optrel angeboten wird, kann die Leistung beeinträchtigen.
- Unterbrechen Sie die Anwendung, wenn Sie Hautreizungen oder Verfärbungen feststellen.
- Dieses Produkt bietet bei unsachgemäßer Verwendung möglicherweise keinen ausreichenden Schutz, was zu schweren Körperverletzungen, schwerer Krankheit oder zum Tod führen kann.
- Dieses Produkt darf nur von geschultem Fachpersonal verwendet werden.
- Verwenden Sie dieses Atemschutzgerät nicht, wenn es in einer kontaminierten Umgebung exponiert wurde, da sich Schmutzpartikel im Helminnen ansammeln und beim Anziehen der Gesichtsabdichtung eingeatmet werden können.
- Routinemäßig verwendete Atemschutzmasken müssen vor und nach jedem Gebrauch überprüft werden.
- Die Nichtbeachtung aller Warnhinweise kann zu schweren Verletzungen, schwerer Krankheit oder Tod führen.

Wenn Sie Fragen zur spezifischen Anwendung, Verwendung oder Eignung des e3000X-Systems haben, wenden Sie sich an den Kundendienst von Optrel.

Garantie und Haftung

Optrel repariert oder ersetzt das Produkt nach Bedarf, wenn innerhalb von 24 Monaten ab Kaufdatum ein Material- oder Herstellungsfehler auftritt, vorausgesetzt, dass das Produkt wie in der Bedienungsanleitung angegeben bestimmungsgemäß eingesetzt wurde. Die Garantie erlischt, wenn die Seriennummer abgeändert, entfernt oder unleserlich gemacht wurde oder das Produkt absichtlich beschädigt, nicht bestimmungsgemäß gebraucht, geöffnet oder modifiziert wurde. Die Garantie und Haftung erlischt ebenfalls bei falscher Anwendung, Verwendung von nicht-Originalersatzteilen oder mangelnder Wartung. Die Garantie deckt nur die Reparatur oder den Austausch von defekten Teilen. Optrel übernimmt unter keinen Umständen jegliche Haftung für allgemeine Ausfälle oder Folgeschäden.

Erwartete Lebensdauer

Der e3000X hat kein Verfallsdatum. Das Produkt kann verwendet werden, solange keine sichtbaren oder unsichtbaren Beschädigungen oder Funktionsstörungen auftreten.

Anwendungsbereich

Der e3000X ist ein Gebläsefiltergerät (PAPR) zum Schutz gegen Staub und Partikel. Dieses System ist TH3P-zertifiziert gemäß der Europäischen Norm EN 12941 und TH3P-zertifiziert gemäß der Australischen Norm AS/NZS 1716. Der e3000X wird verwendet, um den Atemprozess zu unterstützen. Dies vereinfacht das Einatmen und die Nutzer werden weniger schnell müde, im Vergleich zu einem passiven Filterungssystem. Das elektronische Durchflussregelungssystem überwatcht das Gebläse und gewährleistet einen konstanten Luftstrom von mindestens 170 L/min. Die effektive Betriebszeit des e3000X mit einem voll aufgeladenen Akku hängt vom Akkutyp und Filterzustand ab (siehe Tabelle „Technische Angaben“).

Bevor Sie die Inbetriebnahme durchführen

- Entfernen Sie vorsichtig die Verpackung.
 - Laden Sie den Akku vor dem ersten Gebrauch vollständig auf.
- Inspektionstabelle: Prüfen Sie, ob das Gerät dem Lieferumfang entspricht und keine Beschädigung aufweist. Wenn ein Schaden gefunden wird oder ein Teil fehlt, wenden Sie sich sofort an den Vertrieb. Verwenden Sie niemals ein beschädigtes oder unvollständiges Gerät. Bitte schauen Sie sich die folgenden Komponenten genau an:

KOMPONENTE	SUCHEN
Batterie	1. Stecker gebrochen. 2. Lose Batterieklappe oder beschädigter Stecker.
Schlauch	1. Löcher, Schnitte oder Abschürfungen. 2. Beschädigte Spirale.
Gürtel / Schultergurt	1. Schnitte, Kerben, Risse oder gebrochene Nähte. 2. Beschädigte Schmale. 3. Lose Teile.

Für alle Informationen zur Gesichtssabdichtung des Helmes, verwenden Sie bitte das Handbuch zur Gesichtssabdichtung.

Prüfung vor der Inbetriebnahme

Verstchern Sie sich vor jedem Gebrauch, dass der e3000X in einwandfreiem Zustand ist und gehen Sie wie folgt vor:

1. Stellen Sie sicher, dass das Funkenschgitter sowie der Haupt- und Vorfilter ordnungsgemäß installiert ist und dass der Entriegelungshebel die Abdeckung fest fixiert (die Abdeckung muss beim Schließen mit einem hörbaren Klicken einrasten) (Abb. 1).

Hinweis: Bei Anwendung im medizinischen Bereich darf das Funkenschgitter

und der Vorfilter aus hygienischen Gründen weggelassen werden.

2. Überprüfen Sie den Luftschlauch und den Luftanschluss auf Beschädigungen (Löcher, Risse, Schnitte usw.). Schließen Sie den Luftschlauch an den Helm und das Gebläse an, indem Sie den Schlauch auf das Gegenstück drücken, bis er mit einem hörbaren Klicken einrastet (Abb. 2).
3. Schalten Sie den e3000X ein, indem Sie den Ein/Aus-Knopf ca. 0,5 Sekunden lang drücken (Abb. 3). Während der 3-sekündigen Einschaltphase leuchten alle 5 LEDs auf (3 LEDs für die Einstellung der Luftstromstufe in Grün und 2 LEDs in Rot, von denen eine den Akku-Status und die andere den Filterzustand angibt – Abb. 4) und ein akustischer Alarm (3 Pieptöne) ertönt. Danach ist der e3000X betriebsbereit.
4. Zusätzlich führt der e3000X während der Einschaltphase einen Selbsttest durch, um sicherzustellen, dass das Gerät einen ausreichenden Luftstrom über 170 L/min erzeugt. Wenn die rote Filter-LED nach der 3-sekündigen Einschaltphase erlischt, wird ein Luftstrom von mindestens 170 L/min aufrechterhalten. Mithilfe eines eingebauten Strömungsmessers überwacht der e3000X während des gesamten Betriebs konstant den Luftstrom und hält ihn über 170 L/min.
5. Wie oben beschrieben verfügt der e3000X über einen sichtbaren und hörbaren Alarm (Abb. 5) für geringe Akku-Kapazität sowie fehlenden, verstopften oder falsch eingesetzten Filter. Bei einem Alarm ist der Gefahrenbereich unverzüglich zu verlassen!
Stellen Sie sicher, dass der Alarm für geringen Luftstrom/Filterverstopfung funktioniert, indem Sie wie folgt einen zu geringen Luftstrom simulieren. Entfernen Sie bei eingeschaltetem e3000X den Schlauch vom Helm und drücken Sie Ihren Handballen auf das Schlauchende. Der Motor beschleunigt daraufhin automatisch, um den geringen Luftstrom auszugleichen. Drücken Sie den Handballen weiter fest auf das Schlauchende, um es dicht zu verschließen. Wenn dies der Fall ist, gibt das Gerät einen akustischen Alarm aus und die rote Filter-LED leuchtet auf.
6. Um den Alarm zu stoppen, drücken Sie die Ein/Aus-Taste ca. 3 Sekunden lang und schließen Sie den Schlauch an den Schutzhelm an.
7. Verstchern Sie sich, dass der Schutzhelm unbeschädigt ist, setzen Sie ihn auf und schnallen Sie sich das PAPR um die Hüfte.
8. Starten Sie das Gebläse und stellen Sie sicher, dass die Luft im Schutzhelm normal zirkuliert.

Im Falle einer Beschädigung müssen die defekten Teile ersetzt werden, bevor das PAPR weiter benutzt werden darf.

Betriebsart

Gürtelgröße anpassen: Legen Sie den Gürtel an (Abb. 6) und stellen Sie die Größe so ein, dass die Gebläseeinheit bequem auf der Hüfte sitzt.

Luftschlauch entfernen: Drücken Sie den Schlauchanschluss an beiden Seiten ein und ziehen Sie ihn vom Gegenstück ab (Abb. 7).

Akku einsetzen: Der Akku muss in die entsprechende Führung an der rechten Unterseite des e3000X eingesetzt werden. Schieben Sie den Akku vor, bis er mit hörbarem Klicken einrastet (Abb. 8).

Akku entfernen und aufladen: Ziehen Sie den Entriegelungshebel am Akku zurück und schieben Sie den Akku auf der Führung vollständig aus der Gebläseeinheit (Abb. 9). Schließen Sie dann den Akku an das Ladegerät an (Abb. 10). Der Ladevorgang wird durch die gelb leuchtende LED am Ladegerät angezeigt. Wenn der Ladevorgang abgeschlossen ist, leuchtet die LED grün und der Erhaltungslademodus wird aktiviert. Stellen Sie sicher, dass die Spannung in der Steckdose der auf dem Ladegerät angegebenen Spannung entspricht.

WARNUNG

- Optrel Lithium-Ionen-Akkus 4553.020 dürfen nur mit einem Optrel-Ladegerät 4551.070 aufgeladen werden. Die Verwendung anderer Ladegeräte kann zu Explosionen führen, die zu Verletzungen oder zum Tod führen können.
- Optrel-Ladegeräte 4551.070 sind nur für den Einsatz im Innenbereich bestimmt und dürfen keinen Außenelementen ausgesetzt werden. Laden Sie den Akku nicht unter 0° C oder über 45° C. Laden Sie den Akku nicht in der Nähe von brennbaren Materialien wie Kästen, Papier und Möbeln auf.
- Das Aufladen der Batterie muss an einem sicheren, ungefährlichen Ort erfolgen. Laden oder lagern Sie den Akku nicht in der Nähe eines Schweißgeräts.
- Setzen Sie die Lithium-Ionen-Zellen niemals Wasser aus und lassen Sie sie diese nicht nass werden. Eine zufällige, kurzfristige Einwirkung von Wasser auf den Akku ist akzeptabel, vorausgesetzt die Lithium-Ionen-Zellen bleiben trocken.
- Zerlegen oder modifizieren Sie die Batterien nicht. Die Akkus enthalten Sicherheits- und Schutzvorrichtungen, die bei Beschädigung dazu führen können, dass die Akkus Wärme erzeugen, explodieren oder sich entzünden.

WARNUNG

• Setzen Sie den Akku nicht direktem Sonnenlicht aus und verwenden oder lagern Sie ihn nicht in der Nähe von Wärmequellen oder elektrischen Lichtbögen.

• Die Nichtbeachtung dieser Warnhinweise kann zu schweren Körperverletzungen, schweren Krankheiten oder zum Tod führen.

VORSICHT

• Optrel empfiehlt, den Akku bei Temperaturen zwischen 4,5 °C und 26,7 °C zu laden und zu lagern. Das Aufladen bei tieferen oder höheren Temperaturen führt zu einer Verringerung der Kapazität und verringert die Lebensdauer des Akkus.

• Seien Sie vorsichtig, um das Punktieren oder Zerreißen der Zellen zu verhindern.
 • Wenn der Lithiumakku beschädigt ist, anschwillt, Elektrolyte austritt oder während des Ladevorgangs ungewöhnlich heiß wird, stellen Sie die Verwendung sofort ein und lagern Sie die Batterie in einem feuerfesten Behälter, bis sie recycelt werden kann. Lassen Sie den Akku nicht länger als 70 Stunden am Ladegerät.

Akkustatus Anzeige: Drücken Sie kurz die Ein / Aus-Taste. Die LED blinkt. Überprüfen Sie den Ladezustand der Batterie an der unteren Skala.

Luftstrom einstellen: Das Gebläse verfügt über drei Luftstromstufen: 170/210/240 L/min. Um die Luftstromstufe zu ändern, drücken Sie die Luftstromtaste und durchlaufen Sie die verschiedenen Stufen, bis die gewünschte Stufe erreicht ist (Abb. 11).

Hauptfilter und Vorfilter ersetzen: Wenn ein Filteralarm ausgegeben wird, muss der Vorfilter ausgewechselt werden (Abb. 12). Bitte überwachen Sie die Zeit zwischen den Filteralarmen. Diese wird nach jedem Austausch des Vorfilters kürzer. Wenn Sie den Eindruck haben, dass die Wechselintervalle zu kurz werden (hängt von Ihrem Empfinden ab), wird empfohlen, den Hauptfilter und den Vorfilter auszuwechseln (Abb. 13).

Alarmfunktion

Filterverstopfungsalarm: Wenn der Filterverstopfungsalarm aktiviert wird, leuchtet die LED rot. Ohne Aktion ändern sich die Durchflussniveaus III und II um eins nach unten. Wenn Sie den Vorfilter und den Hauptfilter auswechseln möchten, drücken Sie die Ein/Aus-Taste 2 Sekunden lang, um den e3000X auszuschalten. Jetzt können Sie die Filter auswechseln.

Akku-Alarm: Wenn der Akku-Alarm aktiviert wird, leuchtet die LED rot. Im Sekundenabstand wird ein Piepton ausgegeben, und das Gerät kann noch ca. 30 Minuten verwendet werden.

Lagerung

Das e3000X-System und das Zubehör müssen an einem trockenen Ort gelagert werden. Schützen Sie es vor Sonnenlicht, hohen Temperaturen, Kohlenwasserstoffen und Lösungsmitteldämpfen.

Wartung

Überprüfen Sie den Schutzhelm regelmäßig entsprechend der Bedienungsanleitung. Überprüfen Sie die Gesichtsbündigung und die Luftdüse auf Löcher, Risse oder andere Beschädigungen und stellen Sie sicher, dass die Teile am Helm richtig positioniert sind (siehe Bedienungsanleitung). Verwenden Sie das System nicht, bevor alle abgenutzten oder beschädigten Teile ersetzt wurden.

Empfohlener Wartungsplan	
Maßnahme	Häufigkeit
Reinigung, Desinfektion	Nach jedem Gebrauch
Sichtprüfung	Vor und nach jedem Gebrauch
Akku laden	Nach jedem Gebrauch
Dichtung zwischen Hauptfilter und Gebläseeinheit ersetzen	Bei Verschleiss oder Beschädigung, jedoch mindestens 1x jährlich
Wartung entsprechend der DGUV Regel 112-190 , Absatz 3.3. Wartungs-, Reparatur- und Ersatzmaßnahmen	Jährlich

Die jährliche Wartung ist durch einen von Optrel qualifizierten Fachbetrieb (Optrel ServicePartner) durchzuführen.

Wenn das Gerät gelagert wird, muss der Akku alle 4 Monate aufgeladen werden.

Reinigung und Desinfektion

Reinigen Sie das Gebläse, den Luftschlauch und den Schutzhelm mithilfe eines mit Seifenwasser befeuchteten Tuchs. Lassen Sie das Gerät bei Raumtemperatur trocknen. Verwenden Sie keine aggressiven Reinigungs- und Lösungsmittel, keinen Alkohol und keine schleimmittelhaltigen Reinigungsmittel. Die Gesichtsbündigung ist waschbar (Handwäsche, nicht schleudern).

Störungshilfe

Gebläse schallt sich nicht ein

→ Sicherstellen, dass der Akku richtig eingesetzt ist.

→ Sicherstellen, dass der Akku voll geladen ist.

Filteralarm ist aktiviert, obwohl der Vor- und Hauptfilter ausgewechselt wurden und ordnungsgemäß montiert sind

→ Interner e3000X-Fehler

→ e3000X-System an nächstgelegenen Optrel-Händler zurücksenden.

Akkuladefekt ist zu kurz

→ Akku defekt – Akku ersetzen und den defekten Akku als Sondermüll entsorgen.

→ Ladegerät defekt – ersetzen.

Technische Angaben (Technische Änderungen vorbehalten.)

Nennschutzfaktor	Europa: TH3P/TH2P-Einstufung (siehe Seite VI) Australien: P3-Einstufung
Gebläseeinheit	Luftstromraten: Stufe 1: mind. 170 L/min Stufe 2: mind. 210 L/min Stufe 3: mind. 240 L/min
Material	PC + ABS
Lüfter	Qualitativ hochwertiger, kugelgelagerter Ventilatormotor
Sicherung	Elektronische Sicherung
Akku	Typ: Lithium-Ionen, aufladbar Spannung / Kapazität: 14,8 V / 3,25 Ah Ladezyklen: > 500 Betriebszeit Stufe 1* 18 Stunden Betriebszeit Stufe 2* 16 Stunden Betriebszeit Stufe 3* 13 Stunden Ladedauer: ca. 5 Stunden Gewicht: 420 g / 14,815 oz Farbe: schwarz * Mindestbetriebszeit bei Raumtemperatur mit einem neuen Filter
Geräuschpegel	Max. 70 dB(A)
Warnsignale	Akustischer und visueller Alarm bei schwachem Akku, verstopftem oder fehlendem Filter und geringem Luftstrom
Filter	1 x Typ TH3P R SL für TH3P-System (Europa) / TH3P-System (Australien)
Luftschlauch	Länge: 1160mm (elastisch bis 1300 mm mit Schutzhülle) Durchmesser: 31 mm (innen) Gewicht: 185 g / 6,526 oz (ohne Schutzhülle) Farbe: schwarz
Gewicht	1195 g / 42,152 oz (inkl. Filter und Gürtel, ohne Akku)
Abmessungen	L x B x H: 222 x 213 x 92,6 mm
Normen	EN 12941, EAC TP TC 019/2011, AS/NZS 1716
Benannte Stelle	CE 1024

Lieferumfang/Ersatzteile (siehe Seite I, II, III, IV)

- e3000X PAPER
- Hauptfilter TH3P R SL Filter für TH3P-System (EU) / TH3P-System (AUS)
- Vorfilter
- Funkenschutz
- Filterabdeckung
- Akku (Lithium-Ionen 48 Wh)
- Schutzhülle für Luftschlauch (Zubehör, nicht enthalten)
- Schlauch
- PAPR-kompatibler Schutzhelm
- Schutzhülle für Luftschlauch (Zubehör, nicht enthalten)

Weiteres Zubehör finden Sie im Hauptkatalog oder auf unserer Website.

Zeichenerklärung (siehe Seite VI)

- Vor Gebrauch Bedienungsanleitung lesen
- Nicht mit scharfen Gegenständen öffnen
- Zerbrechlicher Inhalt
- Mit dieser Seite nach oben lagern
- Vor Feuchtigkeit schützen
- Kennzeichen der benannten Stelle (Atemschutz)
- Prüfzeichen EAC (Russland)
- Kennzeichen der benannten Stelle (Augenschutz)
- Enthält Lithium-Ionen
- Kunststoff, recycelbar
- Empfohlene Lagertemperatur: +5 °C bis +25 °C
- Darf nicht im Hausmüll entsorgt werden. Als Sondermüll entsorgen.

Konformitätserklärung

Siehe Internet-Adresse auf der letzten Seite dieses Handbuchs.

Rechtliche Informationen

Dieses Dokument entspricht den Anforderungen der EU-Verordnung 2016/425 Punkt 1.4 von Anhang II.

Benannte Stelle

Detaillierte Informationen siehe letzte Seite dieses Handbuchs.

Svenska

Inledning

Ett fläktassisterade filterskydd är en anordning som är avsedd för att förse en i kombination med denna anordning godkänd svets- eller sliphjälm (skyddshjälm) med filtrerad frisk luft. Om denna bruksanvisning samt den använda skyddshjälmens bruksanvisning följs skyddas användaren mot damm och partiklar i andningsluften.

Säkerhetsinstruktioner

Läs dessa instruktioner noggrant innan du använder utrustningen. Felaktig användning medför risk för skador och kan göra eventuella garantianspråk gemenot Oprel ogiltiga.

Varningar och säkerhetsbegränsningar / risker

Använd endast skyddshjälmen om den är ansluten till bläsenheten och bläsenheten är aktiverad. Bläsenheten får endast användas tillsammans med andningsapparater som uppfyller de krav som ställs enligt europeisk och australiensisk standard. Denna PAPR-enhet ger inget skydd mot ämnen i gasform. Ta på enheten och starta den innan du påbörjar arbetet. Endast då är det säkert att beträda farozonen. Lämna farozonen omedelbart om bläsenheten inte fungerar korrekt. När batterivarningen aktiveras (den gula lysdioden börjar lysa och en ljudsignal hörs) måste du lämna farozonen omedelbart. Ladda eller byt ut batteriet. När luftflödesvarningen aktiveras (den röda lysdioden börjar lysa och en ljudsignal hörs) ska du lämna farozonen omedelbart och byta ut filteret.

En kraftig vind från sidan eller bakifrån kan påverka hjälmens skyddsförmåga. Vid extremt hög partikelförening i miljön, kan det uppstå ett mycket lågt tryck i hjälmen vid inandning. Även detta kan minska skyddet. I så fall, ta inte av hjälmen och stäng inte av bläsenheten förrän du har lämnat farozonen. När du tar av dig hjälmen, vitta alla nödvändiga försiktighetsåtgärder för att förhindra inandning av damm eller giftigt material som har ansamlats på hjälmens utsida. Sänk aldrig ner bläsenheten eller batteriet i vatten, då detta kan skada enheten. Se till att inget vatten tränger in i enheten när du rengör den. Använda filter kan inte rengöras eller återanvändas. Rengöring av filter med tryckluft eller vatten skadar filter. Kortslut aldrig batteriet. Detta kan orsaka dödliga skador.

Luftslangen skyddsduk bör bytas varje 6 månader. Genom intensiv UV- och IR-strålning, hylsan förlora sin effekt flamskyddsmedel. Skyddshylsan bör undersökas noggrant innan varje användning. Vase sig matt eller ljusa fläckar har bildats i textil. När ljusa eller matta fläckar är synliga, kan hylsan inte längre användas och bytas ut.

PAPR får inte användas,

- i lättantändlig eller explosiv miljö,
- om inandningsluften har låg syrehalt (Europa: < 17 %, Australien: < 19 %) eller vid en giftkoncentration som är så hög att en skyddsklass som överstiger TH3P (Europa och Australien) är nödvändig,
- vid temperaturer under -5 °C eller över +55 °C,
- i miljöer där det finns omedelbar risk för kroppsskador.

VARNING

• Din arbetsgivare (eller om du inte har en arbetsgivare) är ansvarig för att fastställa att denna andningsapparat är lämplig för användarens önskan.

• Oprel kan inte förutsäga vad som kommer att hända med denna andningsskydd i varje potentiell miljö. Material kan kemiskt angripas om de utsätts för fel miljö och kan uppvisa överdriven korrosion eller andra former av skador. Permeering eller penetrering av gaser, vätskor eller partiklar genom materialet kan vara överdriven. Extremtemperaturer av temperatur kan orsaka termisk nedbrytning. Var och en av dessa saker, eller en kombination av dem, kan skapa förutsättningar där denna uppträkspray skulle vara farlig att använda.

• Innan du går in i en farlig miljö medan du bär andningsskydd måste du göra säkra, vetenskapliga test för att avgöra om miljön kan göra utrustningen osäker. Resultaten av denna testning bör vara väl dokumenterade. Sök hjälp av en certifierad säkerhetspersonal eller industriell hygienist. ANVÄND INTE denna utrustning om användaren skulle vara hotad på något sätt genom miljöframkallad nedbrytning av materialet i apparaten.

• Alla personer som använder denna upprel andningsapparat måste vara medvetna om sina begränsningar. Vi kan inte ansvara för skador på egendom, personskada eller dödsfall där miljöexponering är en bidragande faktor.

• Använd inte denna andningsapparat om något kommer mellan ansiktshjälmen och ansiktet (t.ex. hårflåta, bandana, huvudskydd, etc.). Detta villkor kommer att förhindra en bra hjälmförsegling och kan tillåta läckage av föroreningar i hjälmen. Produkten kan användas som skäggbärare och kräver inte ansiktsanpassningstest.

• Använd inte denna andningsskydd i miljöer där föroreningarna är okända eller omedelbart farliga för liv eller hälsa (IDLH). IDLH atmosfärer definieras som:

- a. De som bäraren inte kunde andas i korta perioder.
 - b. De där bäraren inte kunde fly ut hjälp av en andningsapparat.
 - c. De som har omedelbar eller försenad negativ inverkan på hälsan.
- Använd ALDRIG detta andningsskydd utan ett Oprel HE-filter, P / N 4088.100.

• Använd inte denna andningsskydd, där miljöförhållandena kan orsaka att respiratorns hjälm försvinner eller glider.

• Denna andningsskydd skyddar inte mot gaser eller ångor. Det är endast för skydd mot partikelformiga föroreningar.

• Omedelbart återgå till ett icke-förorenat område om:

- a. Du smaker eller luktar föroreningar eller om dina ögon, näsa eller hals blir irriterad.
- b. Andning blir svårt.
- c. Luften du andas blir obehagligt varm.
- d. Du känner dig illamående eller yr.
- e. Du märker en förlost eller minskning av luftflödet.
- f. Hjälmen rör sig, glider eller läcker.
- g. Du känner dig trött.

• Denna andningsskydd skyddar inte utsatta kroppsdelar. Vissa föroreningar kan absorberas direkt genom huden medan andra kan irritera utsatta områden.

• Denna andningsskydd ger inte skydd mot skadligt ljud. Använd alltid ordentligt öronskydd.

• Denna andningsapparat levererar inte syre. Använd inte andningsapparaten i atmosfärer innehållande mindre än 19 volymprocent syre.

• Denna andningsskydd får inte användas under vatten, för rökning, inbyggna av brandbekämpning, slipning av slipmedel eller i områden där långvarig varning av hög värme eller flammor kan komma i kontakt med andningsorganen.

• Respiators, tillbehör och tillhörande utrustning ska inte användas i atmosfärer som kan innehålla föroreningsmedelskoncentrationer över den lägre explosionsnivån (LEL).

• Denna andningsskydd kommer att minska, men eliminerar inte inandningen av föroreningar. Några känsliga individer kan uppleva hälsoproblem när de utsätts för jämnt små mängder föroreningar. Denna andningsskydd kommer inte att förhindra hälsoproblem för dessa personer.

• Sensibiliserade personer kan ha en allvarlig reaktion på kemikalier vid nivåer som ligger långt under godkända hälsonivåer, såsom OSHA Permissible Exposure Limit (PEL), gränsvärde för gränsvärden (ACGIH), gränsvärde (TLV) eller NIOSH Rekommenderade exponeringsgränser (REL). Använd INTE denna andningsapparat om du har varit sensibiliserad från tidigare exponering eller tro att du kan vara känslig eller allergisk mot någon kemikalie (t.ex. isocyanater, latex, etc.) tills du får clearance från en läkare.

• Läs alltid och följ anvisningarna i säkerhetsdatabladet för de kemikalier som finns i arbetsområdet.

• Använd inte, om du har ett tidigare existerande hudsjukdom (till exempel folliculit eller vitiligo) tills du erhåller clearance från en läkare.

• Denna andningsskydd måste bäras och användas enligt anvisningarna i Oprel. Lämna inte någon del av andningsorganet bort eller lämna ett obligatoriskt steg i instruktionerna.

• Ingen andningsskydd kan ge fullständig skydd från alla förhållanden. Var försiktig med nödsituationer.

• Användare måste bara rengöra och underhålla respiratorn i enlighet med Oprels instruktioner. Tillbehör som inte erbjuds av Oprel kan försämra prestanda och upphäva certifiering.

• Avbryt användningen om du upplever hudirritation eller missfärgning.

• Denna produkt kan ge mindre än tillräckligt skydd, om det används på ett verkligt sätt, vilket kan leda till allvarlig personskada, allvarlig sjukdom

eller dödsfall.

- Endast för utbildad kvalificerad personal.
- Använd inte andningsapparaten om den har lämnats i en förorenad miljö eftersom föroreningar kan samlas inuti hjälmen och inhaleras när gasmasken är donned.
- Använd rutinmässigt andningsskydd före och efter varje användning.
- FEL ATT OBSERVERA ALLA VARNINGAR KAN INNEHÅLLAS i allvarlig personskada, allvarlig sjukdom eller död.

Om du har frågor om specifik applikation, användning eller lämplighet för e3000X-systemet, kontakta försäljningsavdelningen på Optrel.

Garanti och ansvar

Optrel reparerar produkten eller ersätter den om nödvändigt vid fall av material- eller tillverkningsdefekter som uppstår inom 24 månader från inköpsdatumet, förutsatt att produkten har använts i enlighet med de angivna instruktionerna.

Garantin är ogiltig om serienumret har ändrats, avlägsnats eller gjorts oläsligt, samt om produkten med avsett har skadats, använts på ett felaktigt sätt, öppnats eller modifierats. Garantin förklaras även ogiltig om produkten används på ett felaktigt sätt, om andra än originalreservdelar används eller om den inte underhålls korrekt.

Garantin täcker endast reparationer och ersättning av defekta delar. Optrel tar under inga som helst omständigheter ansvar för allmänna stopp eller följskador.

Förväntad livslängd

e3000X har inget bäst-före-datum. Produkten kan användas så länge det inte finns några synliga eller icke synliga skador och så länge inga funktionsfel förekommer.

Användningsområde

e3000X är en eldriven luftreningsenhet (PAPR, Powered Air Purifying Respirator) för skydd mot damm och partiklar. Detta system är TH3P-certifierat enligt europeisk standard EN 12941: 1998 och TH3P-certifierat enligt australiensisk standard AS/NZS 1716: 2012.

e3000X används för att hjälpa luftväxlingsprocessen, den minskar ansträngningen att andas och därmed utmattnings- och trötthet. Det elektriska systemet för luftflödeskontroll övervakar bläsenheten för att garantera ett konstant flöde om minst 170 L/min.

Den effektiva drifttiden för e3000X med ett fulladdat batteri beror på batteritypen (se tabellen för tekniska specifikationer).

Innan du startar

- Ta försiktigt bort förpackningen på de olika delarna.
- Ladda batteriet helt före första användningen

Inspektionsbord:

Kontrollera om enheten är klar i enlighet med leveransomfånget och ingenting har skadats. Om någon skada upptäcks eller en del saknas, kontakta försäljningsavdelningen omedelbart. Använd aldrig en skadad eller ofullständig

enhet. Behaga en särskild titt på följande komponenter:

KOMPONENT	LETA EFTER
Batteri	1. Anslutare knäckt eller trasig. 2. Löst batterilocket lock eller skadad kontakt.
Slang	1. Hål, skår eller nötning. 2. Skadade spiraler.
Bälte / axel	1. Klipp, nicks, tårar eller brutna sömmar. 2. Skadad spänne. 3. Lös hårdvara.

För all information om e600 ansiktsbehandling, använd handbok för ansiktsföregling.

Förbesiktning och provning

Kontrollera före varje användning att e3000X är i felfritt skick och gå tillväga enligt följande:

1. Kontrollera om gnistfästaren, huvudfiltret och förfiltret är korrekt installerade och om huslåset är ordentligt inkopplat (höjlet måste stängas med ett klick) (Fig. 1). Obs: När det används inom det medicinska området kan gnistskydd och filter utelämnas av hygieniska skäl.
2. Kontrollera att luftslangen och luftanslutningen inte är skadad (hål, repor, skårar). Anslut luftslangen till hjälmen och bläsenheten genom att trä på slangen på motsvarande del av enheten tills du hör ett klickljud. Den ska då inte vara enkel att dra bort. (Fig. 2).

3. Starta e3000X genom att hålla inne på/av-knappen i cirka 0,5 sekunder. (Fig. 3). Uppstart tar cirka 3 sekunder och då lyser alla 5 lysdioder (3 gröna lysdioder för val av flödesnivå och 2 röda lysdioder, varav en visar batteristatus och den andra filterstatus (Fig. 4) och en ljudsignal (3 pip) hörs. Efteråt är e3000X klar att användas.
4. Under uppstartstiden utför e3000X dessutom en första självkontroll för att kontrollera att enheten levererar rätt flöde över 170 L/min. Om den röda filterlysdioden stängs av efter ovan nämnda 3 sekunder, så är flödet minst 170 L/min. Tack vare en inbyggd flödes sensor så styr och upprätthåller e3000X rätt flöde om minst 170 L/min genom hela driften.
5. Som nämnts ovan har e3000X en synlig och en hörbar varningssignal (Fig. 5) för lågt batteri samt saknat, tilltäppt eller felaktigt monterat filter. Om en varningssignal utlöses måste du lämna farozonen omedelbart! Kontrollera larm för lågt luftflöde/tilltäppt filter genom att simulera ett tillstånd med lågt luftflöde enligt följande:
När e3000X-enheten är påslagen, ta bort slangen från hjälmen och håll noggrant för slangens ände med en ren handflata; motorns varvfall kommer då automatiskt att öka och försöka kompensera för ett lågt luftflöde. Fortsätt att stadigt trycka handflatan mot slangens ände, och gör den helt tät. När den är helt tät, så ger enheten ifrån sig ett hörbart larm och den röda filterlysdioden kommer att kopplas till.
6. För att stoppa larmet, håll inne på/av-knappen i cirka 3 sekunder, och anslut slangen till hjälmen.
7. Kontrollera att säkerhetshjälmen är oskadad, ta på den och spänn fast PAPR-enheten mot höfterna.
8. Starta bläsenheten och kontrollera att luften i säkerhetshjälmen cirkulerar normalt.

Om du upptäcker någon skada måste du ersätta alla defekta delar innan du använder enheten.

Driftflåge

Justera bältesstorleken: Ta på bältet (Fig. 6) och justera storleken så att bläsenheten sitter bekvämt mot höfterna.

Avlägsna luftslangen: Tryck på slanganslutningens båda sidor och avlägsna den från motsvarande del (Fig. 7).

Installera batteriet: Batteriet måste föras in i respektive skena längst ned till höger på e3000X. Skjut in batteriet tills du hör ett klick (Fig. 8).

Borttagning och laddning av batteriet: Dra tillbaka batteriets skyddshandtag och dra ut det ur skenan tills det är helt borttaget från bläsenheten (Fig. 9). Ansluta sedan batteriet till laddaren (Fig. 10). Laddningsprocessen signaleras av att laddarens gula lysdioden lyser. Efter slutförd laddning så lyser lysdioden grönt, och underhållsladdning aktiveras. Kontrollera att spänningen i uttaget stämmer överens med laddarens angivna spänning.

VARNING

- Optrel P / N 4553.020 Litiumjonbatterier kan endast laddas med en upptrel laddare (P / N 4551.070) med US-kontakten. Användning av andra laddare kan orsaka explosioner som leder till skada eller dödsfall.
- Optrel-laddare (P / N 4551.070) är endast avsedda för inomhusbruk och får inte utsättas för utomhuselement. Ladda inte batteriet under 32 ° F eller över 113 ° F (0 ° C - 45 ° C). Ladda inte batteriet nära brandfarliga material som lädor, papper och möbler.
- Batteriladdning måste ske på ett säkert, oskadligt sätt. Ladda inte eller lagra batteriet i närheten av svetsapparaten.
- Utsätt inte litiumjoncellerna för vatten eller låt dem bli våta. Tillfällig exponering av batteripaketet till vatten är acceptabelt under förutsättning att litiumjoncellerna förblir torra.
- Demontera eller ändra inte batterierna. Batterierna innehåller säkerhets- och skyddsanordningar som, om de är skadade, kan orsaka att batterierna genererar värme, exploderar eller antänds.

VARNING

- Placera inte batteriet i direkt solljus eller använd eller förvara batteriet nära en värmekälla eller en elektrisk båge.
 - Underlåtenhet att följa dessa varningar kan leda till allvarlig personskada, allvarlig sjukdom eller dödsfall.
- VARNING
- Optrel rekommenderar att batteriet laddas och lagras vid temperaturer mellan 40 ° F och 80 ° F (4,5 ° C och 26,7 ° C). Laddning vid högre temperaturer medför en minskning av kapaciteten och sänker batteriets livslängd.
 - Var försiktig för att förhindra punktering eller bristning av celler.
 - Om litiumbatteriet är skadat, verkar svälla, läcker elektrolyser eller blir

onormalt varmt under laddning, sluta användningen omedelbart och förvara i en brandbeständig behållare tills den kan återvinnas.

• Lämna inte batteriet på laddaren i mer än 70 timmar.

Kontrollera batteristatus: Tryck kort på / av-knappen och lysdioden blinkar.

Kontrollera batteriladdningsstatusen på nedre skala.

Flödesjustering: Blåsenheten har tre luftflödesnivåer: 170/210/240 L/min. För att ändra luftflödesnivån, bläddra bland de olika flödesnivåerna genom att trycka på luftflödesknappen tills din önskade luftflödesnivå uppnås. (Fig. 11) Utbyte av huvudfilter och förfilter: Byt ut förfiltret när filterarmen varnar (Fig. 12). Kontrollera tiden mellan filterarmen. Efter varje förfilter som byts ut väntas denna tidsperiod bli kortare. Om du tycker att utbytesintervallet blir för kort, vilket är upp till användaren, så rekommenderar vi att du byter ut huvudfiltret och förfiltret. (Fig. 13)

Larmfunktion

Larm för tilltäppt filter: Om larmet för tilltäppt filter kopplas till, så lyser lysdioden rött. Utan åtgärder ändras flödesnivåerna III och II till en lägre. För att byta förfilter och huvudfilter, håll inne på/av-knappen i 2 sekunder för att stänga av e3000X. Nu kan du byta ut filtren. Om du inte stänger av e3000X vid larm, så kommer den att fortsätta i drift i ytterligare 15 minuter innan den stänger av automatiskt.

Batterilarm: Om batterilarmet kopplas till, så lyser lysdioden rött. Den hörbara varningssignalen kommer att avge ett ljud en gång per sekund, och enheten kommer att kunna användas i cirka 30 minuter. Efter denna tidsperiod stängs e3000X av.

Förvaring

e3000X-systemet och dess tillbehör måste förvaras på en torr plats. Förvaras skyddat från solljus, höga temperaturer, kolväten och ångor från lösningsmedel.

Underhåll

Kontrollera säkerhetshjälmen regelbundet enligt instruktionerna. Kontrollera att ansiktshöjdet och luftanslutningen inte har hål, sprickor eller andra skador, och kontrollera att de är korrekt monterade på hjälmen (se instruktionerna). Använd inte systemet förrän alla slitna eller skadade delar har ersatts.

Underhållsplan	
Aktivitet	System i drift
Rengöring, desinficering	Efter varje användning
Okulärbesiktning	Före och efter varje användning
Laddning av batteriet	Efter varje användning
Byt ut tätningen mellan huvudfiltret och blåsenheten	Byt endast ut om tätningen är slitet ut eller skadad, men minst en gång per år

Optrel rekommenderar att enheten betjänas minst en gång per år av ett Optrel-kvalificerat företag. Medan enheten är i förvaring måste batteriet laddas om en gång var fjärde månad.

Rengöring och desinfektion

Använd en ren trasa som fuktats med såpvatten, rengör blåsenheten, luftslangen och säkerhetshjälmen. Låt enheten torka i lufttemperatur. Använd inte starka rengöringsmedel, lösningsmedel, alkohol eller rengöringsmedel som innehåller slipmedel. Ansiktshöjdet kan tvättas (för hand, snurra det in). Felsökning

Blåsenheten startar inte

→ Kontrollera att batteriet är rätt monterat

→ Kontrollera att batteriet är fulladdat

Filtrets varningslampa tänds även att huvudfiltret och förfiltret har byts ut och är rätt monterade

→ Internt e3000X-fel

→ Lämna tillbaka e3000X till din närmaste återförsäljare

Batteriets drifttid är väldigt kort

→ Defekt batteri – ersätt batteriet och avfallshandtera det använda batteriet enligt gällande nationella föreskrifter för specialavfall.

→ Defekt laddningsenhet – ersätt

Tekniska specifikationer

(Vi förbehåller oss rätten att utföra tekniska ändringar)

Nominell skyddsfaktor	Europa: TH3P-klassificering (TH2 hard hat)
	Australien: P3-klassificering

Blåsenhet	Genomflöde: Nivå 1: min. 170 L/min Nivå 2: min. 210 L/min Nivå 3: min. 240 L/min
Material	PC + ABS
Blåsanordning	Högkvalitativ, borstlös kullagermotor med lång livslängd
Säkring	Elektronisk säkring
Batteri	Typ: Li-Ion, uppladdningsbar Spänning/kapacitet: 14,8 V/3,25 Ah Laddningscykler: > 500 Drifttid nivå 1* 18 tim Drifttid nivå 2* 16 tim Drifttid nivå 3* 13 tim Laddningstid: cirka 5 tim Vikt: 420 g/14,815 oz Färg: svart *min. drifttid gäller nytt filter i rumstemperatur
Bullernivå	Högst 70 dB(A)
Varningssignaler	optiskt och hörbart larm vid låg effekt, tilltäppt filter, inget filter och låg flödesnivå
Filter	1 x typ TH3P R SL för TH3P-system (Europa)/TH3P-system (Australien)
Luftslang	Längd: 1 160 mm (elastisk upp till 1 300 mm med skyddshölje) Diameter: 31 mm (insida) Vikt: 185g/6,526 oz (utan skyddshölje) Färg: svart
Vikt	1 195g/42,152 oz (inkl. filter och bälte, exkl. batteri)
Mått	LxBxH: 222 x 213 x 92,6 mm
Standarder	EN 12941:1998 /A2:2008, EAC TP TC 019/2011, AS/NZS 1716
Kontrollinstans	CE 1024

Reservdelar (se omslag I, II, III)

- e3000X PAPP
- Huvudfilter TH3P R SL-filter för TH3P-system (Europa)/ TH3P-system (Australien)
- Förfilter
- Gnistskydd
- Filterhölje
- Standardbatteri (Li-Ion 48 Wh)
- PAPR-kompatibel hjälm
- Slang
- Skyddshölje för luftslang (Tillbehör, ingår ej)
- Ytterligare tillbehör hittar du i huvudkatalogen och på vår hemsida.

Teckenförklaring (se omslag)

- Läs instruktionerna före användning
- Använd inte vassa föremål för att öppna förpackningen
- Ömtåligt innehåll
- Förvara med denna sida upp
- Skydda från fukt
- Kontrollinstansens märke (andningskydd)
- Kontrollinstansens märke EAC (Ryssland)
- Kontrollinstansens märke (ögonskydd)
- Innehåller litiumjoner
- Plast, kan återanvändas
- Rekommenderad förvaringstemperatur: +5 °C till +25 °C
- Får ej sopsorteras med hushållsavfall. Avfallshandtera i enlighet med nationella föreskrifter för specialavfall.

Försäkran om överensstämmelse

Se internetadressen på sista sidan.

Juridisk information

Detta dokument motsvarar kraven i EU-förordning 2016/425 punkt 1.4 i bilaga II.

Anmält organ

För detaljerad information se sista sidan.

Introduzione

Un dispositivo di filtrazione ventilatore è un dispositivo che serve ad alimentare un casco per saldatura o rettificata (casco protettivo) approvato insieme a tale apparecchio, con aria pulita filtrata. Seguendo le indicazioni del presente manuale e quelle del casco protettivo utilizzato, l'utilizzatore sarà protetto da polveri e particolato nell'aria respiratoria.

Istruzioni di sicurezza

Prima di usare l'equipaggiamento leggere attentamente queste istruzioni di funzionamento. L'uso sbagliato può mettere in pericolo la vita e gli arti e può rendere nulla qualsiasi richiesta di intervento in garanzia fatta a Optrel.

Avvertenze e limitazioni della protezione / Rischi

Indossare il casco di protezione solamente se collegato al compressore e se il compressore sta funzionando. Il compressore deve essere usato solamente se collegato con il respiratore che corrisponde ai requisiti degli standard europei e australiani. Questo PAPER non offre protezione contro le sostanze gassose. Indossare il dispositivo e accenderlo prima di iniziare a lavorare; solo in seguito è possibile entrare nella zona pericolosa in sicurezza. In caso di malfunzionamento del compressore, lasciare la zona pericolosa immediatamente. Non appena scatta l'avvertimento per la batteria (il LED rosso si accende e viene emesso un segnale acustico), è necessario lasciare la zona pericolosa immediatamente. Ricaricare o sostituire la batteria. Non appena scatta l'avvertimento per il flusso d'aria (il LED rosso si accende e viene emesso un segnale acustico), lasciare la zona pericolosa immediatamente e cambiare il filtro.

Un forte vento proveniente dai lati o posteriormente può pregiudicare la protezione fornita dal casco. Nel caso di carico operativo molto alto, la respirazione può causare una pressione molto bassa all'interno del casco. Questo può ridurre la protezione. In questo caso non bisogna rimuovere il casco o spegnere il compressore finché non si è fuori dalla zona pericolosa. Durante la rimozione del casco è necessario prendere tutte le misure precauzionali per evitare di inspirare polvere o materiale contaminato, eventualmente depositato sulla superficie esterna del casco. Mai immergere il compressore o la batteria nell'acqua; questo può danneggiare il dispositivo. Accertarsi che non entri l'acqua all'interno del dispositivo durante la pulizia. I filtri usati non possono essere puliti o riciclati. I tentativi di pulire i filtri con aria compressa o acqua possono danneggiarli. Mai mettere la batteria in corto circuito; questo può causare danni irreversibili. Il manico di protezione del tubo dell'aria dovrebbe essere sostituito ogni 6 mesi. Il manico perde infatti il suo potere ignifugo a causa delle intense radiazioni di infrarossi IR e UV. Prima di ogni utilizzo si deve quindi esaminare con attenzione il manico di protezione, per vedere se nel tessuto si sono formate macchie chiare od opache. Una volta accertata la presenza di macchie chiare od opache il manico non può più essere utilizzato e va sostituito.

I PAPER (Respiratori isolanti ad adduzione d'aria) non possono essere usati,

- in un'atmosfera esplosiva o infiammabile,
- se l'aria inspirata manca d'ossigeno (Europa: <17%, Australia: <19%) o se la concentrazione di tossine è così alta che si richiede una classe protettiva superiore rispetto a TH3P (Europa e Australia),
- con temperature inferiori ai -5 °C o superiori a +55 °C,
- in ambienti pericolo immediato per la vita e gli arti.

AVVERTIMENTO

• Il tuo datore di lavoro (o tu, se non hai un datore di lavoro) è / sono responsabile di stabilire che questo respiratore è adatto per l'applicazione dell'utente.

• Optrel non può predire cosa accadrà a questo respiratore in ogni ambiente potenziale. I materiali possono essere attaccati chimicamente se esposti all'ambiente sbagliato e possono presentare una corrosione eccessiva o altre forme di danneggiamento. La permeazione o la penetrazione di gas, liquidi o particelle attraverso i materiali potrebbe essere eccessiva. Gli estremi di temperatura potrebbero causare degrado termico. Ognuna di queste cose, o una combinazione di esse, potrebbe creare condizioni in cui questo respiratore Optrel sarebbe pericoloso da usare.

• Prima di entrare in un ambiente pericoloso mentre si indossa questo respiratore, è necessario condurre test scientifici sicuri per determinare se l'ambiente potrebbe rendere pericoloso l'equipaggiamento. I risultati di questo test dovrebbero essere ben documentati. Chiedi l'aiuto di un professionista della sicurezza certificato o di un igienista industriale. NON UTILIZZARE questa apparecchiatura se l'utente sarebbe in pericolo in qualsiasi modo attraverso il degrado dei materiali nell'ambiente indotto dall'ambiente.

• Tutte le persone che usano questo respiratore Optrel devono essere consapevoli dei suoi limiti. Non possiamo essere responsabili per eventuali danni a cose, lesioni personali o morte in cui l'esposizione ambientale è un fattore che contribuisce.

• Non utilizzare questo respiratore se qualcosa si trova tra il casco facciale e il viso (ad es. Capelli, bandana, copricapo, ecc.). Questa condizione impedisce una buona tenuta del casco e può consentire la fuoriuscita di contaminanti nel casco.

• Non utilizzare questo respiratore in ambienti in cui le concentrazioni di contaminanti sono sconosciute o sono immediatamente pericolose per la vita o la salute (IDLH). Le atmosfere IDLH sono definite come:

- a. Quelli che chi li indossa non potevano respirare per brevi periodi.
 - b. Quelli da cui l'indossatore non poteva sfuggire senza l'aiuto di un respiratore.
 - c. Quelli che hanno un effetto negativo immediato o ritardato sulla salute.
- Non usare MAI questo respiratore senza un filtro HE Optrel, codice 4088.100.
 - Non utilizzare questo respiratore in presenza di condizioni ambientali che potrebbero causare la rimozione o lo slittamento del casco del respiratore.
 - Questo respiratore non protegge da gas o vapori. È solo per la protezione contro i contaminanti particolati.
 - Ritornare immediatamente in un'area non contaminata se:
 - a. Sapore o odore di contaminanti o se i tuoi occhi, il naso o la gola si irritano.
 - b. Respirare diventa difficile.
 - c. L'aria che stai respirando diventa scomodamente calda.
 - d. Ti senti nausea o vertigini.
 - e. Si nota una perdita o una diminuzione del flusso d'aria.
 - f. Il casco si muove, scivola o perde.
 - g. Ti senti stanco.

• Questo respiratore non protegge le aree esposte del corpo. Alcuni contaminanti possono essere assorbiti direttamente attraverso la pelle mentre altri possono irritare le aree esposte.

• Questo respiratore non protegge dai rumori nocivi. Indossare sempre una protezione per l'udito adeguata.

• Questo respiratore non fornisce ossigeno. Non usare il respiratore dentro atmosfere contenenti meno del 19% di ossigeno in volume.

• Questo respiratore non deve essere utilizzato sott'acqua, per fumigazioni, interventi interni di lotta contro gli incendi, operazioni di sabbatura o in aree in cui una durata prolungata di alto calore o fiamme potrebbero entrare in contatto con il respiratore.

• I respiratori Optrel, gli accessori e le attrezzature associate non devono essere utilizzati in atmosfere che potrebbero contenere concentrazioni di agenti inquinanti al di sopra del livello di esplosività inferiore (LEL).

• Questo respiratore riduce, ma non elimina l'inalazione di contaminanti. Alcuni individui sensibili possono avere problemi di salute se esposti a quantità minime di contaminanti. Questo respiratore non previene problemi di salute per quegli individui.

• Le persone sensibilizzate possono avere una reazione grave alle sostanze chimiche a livelli ben al di sotto dei livelli di salute accettati come il limite di esposizione consentito (PEL) dell'OSHA, il valore limite di soglia ACGIH (TLV) o limiti di esposizione raccomandati dal NIOSH (REL). NON usare questo respiratore se è stato sensibilizzato a causa di una precedente esposizione o se si ritiene che possa essere sensibile o allergico a qualsiasi sostanza chimica (ad es. Isocianati, lattice, ecc.) Fino a quando non si ottiene l'autorizzazione da un medico.

• Leggere sempre e seguire le istruzioni elencate nella scheda di sicurezza del materiale per i prodotti chimici presenti nell'area di lavoro.

• Non utilizzare, se si dispone di una condizione della pelle preesistente (ad esempio, folliculitis o vitiligine) fino a quando non si ottiene l'autorizzazione da un medico.

• Questo respiratore deve essere indossato e utilizzato come specificato nelle istruzioni di Optrel. Non lasciare alcuna parte del respiratore o lasciare una fase obbligatoria delle istruzioni.

• Nessun respiratore può fornire una protezione completa da tutte le condizioni. Usare estrema cautela per le condizioni di emergenza.

• Gli utenti devono pulire e mantenere questo respiratore solo in conformità con le istruzioni di Optrel. Gli accessori non offerti da Optrel possono degradare le prestazioni e invalidare la certificazione.

• Interrompere l'uso in caso di irritazione o scolorimento della pelle.

• Questo prodotto può fornire una protezione inferiore all'adeguata se usato impropriamente, il che può causare gravi lesioni personali, gravi malattie o morte.

• Da utilizzare esclusivamente da personale qualificato.

• Non utilizzare questo respiratore se è stato lasciato esposto in un ambiente contaminato poiché i contaminanti potrebbero accumularsi all'interno del casco ed essere inalati quando si indossa la maschera antigas.

• I respiratori di routine devono essere ispezionati prima e dopo ogni utilizzo.

• IL MANCATO RISPETTO DI TUTTE LE AVVERTENZE PUÒ PROVOCARE GRAVI LESIONI PERSONALI, GRAVI MALATTIA O MORTE.

In caso di domande relative all'impiego specifico, l'uso o l'idoneità del sistema e3000X, contattare l'ufficio vendite di Optrel.

Garanzia & responsabilità

Oprel provvederà a riparare o sostituire il prodotto se necessario in caso di difetti dei materiali o di fabbricazione che emergano entro 24 mesi dalla data di acquisto, a condizione che il prodotto sia stato utilizzato in conformità all'uso autorizzato, come descritto nelle istruzioni di funzionamento. La garanzia perde la sua validità se il numero di serie è stato modificato, rimosso o reso illeggibile, oppure se il prodotto è stato intenzionalmente danneggiato, utilizzato in modo non conforme, aperto o modificato. La garanzia perde la sua validità anche nel caso in cui il prodotto venga utilizzato in modo errato, se si utilizzano pezzi di ricambio non originali o se non viene sottoposto correttamente a manutenzione. La garanzia copre solo le riparazioni o la sostituzione di parti difettose. In nessun caso Oprel provvederà a offrire una garanzia per avarie generali o danni indiretti.

Aspettativa di vita

Il e3000X non ha data di scadenza. Il prodotto può essere usato finché non ci siano danni visibili o invisibili o finché non si presentino problemi di funzionamento.

Settore di applicazione

Il modello e3000X è un respiratore isolante ad adduzione d'aria (PAPR) usato come protezione contro i granelli di polvere. Questo sistema è certificato TH3P in conformità allo standard europeo EN 12941:1998 e certificato TH3P in conformità allo standard australiano AS/NZS 1716:2012.

Il modello e3000X è usato come sostegno durante il processo di ventilazione, riducendo lo sforzo richiesto per respirare e, di conseguenza, riducendo la stanchezza. Il sistema elettronico di controllo del flusso d'aria controlla il compressore per assicurare un costante flusso d'aria di min. 170 L/min.

L'effettivo tempo di funzionamento del modello e3000X con una batteria completamente carica dipende dal tipo di batteria e dalle condizioni del filtro (vedi la tabella di specifiche tecniche).

Prima della messa in funzione iniziale

- Rimuovere con cura l'imballaggio delle varie parti.
- Caricare completamente la batteria prima del primo utilizzo

Tabella di controllo:

Controllare se l'unità è completa in conformità con l'ambito di consegna e nulla è stato danneggiato. Se viene rilevato un danno o manca una parte, contattare immediatamente il reparto vendite. Non utilizzare mai un'unità danneggiata o incompleta. Si prega di dare un'occhiata specifica ai seguenti componenti:

COMPONENTE	CERCARE
Batteria	1. Connettore incrinato o rotto. 2. Coperchio della custodia della batteria allentato o connettore danneggiato.
Tubo	1. Fori, tagli o abrasioni. 2. Spirali danneggiate.
Cintura / Tracolla	1. Tagli, crepe o cuciture rotte. 2. Fibbia danneggiata. 3. Hardware sciolto.

Per tutte le informazioni relative a e600 faceseal, si prega di utilizzare il manuale per la tenuta del viso.

Messa in funzione iniziale & utilizzo (vedere la copertina)

Prima di ogni utilizzo, accertarsi che il modello e3000X sia in perfette condizioni e procedere come segue:

1. Assicurarsi che il Protezione antiscintille e il filtro principale e il prefiltro siano installati correttamente e che la maniglia di rimozione del coperchio chiuda saldamente (il coperchio deve chiudere con uno scatto) (Fig. 1). Nota: se utilizzato in campo medico, la protezione antiscintille e il pre-filtro possono essere omessi per motivi igienici.
2. Verificare che non ci siano danneggiamenti (buchi, strappi, tagli) nel tubo dell'aria e nel connettore. Collegare il tubo dell'aria al casco e al compressore premendo il tubo sulla parte corrispondente del dispositivo fino a sentire uno scatto che assicura l'impossibilità di rimuoverlo con una leggera trazione. (Fig. 2).
3. Accendere l'e3000X premendo il pulsante on/off per almeno 0,5 secondi. (Fig. 3). Durante l'avvio, per circa 3 secondi, i 5 LED (3 LED verdi per la selezione del livello di flusso e 2 LED rossi, di cui uno per lo stato della batteria e l'altro per lo stato del filtro - Fig. 4) sono accesi e si sente un allarme acustico (3 bip). Successivamente, l'e3000X è pronto per l'uso.
4. Inoltre, durante l'avvio l'e3000X esegue un autocontrollo iniziale per garantire che il dispositivo sia in grado di fornire un flusso corretto superiore a 170 L/min. Se il filtro rosso LED si spegne dopo i 3 secondi prima menzionati, viene mantenuto un flusso di almeno 170 L/min. Un sensore di flusso integrato permette all'e3000X di controllare e mantenere continuamente un flusso corretto superiore a 170 L/min durante l'intero funzionamento.

5. Come accennato, l'e3000X è dotato di segnalazioni visive e acustiche (Fig. 5) in caso di bassa carica della batteria o assenza della batteria, intasato o installato in modo errato. Se si aziona l'allarme è necessario lasciare la zona pericolosa! Controllare l'allarme di basso flusso d'aria/intasamento del filtro simulando condizioni di basso flusso d'aria nel modo seguente:

Con l'e3000X acceso, rimuovere il tubo flessibile dall'elmetto e coprire saldamente l'estremità del tubo con il palmo di una mano pulita; il motore aumenta automaticamente la velocità tentando di compensare le condizioni di basso flusso d'aria. Continuare a premere il palmo della mano saldamente contro l'estremità del tubo flessibile sigillandola. Una volta sigillato, il dispositivo emette un allarme acustico e il LED rosso del filtro si accende.

6. Per interrompere l'allarme, tenere premuto il pulsante on/off per circa 3 secondi e collegare il tubo al casco.
7. Accertarsi che il casco di sicurezza non sia danneggiato, indossarlo e legare il PAPR con la cintura ai fianchi.
8. Accendere il compressore e accertarsi che l'aria all'interno del casco di sicurezza circoli normalmente.

Nel caso di qualsiasi tipo di danneggiamento è necessario sostituire le parti danneggiate prima di usare il PAPR.

Modalità di funzionamento

Regolazione della cintura: indossare la cintura (Fig. 6) e regolare la lunghezza in modo da avere il dispositivo di compressione d'aria posizionato comodamente sui fianchi. Rimozione del tubo dell'aria: premere l'attacco del tubo su entrambi i lati e rimuoverlo dalla parte corrispondente (Fig. 7).

Inserimento della batteria: la batteria deve essere inserita nell'apposita guida di scorrimento in basso a destra sull'e3000X. Spingere la batteria fino allo scatto (Fig. 8). Rimozione e caricamento della batteria: tirare indietro la maniglia di rimozione del coperchio sulla batteria ed estrarre la guida di scorrimento fino a rimuoverla completamente dal compressore (Fig. 9). Quindi, collegare la batteria al caricabatterie (Fig. 10). Il processo di ricarica è segnalato dal LED luminoso giallo sul caricabatterie. Una volta completata la ricarica, il LED diventa verde e si attiva la modalità di mantenimento della carica. Verificare che la tensione nella presa corrisponda alla tensione specificata del caricabatterie.

AVVERTIMENTO

- Le batterie agli ioni di litio Oprel P / N 4553.020 possono essere caricate solo con un caricabatterie Oprel (P / N 4551.070) utilizzando la spina americana. L'uso di altri caricabatterie potrebbe causare esplosioni con conseguenti lesioni o morte.
- I caricabatterie Oprel (N / P 4551.070) sono solo per uso interno e non devono essere esposti a elementi esterni. Non caricare la batteria a temperature inferiori a 32 ° F o superiori a 113 ° F (0 ° C - 45 ° C). Non caricare la batteria vicino a materiali infiammabili come scatole, carta e mobili.
- La carica della batteria deve essere effettuata in un luogo sicuro e non pericoloso. Non caricare o conservare la batteria in prossimità dell'apparecchio di saldatura.
- Non esporre le cellule agli ioni di litio all'acqua o lasciarle bagnare. L'esposizione accidentale del pacco batterie all'acqua è accettabile a condizione che le celle agli ioni di litio rimangano asciutte.
- Non smontare o modificare le batterie. Le batterie contengono dispositivi di sicurezza e protezione che, se danneggiati, possono causare il surriscaldamento, l'esplosione o l'accensione delle batterie.

AVVERTIMENTO

- Non posizionare la batteria alla luce diretta del sole o utilizzare o conservare la batteria vicino a una fonte di calore o arco elettrico.
 - La mancata osservanza di queste avvertenze può causare gravi lesioni personali, gravi malattie o morte.
- ATTENZIONE
- Oprel consiglia di caricare e conservare la batteria a temperature comprese tra 40 ° F e 80 ° F (4,5 ° C e 26,7 ° C). Caricare a temperature più elevate provoca una riduzione della capacità e riduce la durata della batteria.
 - Usare cautela per prevenire la puntura o la rottura delle cellule.
 - Se la batteria al litio è danneggiata, sembra gonfiarsi, perdere elettroliti o surriscaldarsi in modo anomalo durante la ricarica, interrompere immediatamente l'uso e conservarlo in un contenitore a prova di fuoco fino a quando non può essere riciclato.
 - Non lasciare la batteria collegata al caricabatterie per più di 70 ore.

Controllare lo stato della batteria: premere brevemente il pulsante On / Off e il LED lampeggerà. Controllare lo stato di carica della batteria sulla scala inferiore. Regolazione del flusso: il compressore ha tre livelli di flusso d'aria: 170/210/240 L/min. Per modificare il livello di flusso d'aria, far scorrere i diversi livelli di flusso d'aria premendo il pulsante per il flusso d'aria fino a raggiungere il livello desiderato. (Fig. 11)

Cambio del filtro principale e del prefiltro: sostituire il prefiltro se compare un'indicazione di allarme del filtro (Fig. 12). Controllare il tempo trascorso fra gli allarmi del filtro. A sostituzione del prefiltro si prevede che questo periodo di tempo si riduca. Se si ritiene che l'intervallo di sostituzione sia diventato troppo breve, a discrezione dell'utente, si consiglia di sostituire il filtro principale e il prefiltro. (Fig. 13)

Funzione di allarme

Allarme di intasamento del filtro: se si attiva l'allarme di intasamento del filtro, si accende la luce rossa del LED. Senza azione, i livelli di flusso III e II cambiano a uno inferiore. Per sostituire il prefiltro ed il filtro principale, tenere premuto il pulsante On/Off per 2 secondi per spegnere l'e3000X. Quindi è possibile sostituire i filtri. Se non si spegne l'e3000X durante l'allarme, il dispositivo continua a funzionare per altri 15 minuti prima di spegnersi automaticamente.

Allarme batteria: se si attiva l'allarme batteria, si accende la luce rossa del LED. La segnalazione acustica viene emessa una volta al secondo e il dispositivo è ancora in grado di funzionare per circa 30 minuti. Dopo questo periodo di tempo l'e3000X si spegne.

Magazzinaggio

Il sistema e3000X e i suoi accessori devono essere immagazzinati in un luogo asciutto. Tenere al riparo dalla luce solare, dalle temperature alte, da idrocarburi e vapori solventi.

Manutenzione

Controllo regolarmente il casco di sicurezza seguendo le istruzioni di funzionamento. Controllo se la guarnizione frontale dell'ugello dell'aria presenta fori, crepe o altri danni e verificane il corretto posizionamento sul casco (vedere istruzioni di funzionamento). Non usare il sistema finché tutte le parti usurate o danneggiate non sono state sostituite.

Programma di manutenzione	
Attività	Sistema in uso
Pulizia, disinfezione	Dopo ogni uso
Ispesione visiva	Prima e dopo ogni uso
Caricamento della batteria	Dopo ogni uso
Sostituire la guarnizione tra il filtro principale e il compressore	Sostituire solo se la guarnizione è usurata o danneggiata, ma almeno una volta all'anno

Opretl consiglia di eseguire la manutenzione del dispositivo almeno una volta all'anno da una società qualificata Opretl.

Se il dispositivo è in magazzino, la batteria deve essere ricaricata ogni 4 mesi. Pulizia e disinfezione

Utilizzare un panno pulito e inumidito con acqua e sapone per pulire il compressore, il tubo dell'aria e il casco di sicurezza. Lasciar asciugare il dispositivo a temperatura ambiente. Non usare detergenti aggressivi, solventi, alcool o sostanze detergenti che contengano materiali abrasivi. La guarnizione frontale è lavabile (lavare a mano, senza centrifuga).

Correzione problemi

Il compressore non parte

→ Assicurarsi che la batteria sia installata correttamente.

→ Assicurarsi che la batteria sia completamente carica

L'avvertimento per il filtro è attivo anche dopo aver cambiato e installato correttamente il filtro principale e il prefiltro

→ Errore interno dell'e3000X

→ Riportare l'e3000X al rivenditore più vicino

La durata della batteria è molto breve

→ Batteria difettosa – Sostituire e smaltire la batteria usata in conformità con le normative nazionali per i rifiuti speciali.

→ Caricabatterie difettoso – sostituire

Specifiche tecniche

(Il costruttore si riserva il diritto di apportare modifiche tecniche)

Fattore di protezione nominale	Europa: Classificazione TH3P (TH2 hard hat) Australia: Classificazione P3
Unità compressore	Flussi d'aria: Livello 1: min. 170 L/min Livello 2: min. 210 L/min Livello 3: min. 240 L/min
materiale	PC+ABS
Compressore	Motore brushless di lunga durata con cuscinetti a sfere di alta qualità
Fusibile	Fusibile elettronico

Batteria	<p>Tipo: Li-Ion ricaricabile</p> <p>Tensione/capacità: 14,8 V/3,25 Ah</p> <p>Cicli di ricarica: > 500</p> <p>Autonomia livello 1* 18 h</p> <p>Autonomia livello 2* 16 h</p> <p>Autonomia livello 3* 13 h</p> <p>Tempo di ricarica: circa 5 h</p> <p>Peso: 420 g/14,815 oz</p> <p>Colore: nero</p> <p>*l'autonomia minima si ottiene con il filtro nuovo a temperatura ambiente</p>
Livello sonoro	Max. 70 dB(A)
Segnali di avvertimento	Allarme acustico e visivo nel caso di batteria scarica, filtro intasato, mancanza di filtro e basso flusso d'aria
Filtro	1 x tipo TH3P R SL per sistema TH3P (Europa)/sistema TH3P (Australia)
Tubo dell'aria	<p>Lunghezza: 1160 mm (elastico fino a 1300 mm con guaina protettiva)</p> <p>Diametro: 31 mm (interno)</p> <p>Peso: 185 g/6,526 oz (senza guaina protettiva)</p> <p>Colore: nero</p>
Peso	1195 g/42,152 oz (con filtro e cintura, senza batteria)
Dimensioni	Lunghezza x larghezza x altezza: 222 x 213 x 92,6 mm
Standard	EN 12941:1998 /A2:2008, EAC TP TC 019/2011, AS/NZS 1716
Organismo notificato	CE 1024

Pezzi di ricambio (vedere coperchio I, II, III, IV, V))

- 1 PAPER e3000X
- 2 Filtro principale TH3P R SL per sistema TH3P (Europa)/ sistema TH3P (Australia)
- 3 Prefiltro
- 4 Protezione antiscintille
- 5 Coperchio del filtro
- 6 Batteria standard (Li-Ion 48 Wh)
- 7 Casco compatibile PAPER
- 9 Tubo flessibile
- 10 Guaina protettiva per il tubo dell'aria (accessorio, non incluso)

Ulteriori accessori sono disponibili nel catalogo principale oppure sul nostro sito Web.

Legenda (vedere coperchio)

- A Leggere le istruzioni di funzionamento prima dell'uso
 - B Non usare oggetti appuntiti per aprire
 - C Contenuto fragile
 - D Immagazzinare con questo lato in alto
 - E Proteggere dall'umidità
 - F Contrassegno dell'organismo notificato (protezione respiratoria)
 - G Contrassegno dell'organismo notificato EAC
 - H Contrassegno dell'organismo notificato (protezione per gli occhi)
 - I Contiene ioni di litio
 - J Plastica, riciclabile
 - K Temperatura di magazzino consigliata: da +5 °C a +25 °C
 - L Non smaltire con i normali rifiuti domestici. Smaltire in conformità con le normative nazionali per i rifiuti speciali.
- Dichiarazione di conformità
- Vedi indirizzo Internet sull'ultima pagina.
- Note legali
- Il presente documento corrisponde ai requisiti del regolamento UE 2016/425 punto 1.4 dell'allegato II.
- Organismo notificato
- Per informazioni dettagliate, vedi ultima pagina.

Introducción

El equipo de filtrado de aire es un dispositivo que sirve para proporcionar ventilación filtrada a cascos de soldadura o rectificado autorizados (cascos de protección) a los que se integre. Si el usuario respeta estas instrucciones y las del casco de protección empleado, este estará protegido de polvo y partículas del aire.

Instrucciones de seguridad

Lea estas instrucciones de funcionamiento cuidadosamente antes de usar el equipo. Un uso incorrecto podría poner en peligro la integridad física y la vida, y además podría anular cualquier reclamación de garantía contra Optrel.

Advertencias y limitaciones de la protección / riesgos

Utilice el casco de protección solamente si está conectado al generador de aire y el generador de aire está en funcionamiento. El generador de aire sólo se debe utilizar con un equipo de respiración que cumpla los requisitos de las normas europeas y australianas. Este PAPR no ofrece protección contra sustancias gaseosas. Conecte la unidad y enciéndala antes de empezar a trabajar; sólo así será seguro entrar en la zona de peligro. Si el generador de aire funciona mal, salga de la zona de peligro inmediatamente. Si se acciona la advertencia de la batería (el LED rojo se ilumina y se oye una señal acústica), deberá abandonar la zona de peligro inmediatamente. Recargue la batería o cámbiela. Si se acciona la advertencia de caudal de aire (el LED rojo se ilumina y se oye una señal acústica), abandone la zona de peligro inmediatamente y cambie el filtro.

Un fuerte viento lateral o trasero puede afectar a la protección que proporciona el casco. Si hay un grado muy alto de contaminación por partículas en el entorno, puede producirse una importante bajada de presión en el casco al respirar en él, lo que podría reducir la protección. En ese caso, no se quite el casco ni apague el generador de aire hasta que haya abandonado la zona de peligro. Al quitarse el casco, tome todas las medidas de seguridad necesarias para evitar aspirar polvo o material contaminado que pueda haberse acumulado en el exterior del casco. No sumerja nunca en agua el generador de aire ni la batería, ya que podría dañarse la unidad. Asegúrese de que no entre agua en la unidad al limpiarla. Los filtros usados no pueden limpiarse ni reciclarse. Si intenta limpiarlos con aire comprimido o agua, se dañarán. No cortocircuite nunca la batería, ya que al hacerlo podría provocar lesiones mortales. El PAPR no se debe utilizar:

- en una atmósfera inflamable o explosiva,
- si falta oxígeno en el aire inhalado (Europa: < 17%, Australia: <19%) o si la concentración de toxinas es tan alta que resulta necesaria una clase de protección superior a TH3P (Europa y Australia),
- en temperaturas inferiores a -5 °C o superiores a +55 °C,
- en entornos en los que haya un riesgo inmediato para la integridad física y la vida.

ADVERTENCIA

- Su empleador (o usted, si no tiene un empleador) es / es responsable de establecer que este respirador es adecuado para la aplicación del usuario.
- Optrel no puede predecir qué sucederá con este respirador en todos los entornos potenciales. Los materiales pueden ser atacados químicamente si se exponen al ambiente incorrecto y pueden presentar corrosión excesiva u otras formas de daño. La permeación o penetración de gases, líquidos o partículas a través de los materiales podría ser excesiva. Los extremos de temperatura pueden causar degradación térmica. Cada una de estas cosas, o una combinación de ellas, podría crear condiciones en las cuales sería peligroso usar este respirador Optrel.
- Antes de ingresar a un ambiente peligroso mientras usa este respirador, debe realizar pruebas científicas y seguras para determinar si el ambiente podría hacer que el equipo no sea seguro. Los resultados de esta prueba deben estar bien documentados. Busque la ayuda de un profesional de seguridad certificado o higienista industrial. NO UTILICE este equipo si el usuario estaría en peligro de alguna manera a través de la degradación inducida por el medio ambiente de los materiales en el aparato.
- Todas las personas que utilicen este aparato de respiración Optrel deben conocer sus limitaciones. No podemos ser responsables por ningún daño a la propiedad, lesiones personales o muerte en la cual la exposición ambiental sea un factor contribuyente.
- No use este respirador si hay algo entre el sello facial del casco y su cara (por ejemplo, pelo, pañuelo, cobertura para la cabeza, etc.). Esta condición evitará un buen sellado del casco y puede permitir la fuga de contaminantes en el casco.
- No use este respirador en ambientes donde las concentraciones de contaminantes son desconocidas o son inmediatamente peligrosas para la vida o la salud (IDLH). Las atmósferas IDLH se definen como:
 - a. Aquellos que el usuario no podía respirar por períodos cortos.

- a. Aquellos de los que el usuario no podría escapar sin la ayuda de un respirador.
 - c. Aquellos que tienen un efecto adverso inmediato o retardado en la salud.
- NUNCA use este respirador sin un filtro Optrel HE, N / P 4088.100.
 - No use este respirador donde las condiciones ambientales puedan hacer que el casco del respirador se salga o resbale.
 - Este respirador no protege contra gases o vapores. Es solo para la protección contra partículas contaminantes.
 - Regrese inmediatamente a un área no contaminada si:
 - a. Usted prueba u huele contaminantes o si sus ojos, nariz o garganta se irritan, segundo.
 - b. La respiración se vuelve difícil.
 - c. El aire que respiras se vuelve incómodamente cálido.
 - d. Siente náuseas o mareos.
 - e. Usted nota una pérdida o disminución en el flujo de aire.
 - f. El casco se mueve, resbala, o gotea.
 - g. Te sientes cansado.
 - Este respirador no protege las áreas expuestas del cuerpo. Algunos contaminantes pueden ser absorbidos directamente a través de la piel, mientras que otros pueden irritar las áreas expuestas.
 - Este respirador no proporciona protección contra ruidos dañinos. Siempre use protección adecuada para los oídos.
 - Este respirador no suministra oxígeno. No use el respirador en Atmósferas que contienen menos de 19% de oxígeno por volumen.
 - Este respirador no debe usarse bajo el agua, para fumigación, operaciones de extinción de incendios estructurales en interiores, operaciones de voladura abrasiva, o en áreas donde la duración prolongada de las altas temperaturas o las llamas puedan entrar en contacto con el respirador.
 - Los respiradores Optrel, los accesorios y el equipo asociado no deben usarse en atmósferas que puedan contener concentraciones de contaminantes por encima del nivel explosivo inferior (LEL).
 - Este respirador reducirá, pero no eliminará la inhalación de contaminantes. Algunas personas sensibles pueden experimentar problemas de salud cuando se exponen a cantidades mínimas de contaminantes. Este respirador no prevendrá problemas de salud a esas personas.
 - Las personas sensibilizadas pueden tener una reacción severa a los productos químicos a niveles muy por debajo de los niveles de salud aceptados, como el Límite de Exposición Permisible de OSHA (PEL), el Valor de Límite Umbral de ACGIH (TLV) o los Límites de Exposición Recomendados de NIOSH (REL). NO use este respirador si ha sido sensibilizado por una exposición previa o si cree que puede ser sensible o alérgico a cualquier producto químico (por ejemplo, isocianatos, látex, etc.) hasta que obtenga la autorización de un médico.
 - Siempre lea y siga las instrucciones enumeradas en la Hoja de datos de seguridad del material para los productos químicos presentes en el área de trabajo.
 - No lo use, si tiene una afección cutánea preexistente (por ejemplo, foliculitis o vitiligo) hasta que obtenga la autorización de un médico.
 - Este respirador se debe usar y usar como se especifica en las instrucciones de Optrel. No deje ninguna parte del respirador ni deje fuera un paso obligatorio de las instrucciones.
 - Ningún respirador puede proporcionar una protección completa contra todas las condiciones. Tenga mucho cuidado con las condiciones de emergencia.
 - Los usuarios deben limpiar y mantener este respirador solo de acuerdo con las instrucciones de Optrel. Los accesorios no ofrecidos por Optrel, pueden degradar el rendimiento y anularán la certificación.
 - Deje de usarlo si experimenta irritación o decoloración de la piel.
 - Este producto puede proporcionar una protección inferior a la adecuada si se usa incorrectamente, lo que puede resultar en lesiones personales graves, enfermedades graves o la muerte.
 - Para uso exclusivo de personal cualificado.
 - No use este respirador si se ha dejado expuesto en un ambiente contaminado, ya que los contaminantes podrían acumularse en el interior del casco y ser inhalado cuando se coloca la máscara de gas.
 - Los respiradores de uso rutinario deben inspeccionarse antes y después de cada uso.
 - EL INCUMPLIMIENTO DE OBSERVAR TODAS LAS ADVERTENCIAS PUEDE RESULTAR EN LESIONES PERSONALES GRAVES, ENFERMEDADES GRAVES O LA MUERTE.

Si tiene alguna pregunta sobre la aplicación específica, su uso o la adecuación del sistema e3000X, póngase en contacto con el departamento de ventas de Optrel.

Garantía y responsabilidad

Opretl reparará el producto o lo cambiará si es necesario, cuando aparezcan defectos en los materiales o de producción en un plazo de 24 meses a partir de la fecha de la compra, siempre que el producto se haya utilizado de acuerdo con el uso autorizado que prevén las instrucciones de funcionamiento.

La garantía quedará invalidada si se ha modificado o eliminado el número de serie o si está ilegible, o si el producto se ha dañado intencionadamente, se ha usado indebidamente, se ha abierto o ha sido modificado. La garantía también quedará invalidada si el producto se utiliza de forma incorrecta, si se utilizan piezas de recambio no originales o si no se hace bien el mantenimiento.

La garantía sólo cubre las reparaciones o el cambio de piezas defectuosas. En ninguna circunstancia se compromete Opretl a proporcionar garantía alguna por las averías generales o los daños derivados.

Vida útil

El e3000X no tiene fecha de caducidad. El producto se puede utilizar, siempre y cuando no se produzcan daños visibles o no visibles o problemas de funcionamiento.

Área de aplicación

El e3000X es un respirador purificador de aire autónomo (PAPR) que protege contra el polvo y las partículas. Este sistema tiene la certificación TH3P conforme a la norma europea EN 12941:1998 y la certificación TH3P conforme a la norma australiana AS/NZS 1716:2012.

El e3000X se utiliza como apoyo en el proceso de ventilación, reduciendo el esfuerzo necesario para respirar y, por tanto, el cansancio. El sistema electrónico de control del caudal de aire controla el generador de aire para garantizar un caudal constante mínimo de 170 L/min.

El tiempo de funcionamiento real del e3000X con una batería totalmente cargada depende del tipo de batería y del estado del filtro (véase la tabla de especificaciones técnicas).

Inspección y prueba antes de la puesta en funcionamiento

- Retire con cuidado el embalaje de las distintas partes.
- Cargue la batería completamente antes del primer uso

Mesa de inspección:

Compruebe si la unidad está completa de acuerdo con el alcance de la entrega y no se ha dañado nada. Si se encuentra algún daño o falta una pieza, póngase en contacto con el departamento de ventas inmediatamente. Nunca use una unidad dañada o incompleta. Por favor, eche un vistazo específico a los siguientes componentes:

COMPONENTE	BUSCAR
Batería	1. Conector agrietado o roto. 2. Tapa de la caja de batería suelta o conector dañado.
Manguera	1. Agujeros, cortes o abrasiones. 2. Espirales dañadas.
Arnés de cinturón / hombro	1. Cortes, muescas, desgarros o costuras rotas. 2. Hebilla dañada. 3. Hardware suelto.

Para toda la información sobre el sello facial e600, utilice el manual para el sello facial.

Inspección y prueba antes de la puesta en funcionamiento

Antes de que cada uso, asegúrese de que el e3000X esté en perfecto estado y proceda de la forma siguiente:

1. Verifique si el protección contra chispas, el filtro principal y el prefiltro están instalados correctamente y si el bloque de la carcasa está enganchado de forma segura (la cubierta de la carcasa debe cerrarse con un clic) (Fig. 1). Nota: Cuando se usa en el campo médico, la protección contra chispas y los prefiltros se pueden omitir por razones de higiene.
2. Compruebe si la manguera de aire y el conector de aire están dañados (orificios, desgarros, cortes). Conecte la manguera de aire al casco y al generador de aire apretando la manguera contra la parte correspondiente de la unidad hasta que se escuche un clic, lo que garantiza que ya no se puede extraer con un leve tirón. (Fig. 2).
3. Encienda el e3000X pulsando el botón on/off durante 0,5 segundos aproximadamente. (Fig. 3). En el arranque, durante unos 3 segundos se encienden los 5 LED (3 LED verdes para la selección de nivel de caudal y 2 LED rojos, de los que uno es para el estado de la batería y el otro para el estado del filtro - fig. 4) y se oye una alarma (3 pitidos). A continuación ya se puede usar el e3000X.
4. Además, durante este tiempo de arranque el e3000X hace una

autocomprobación inicial para garantizar que la unidad suministre el caudal correcto por encima de 170 L/min. Si el LED rojo del filtro se apaga después de los 3 segundos indicados, se mantiene al menos un caudal de 170 L/min. Gracias a un sensor de caudal incorporado, el e3000X controla y mantiene continuamente un caudal correcto por encima de 170 L/min durante todo el funcionamiento.

5. Como se ha indicado, el e3000X dispone de un avisador acústico y visual (fig. 5) que advierte del bajo nivel de la batería y de que falta el filtro o que está obstruido o mal colocado, ¡si se activa una alarma, se debe abandonar inmediatamente la zona de peligro!

Compruebe la alarma de bajo caudal de aire u obstrucción del filtro simulando una situación de bajo caudal de aire de la siguiente forma:

Con la unidad e3000X encendida, quite la manguera del casco y tape el extremo de la manguera firmemente con la palma de la mano limpia; a continuación el motor acelerará automáticamente, intentando compensar la situación de bajo caudal de aire. Siga presionando la palma de la mano firmemente contra el extremo de la manguera, intentando sellarla herméticamente. Cuando lo haya conseguido, la unidad emitirá una alarma acústica y se encenderá el LED rojo del filtro.

6. Para detener la alarma, pulse el botón on/off durante unos 3 segundos y conecte la manguera al casco.
7. Asegúrese de que el casco de seguridad no esté dañado, póngaselo y átese el PAPR a las caderas.
8. Encienda el generador de aire y asegúrese de que el aire circula normalmente en el casco de seguridad.

Si hay algún daño, deberá cambiar la pieza defectuosa antes de usar el PAPR.

Modo de funcionamiento

Ajuste de la talla del cinturón: Póngase el cinturón (fig. 6) y ajuste la talla para que la unidad del generador de aire se adapte cómodamente a las caderas.

Extracción de la manguera de aire: Apriete la conexión de la manguera por los dos lados y sáquela de la pieza correspondiente (fig. 7).

Colocación de la batería: La batería se debe insertar en el riel deslizante correspondiente del lado inferior derecho del e3000X. Deslice la batería hasta que se oiga un clic (fig. 8).

Extracción y carga de la batería: Tire de la empuñadura de extracción de la tapa de la batería y sáquela del riel deslizante hasta que salga totalmente de la unidad del generador de aire (fig. 9). A continuación conecte la batería al cargador (fig. 10). El proceso de carga está indicado por el LED amarillo que se enciende en el cargador. Una vez terminada la carga, el LED se pone verde y se activa el modo de carga de mantenimiento. Compruebe que la tensión en el zócalo coincida con la tensión especificada del cargador.

ADVERTENCIA

- Opretl P / N 4553.020 Las baterías de ión litio solo se pueden cargar con un cargador Opretl (P / N 4551.070) usando el enchufe de EE. UU. El uso de otros cargadores puede provocar explosiones que pueden provocar lesiones o la muerte.
- Los cargadores Opretl (P / N 4551.070) son solo para uso en interiores y no deben exponerse a elementos externos. No cargue la batería por debajo de 32 ° F ni por encima de 113 ° F (0 ° C - 45 ° C). No cargue la batería cerca de materiales inflamables como cajas, papel y muebles.

- La carga de la batería debe realizarse en un lugar seguro y no peligroso. No cargue ni almacene la batería cerca del aparato de soldadura.
- No exponga las células de ión litio al agua ni permita que se mojen. La exposición accidental de la batería al agua es aceptable siempre que las celdas de ión litio permanezcan secas.
- No desmonte ni modifique las baterías. Las baterías contienen dispositivos de seguridad y protección que, si están dañadas, pueden hacer que las baterías generen calor, exploten o se enciendan.

ADVERTENCIA

- No coloque la batería bajo la luz directa del sol ni la utilice ni la almacene cerca de una fuente de calor o arco eléctrico.
- El incumplimiento de estas advertencias puede provocar lesiones personales graves, enfermedades graves o la muerte.

PRECAUCIÓN

- Opretl recomienda que la batería esté cargada y almacenada a temperaturas entre 40 ° F y 80 ° F (4,5 ° C y 26,7 ° C). La carga a temperaturas más altas provoca una reducción de la capacidad y reduce la vida útil de la batería.
- Tenga cuidado para evitar la perforación o ruptura de las células.
- Si la batería de litio está dañada, parece hincharse, tiene fugas de electrolitos o se calienta de manera anormal durante la carga, deje de usarla inmediatamente y guárdela en un recipiente a prueba de fuego hasta que pueda reciclarse.
- No deje la batería conectada al cargador durante más de 70 horas.

Verifique el estado de la batería: presione brevemente el botón de encendido / apagado y el LED parpadeará. Verifique el estado de carga de la batería en la escala inferior. Ajuste del caudal: El generador de aire tiene tres niveles de caudal de aire: 170/210/240 L/min. Para cambiar el nivel de caudal de aire, desplácese por los distintos niveles de caudal pulsando el botón de caudal de aire hasta llegar al nivel deseado. (Fig. 11). Sustitución del filtro principal y prefiltro: Si aparece una indicación de alarma del filtro, cambie el prefiltro (fig. 12). Controle el intervalo de tiempo entre las alarmas del filtro. Igual que con los cambios de prefiltro, se espera que este intervalo vaya reduciéndose. Si observa que el intervalo de cambio es demasiado corto, según su propio criterio, se recomienda cambiar el filtro principal y el prefiltro. (Fig. 13).

Función de alarma

Alarma de obstrucción del filtro: Si se enciende la alarma de obstrucción del filtro, el LED se ilumina en rojo. Sin acción, los niveles de flujo III y II cambian a uno inferior. Para cambiar el prefiltro y el filtro principal, pulse el botón on/off durante 2 segundos para apagar el e3000X. Ahora ya puede cambiar los filtros. Si no apaga el e3000X durante la alarma, funcionará durante 15 minutos antes de apagarse automáticamente. Alarma de la batería: Si se enciende la alarma de la batería, el LED se ilumina en rojo. La advertencia acústica emitirá un pitido por segundo, y la unidad podrá seguir funcionando durante unos 30 minutos. Después de este tiempo el e3000X se apagará.

Almacenamiento

El sistema e3000X y sus accesorios deben almacenarse en un lugar seco. Protéjalo de la luz del sol, de las altas temperaturas y de los hidrocarburos y de los vapores de disolventes.

Mantenimiento

Compruebe el casco de seguridad periódicamente de acuerdo con las instrucciones de funcionamiento. Compruebe si en el cierre de la cara y en la boquilla de aire hay agujeros, grietas u otros daños, y compruebe también que estén correctamente colocados en el casco (consulte las instrucciones de funcionamiento). No utilice el sistema hasta que se hayan cambiado todas las piezas dañadas o desgastadas.

Plan de mantenimiento	
Actividad	Sistema en funcionamiento
Limpieza, desinfección	Después de cada uso
Inspección visual	Antes y después de cada uso
Carga de la batería	Después de cada uso
Cambie el retén que hay entre el filtro principal y la unidad del generador de aire	Cámbielo sólo si está desgastado o dañado

Si la unidad está almacenada, la batería se debe recargar cada 4 meses.

Limpieza y desinfección

Con un paño limpio humedecido con agua jabonosa, limpie el generador de aire, la manguera de aire y el casco de seguridad. Deje secar la unidad a temperatura ambiente. No utilice detergentes fuertes, disolventes, alcohol ni productos de limpieza que contengan abrasivos. El cierre de la cara se puede lavar (a mano, no centrifugar).

Localización de averías

El generador de aire no arranca

→ Asegúrese de que la batería esté correctamente instalada.

→ Asegúrese de que la batería esté totalmente cargada.

Se enciende el avisador del filtro aunque se haya cambiado e instalado correctamente el filtro principal y el prefiltro

→ Error interno del e3000X

→ Devuelva el e3000X a su distribuidor más cercano

La batería dura muy poco

→ Batería defectuosa: cambie y deseche la batería usada de acuerdo con las normas nacionales para residuos especiales.

→ Unidad de carga defectuosa: cámbiela

Especificaciones técnicas

(Nos reservamos el derecho de efectuar modificaciones técnicas)

Factor de protección nominal	Europa: Clasificación TH3P (TH2 hard hat) Australia: Clasificación P3
Unidad generadora de aire	Caudales: Nivel 1: mín. 170 L/min Nivel 2: mín. 210 L/min Nivel 3: mín. 240 L/min
Material	PC+ABS
Generador de aire	Motor sin escobillas de cojinetes de bola de larga duración y alta calidad
Fusible	Fusible electrónico

Batería	Tipo: Li-Ion recargable Voltaje / capacidad: 14,8 V / 3,25 Ah Ciclos de carga: > 500 Nivel de tiempo de funcionamiento 1*: 18 h Nivel de tiempo de funcionamiento 2*: 16 h Nivel de tiempo de funcionamiento 3*: 13 h Tiempo de carga: aprox. 5h Peso: 420 g / 14,815 oz Color: negro *el tiempo de funcionamiento mínimo es con un filtro nuevo a temperatura ambiente
Nivel de ruido	Máx. 70 dB(A)
Señales de advertencia	Alarma óptica y acústica de batería baja, filtro obstruido, ausencia de filtro o bajo caudal
Filtro	1 x tipo TH3P R SL para el sistema TH3P (Europa)/sistema TH3P (Australia)
Manguera de aire	Longitud: 1160 mm (elástica hasta 1300 mm con funda protectora) Diámetro: 31 mm (interior) Peso: 185 g / 6,526 oz (sin funda protectora) Color: negro
Peso	1195 g / 42,152 oz (incluidos el filtro y el cinturón, excluida la batería)
Dimensiones	Largo x Ancho x Alto: 222 x 213 x 92,6 mm
Normas	EN 12941:1998 / A2:2008, EAC TP TC 019/2011, AS/NZS 1716
Organismo notificado	CE 1024

Piezas de repuesto (véase la tapa I, II, III, IV)

- e3000X PAPP
- Filtro principal TH3P R SL filtro para el sistema TH3P (Europa) / sistema TH3P (Australia)
- Prefiltro
- Protección contra chispas
- Tapa del filtro
- Batería estándar (Li-Ion 48 Wh)
- Casco compatible con PAPP
- Manguera
- Funda protectora para la manguera de aire (accesorio, no incluido)

En el catálogo principal o en nuestro sitio web se pueden adquirir otros accesorios.

Leyenda (véase la tapa)

- A Lea las instrucciones de funcionamiento antes del uso
- B No utilice objetos afilados para abrir
- C Conterido frágil
- D Almacene con este lado hacia arriba
- E Proteja de la humedad
- F Marca del organismo notificado (protección respiratoria)
- G Marca del organismo EAC (Rusia)
- H Marca del organismo notificado (protección ocular)
- I Contiene iones de litio
- J Plástico, reciclable
- K Temperatura de almacenamiento recomendada: +5 °C a +25 °C
- L No debe desecharse junto con los residuos domésticos normales. Deseche de acuerdo con las normas nacionales para residuos especiales.

Declaración de conformidad

Consulte la dirección de internet de la última página.

Información legal

Este documento cumple con los requisitos del Reglamento UE 2016/425 establecidos en el anexo II, punto 1.4.

Organismo acreditado

Si desea más información, consulte la última página.

Português

Introdução

Um dispositivo de filtragem do ventilador serve para fornecer ar fresco a um capacete de soldador ou um capacete para trabalhos com abrasivos (capacete de proteção), homologado em conjugação com este dispositivo. Seguindo estas instruções, assim como as instruções do capacete de proteção usado, o utilizador fica protegido contra poeiras e partículas no ar respirado.

Instruções de Segurança

Leia estas instruções de operação cuidadosamente antes de usar o equipamento. O uso incorreto pode ser perigoso para a vida ou provocar ferimentos, podendo invalidar qualquer reclamação de garantia contra a Optrel.

Advertências e restrições de proteção / Riscos

Use apenas capacete de proteção se estiver ligado ao soprador e este estiver a funcionar. O soprador deve ser usado apenas em ligação com equipamento de respiração o que corresponde aos requisitos das normas Europeias e Australianas. Este PAPR não fornece proteção contra substâncias gasosas. Ligue a unidade antes de iniciar o trabalho; apenas assim é seguro entrar numa zona de perigo. Se o soprador apresentar mau funcionamento, abandone a zona perigosa imediatamente. Logo que for disparado o aviso da bateria (o LED vermelho acende e é ouvido um sinal sonoro), deve abandonar a zona de perigo imediatamente. Carregue a bateria ou substitua a mesma. Logo que for disparado o aviso de fluxo de ar (o LED vermelho acende e é ouvido um sinal sonoro), deve abandonar a zona de perigo imediatamente e substitua o filtro.

Um vento forte lateral ou posterior podem afetar a proteção fornecida pelo capacete. No caso de um ambiente extremamente poluído com partículas, uma pressão muito baixa pode ser provocada no capacete por respirar no interior. Isso pode reduzir a proteção. Neste caso, não retire o capacete ou desligue o soprador até ter saído da zona de perigo. Quando retirar o capacete, tome todas as medidas de precaução necessárias para evitar inspirar poeiras ou materiais contaminados que podem ter-se acumulado no exterior do capacete. Numa mergulho o soprador ou a bateria em água; isto pode danificar a unidade. Certifique-se de que não entra água na unidade quando limpar a mesma. Os filtros usados não podem ser limpos ou reciclados. Tentar limpar os filtros usando ar comprimido ou água pode danificar o filtro. Nunca provoque curto-circuito na bateria; isto pode provocar danos fatais. O PAPR não pode ser usado,

- em atmosferas inflamáveis ou explosivas,
- se o ar inalado tiver falta de oxigénio (Europa: <17 %, Austrália: <19%) ou a concentração de toxinas for tão elevada que a classe de proteção exceda TH3P (Europa & Austrália),
- em temperaturas inferiores a -5 °C ou superiores a +55 °C,
- em ambientes onde existe perigo imediato de vida ou para a integridade física.

AVISO

- O seu empregador (ou você, se você não tiver um empregador) é / é responsável por estabelecer que este respirador é adequado para a aplicação do usuário.
- Optrel não pode prever o que acontecerá com este respirador em todos os ambientes potenciais. Materiais podem ser quimicamente atacados se expostos ao ambiente errado e podem apresentar corrosão excessiva ou outras formas de danos. A permeação ou penetração de gases, líquidos ou partículas através dos materiais pode ser excessiva. Extremos de temperatura podem causar degradação térmica. Cada uma dessas coisas, ou uma combinação delas, poderia criar condições em que esse respirador optrel seria perigoso de usar.
- Antes de entrar em um ambiente perigoso enquanto estiver usando este respirador, você deve realizar testes científicos seguros para determinar se o ambiente pode tornar o equipamento inseguro. Os resultados deste teste devem ser bem documentados. Procure a ajuda de um profissional de segurança certificado ou higienista industrial. NÃO USE este equipamento se o usuário estiver em perigo de alguma forma através da degradação ambiental induzida dos materiais no aparelho.
- Todas as pessoas que usam este aparelho de respiração Optrel devem estar cientes de suas limitações. Não podemos ser responsabilizados por qualquer dano à propriedade, danos pessoais ou morte em que a exposição ambiental seja um fator contribuinte.
- Não use este respirador se houver alguma coisa entre o rosto e a face do capacete (por exemplo, cabelo, bandana, cobertura da cabeça, etc.). Esta condição impedirá uma boa vedação do capacete e poderá permitir o vazamento de contaminantes no capacete.
- Não use este respirador em ambientes onde as concentrações de contaminantes são desconhecidas ou são imediatamente perigosas para a vida ou a saúde (IDLH). Atmosferas IDLH são definidas como:

- a. Aqueles que o usuário não conseguia respirar por curtos períodos.
 - b. Aqueles dos quais o usuário não poderia escapar sem a ajuda de um respirador.
 - c. Aqueles que têm um efeito adverso imediato ou retardado na saúde.
- NUNCA use este respirador sem um filtro HE Optrel, P / N 4088.100.
 - Não use este respirador onde as condições ambientais possam fazer com que o capacete do respirador seja desalojado ou escorregue.
 - Este respirador não protege contra gases ou vapores. É apenas para proteção contra contaminantes particulados.
 - Volte imediatamente a uma área não contaminada se:
 - a. Você provoca ou cheira contaminantes ou se seus olhos, nariz ou garganta ficam irritados.
 - b. Respirar fica difícil.
 - c. O ar que você está respirando se torna desconfortavelmente quente.
 - d. Você sente náuseas ou tonturas.
 - e. Você percebe uma perda ou diminuição no fluxo de ar.
 - f. O capacete se move, escorrega ou vaza.
 - g. Sentes-te cansado.
 - Este respirador não protege áreas expostas do corpo. Alguns contaminantes podem ser absorvidos diretamente pela pele, enquanto outros podem irritar as áreas expostas.
 - Este respirador não oferece proteção contra ruídos prejudiciais. Sempre use proteção adequada para os ouvidos.
 - Este respirador não fornece oxigênio. Não use o respirador atmosferas contendo menos de 19% de oxigênio por volume.
 - Este respirador não deve ser usado debaixo de água, para fumação, combate a incêndios estruturais internos, operações de jateamento abrasivo ou em áreas onde durações prolongadas de altas temperaturas ou chamas possam entrar em contato com o respirador.
 - Respiradores Optrel, acessórios e equipamentos associados não devem ser usados em atmosferas que possam conter concentrações de contaminantes acima do nível explosivo inferior (LEL).
 - Este respirador reduzirá, mas não eliminará a inalação de contaminantes. Alguns indivíduos sensíveis podem ter problemas de saúde quando expostos a quantidades mínimas de contaminantes. Este respirador não impedirá problemas de saúde para esses indivíduos.
 - As pessoas sensibilizadas podem ter uma reação severa a substâncias químicas em níveis bem abaixo dos níveis de saúde aceitos, como o Limite de Exposição Permissível OSHA (PEL), Valor Limite Inferior ACGIH (TLV) ou Limites de Exposição Recomendados NIOSH (REL). NÃO use este respirador se tiver sido sensibilizado por exposição anterior ou se achar que é sensível ou alérgico a qualquer produto químico (por exemplo, isocianatos, látex, etc.) até obter autorização de um médico.
 - Sempre leia e siga as instruções listadas na Folha de dados de segurança do material para os produtos químicos que estão presentes na área de trabalho.
 - Não use, se você tiver uma condição de pele preexistente (por exemplo, folliculite ou vitiligo) até obter a autorização de um médico.
 - Este respirador deve ser usado e usado conforme especificado nas instruções do Optrel. Não deixe nenhuma parte do respirador ou deixe de fora uma etapa obrigatória das instruções.
 - Nenhum respirador pode fornecer proteção completa contra todas as condições. Tome muito cuidado com as condições de emergência.
 - Os usuários devem limpar e manter este respirador somente de acordo com as instruções do Optrel. Acessórios não oferecidos pela Optrel podem degradar o desempenho e anulá-lo a certificação.
 - Interrompa o uso se sentir irritação ou descoloração da pele.
 - Este produto pode oferecer proteção inadequada se usado incorretamente, o que pode resultar em ferimentos graves, doenças graves ou morte.
 - Para uso somente por pessoal qualificado e treinado.
 - Não use este respirador se ele tiver ficado exposto em um ambiente contaminado, pois os contaminantes podem se acumular no interior do capacete e ser inalados quando a máscara de gás for colocada.
 - Os respiradores usados rotineiramente devem ser inspecionados antes e depois de cada uso.
 - NÃO OBSERVAÇÃO DE TÓDOS OS AVISOS PODE RESULTAR EM LESÕES GRAVES PESSOAIS, DOENÇA SÉRIA OU MORTE.

Se tiver alguma questão sobre a aplicação específica, uso ou adequabilidade do sistema e300X, contacte o departamento de vendas Optrel.

Garantia & responsabilidade

A Optrel repara ou substitui o produto quando necessário no caso de defeitos materiais ou de fabrico que ocorram no período de 24 meses a partir da data da compra,

desde que o produto tenha sido usado de acordo com as indicações fornecidas pelas instruções de operação. A garantia será cancelada se o número de série for alterado, removido ou tornado ilegível, ou se o produto tiver sido danificado intencionalmente, usado incorretamente, aberto ou modificado. A garantia também será invalidada se o produto for usado incorretamente, forem usadas peças de substituição não originais ou se os trabalhos de manutenção não tiverem sido corretamente executados. A garantia abrange apenas reparações ou substituição de peças danificadas. Em nenhuma circunstância a Optrel se responsabilizará por garantias devidas a avarias provocadas por falhas de corrente ou danos decorrentes.

Vida útil prevista

O e3000X não possui prazo de validade. O produto pode ser utilizado desde que não ocorram danos visíveis ou invisíveis ou falhas de funcionamento.

Área de aplicação

O e3000X é um respirador purificador de ar motorizado (PAPR) para proteção contra poeira e partículas. Este sistema tem certificação TH3P de acordo com a norma Europeia EN 12941: 1998 e certificação TH3P de acordo com a norma Australiana AS/NZS 1716: 2012.

O e3000X é usado para apoiar processos de ventilação, reduzindo o esforço requerido para respirar, diminuindo assim o cansaço. O sistema eletrônico para controlar o fluxo de ar monitoriza o soprador para assegurar um fluxo constante de no mínimo 170 L/min.

O tempo de operação efetivo do e3000X com uma bateria totalmente carregada depende do tipo de bateria e do estado do filtro (consulte a tabela de especificações técnicas).

Antes da inspeção de pré-utilização e de teste

- Remova cuidadosamente a embalagem das várias partes.

- Carregue a bateria completamente antes do primeiro uso

Tabela de inspeção:

Verifique se a unidade está completa de acordo com o escopo de entrega e nada foi danificado. Se algum dano for encontrado ou uma peça estiver faltando, entre em contato com o departamento de vendas imediatamente. Nunca use uma unidade danificada ou incompleta. Por favor, dê uma olhada específica nos seguintes componentes:

COMPONENTE	OLHE PARA
Bateria	1. Conector rachado ou quebrado. 2. Tampa da caixa da bateria solta ou conector danificado.
Mangueira	1. Buracos, cortes ou abrasões. 2. Espirais danificadas.
Arnês de Cinto / Ombro	1. Cortes, cortes, rasgos ou costuras quebradas. 2. Fivela danificada. 3. Hardware solto.

Para todas as informações sobre o e35 faceasal, por favor, use o manual para o selo facial.

Inspeção pré-utilização e teste

Antes de cada utilização, certifique-se de que o e3000X está em boas condições e proceda como se segue:

1. Verifique se o pára-faixas, o filtro principal e o pré-filtro estão instalados corretamente e se a trava da caixa está bem encaixada (a tampa da caixa deve fechar com um clique) (Fig. 1). Nota: Quando usado na área médica, a proteção contra faísca e os pré-filtros podem ser omitidos por razões de higiene. Verifique se o filtro principal e o pré-filtro estão corretamente instalados e se o punho de remoção da tampa está fixo em segurança (Ao fechar a tampa deve ouvir um clique) (Fig. 1)
2. Verifique se a mangueira e o conector de ar não estão danificados (furos, rasgões, cortes). Ligue a mangueira de ar ao capacete e ao soprador premindo a mangueira contra a parte correspondente na unidade até ouvir um clique, certificando-se que a mesma não pode ser removida, puxando ligeiramente. (Fig. 2).
3. Ligue o e3000X pressionando o botão on/off durante cerca de 0,5 segundos. (Fig. 3). Durante o arranque de cerca de 3 segundos, todos os 5 LED (3 LED em verde para a seleção do nível de fluxo e 2 LED em vermelho, dos quais um é para o estado da bateria e o outro para o estado do filtro – Fig. 4) são ligados e um alarme sonoro (3 bipes) toca. De seguida o e3000X está pronto para usar.
4. Além disso, durante o tempo de arranque o e3000X desempenha uma auto-verificação inicial para assegurar que a unidade fornece o fluxo correto acima de 170 L/min. Se o LED vermelho do filtro desligar depois dos 3 segundos mencionados anteriormente, é mantido um fluxo de pelo menos 170 L/min. Devido a um sensor de fluxo integrado o e3000X controla e mantém continuamente um fluxo correto acima de 170 L/min durante toda a operação.
5. Como mencionado o e3000X tem um aviso visível e sonoro (Fig. 5) para bateria

fraca e filtro em falta, obstruído ou ajustado incorretamente. Se for disparado um aviso a zona de perigo deve ser abandonada imediatamente!

Verifique o alarme de fluxo de ar baixo/filtro obstruído, simulando uma condição de fluxo baixo como se segue:

Com a unidade e3000X ligada, remova a mangueira do capacete e tape bem a extremidade da mangueira com a palma da sua mão limpa; o motor acelera automaticamente, tentando compensar a condição de fluxo de ar baixo. Continue a pressionar firmemente com a palma da mão contra a extremidade da mangueira, fazendo um selo apertado. Quando conseguir vedar firmemente, a unidade dispara um alarme sonoro e o LED vermelho do filtro é ligado.

6. Para parar o alarme pressione o botão on/off durante cerca de 3 segundos e ligue a mangueira ao capacete.
7. Assegure-se de que o capacete de segurança não está danificado, coloque e aperte o cinto do PAPR nas ancas.
8. Arranque o soprador e assegure-se de que o ar no capacete de segurança cula normalmente.

Se existir algum dano deve substituir qualquer parte danificada antes de usar o PAPR.

Modo de operação

Ajustar o tamanho do cinto: Coloque o cinto (Fig. 6) e ajuste o tamanho para que o soprador fique confortavelmente ajustado às suas ancas.

Remoção da mangueira de ar: Pressione a ligação da mangueira em ambos os lados e remova a mesma (Fig. 7).

Instalação da bateria: A bateria deve ser introduzida na calha deslizante respetiva no lado inferior direito do e3000X. Deslice a bateria até ouvir um clique (Fig. 8).

Remoção e carregamento da bateria: Puxe o punho de remoção da tampa na bateria e retire-a da calha deslizante até estar completamente fora do soprador (Fig. 9). Ligue a bateria ao carregador (Fig. 10). O processo de carregamento é sinalizado por um LED amarelo iluminado no carregador. Depois de carregada, o LED fica verde e o modo de carga lenta é ativado. Verifique se a voltagem na tomada corresponde à voltagem especificada do carregador.

AVISO

- As baterias de íon de lítio Optrel P / N 4553.020 só podem ser carregadas com um carregador Optrel (N/P 4551.070) usando o plugue dos EUA. O uso de outros carregadores pode causar explosões, resultando em ferimentos ou morte.
- Os carregadores Optrel (P / N 4551.070) são apenas para uso interno e não devem ser expostos a elementos externos. Não carregue a bateria abaixo de 32 ° F ou acima de 113 ° F (0 ° C - 45 ° C). Não carregue a bateria perto de materiais inflamáveis, como caixas, papel e móveis.
- O carregamento da bateria deve ser feito em um local seguro e não perigoso. Não carregue nem guarde a bateria na proximidade do aparelho de soldadura.
- Não exponha as células de íons de lítio à água nem permita que se molhem. A exposição accidental da bateria à água é aceitável desde que as células iônicas de lítio permaneçam secas.
- Não desmonte ou modifique as baterias. As baterias contêm dispositivos de segurança e proteção que, se danificados, podem fazer com que as baterias gerem calor, explodam ou se incendiem.

AVISO

- Não coloque a bateria na luz solar direta nem use ou guarde a bateria perto de uma fonte de calor ou arco elétrico.
- O não cumprimento destes avisos pode resultar em ferimentos graves, doenças graves ou morte.

CUIDADO

- Optrel recomenda que a bateria seja carregada e armazenada a temperaturas entre 40 ° F e 80 ° F (4,5 ° C e 26,7 ° C). Recarregar a altas temperaturas causa uma redução na capacidade e reduz a vida útil da bateria.
 - Tenha cuidado para evitar perfurar ou romper as células.
 - Se a bateria de lítio estiver danificada, parecer inchar, vazar eletrólitos ou ficar anormalmente quente durante o carregamento, pare imediatamente de usá-la e guarde-a em um recipiente à prova de fogo até que ela possa ser reciclada.
 - Não deixe a bateria conectada ao carregador por mais de 70 horas.
- Verificar o status da bateria: Pressione o botão liga / desliga brevemente e o LED piscará. Verifique o status de carga da bateria na escala inferior.

Ajuste do fluxo: O soprador tem três níveis de fluxo de ar: 170/210/240 L/min. Para alterar o nível do fluxo de ar, percorra os diferentes níveis de fluxo premindo o botão de fluxo de ar até atingir o nível de fluxo pretendido. (Fig. 11)

Substituição do filtro principal e do pré-filtro: No caso de uma indicação de alarme de filtro, substitua o pré-filtro (Fig. 12). Monitore, por favor, o tempo entre os alarmes de filtro. Para cada substituição do pré-filtro este período de tempo deve tornar-se mais curto. Se achar que o intervalo de substituição está muito curto, o que é ao critério do utilizador, recomendamos a substituição do filtro principal e do pré-filtro. (Fig. 13)

Função de alarme

Alarme de filtro obstruído: Se o alarme de filtro obstruído ligar, o LED vermelho acende. Sem ação, os níveis de fluxo III e II mudam para um inferior. Para substituir o pré-filtro e o filtro principal, pressione o botão on/off durante 2 segundos para desligar o e3000X. De seguida pode substituir os filtros. No caso de não desligar o e3000X durante o alarme, este vai funcionar durante mais 15 minutos antes da desconexão automática.

Alarme bateria: Se o alarme da bateria ligar, o LED vermelho acende. O aviso sonoro ativa a cada segundo e a unidade ainda consegue funcionar durante cerca de 30 minutos. Depois deste período de tempo o e3000X desliga.

Armazenamento

O sistema e3000X e os seus acessórios devem ser guardados num local seco. Proteja da luz solar, de altas temperaturas e de hidrocarbonetos e vapores de solventes.

Manutenção

Verifique a segurança do capacete regularmente de acordo com as instruções de operação. Verifique se o vedante facial e o bocal de ar não apresenta furos, rachas ou outros danos e se estão corretamente posicionados no capacete (veja as instruções de operação). Não use o sistema até que todas as peças gastas ou danificadas tenham sido substituídas.

Plano de manutenção	
Atividade	Sistema em uso
Limpeza, desinfeção	Após cada utilização
Inspeção visual	Antes e após cada utilização
Carregamento da bateria	Após cada utilização
Substitua o vedante entre o filtro principal e o soprador	Substitua apenas se o vedante estiver desgastado ou danificado, mas pelo menos uma vez por ano

A Optrel recomenda que o dispositivo seja reparado pelo menos uma vez por ano por uma empresa qualificada pela Optrel.

Se a unidade estiver armazenada a bateria deve ser recarregada todos os 4 meses. Limpeza e desinfeção

Com um pano limpo e humedecido com água e sabão, limpe o soprador, a mangueira de ar e o capacete de segurança. Deixe a unidade secar à temperatura ambiente. Não use detergentes, solventes, álcool ou agentes de limpeza com abrasivos. O vedante facial é lavável (lavagem à mão, não centrifugar).

Especificações técnicas

(Reservamos todos os direitos de efetuar alterações técnicas)

Fator de proteção nominal	Europa: Classificação TH3P (TH2 hard hat) Austrália: Classificação P3
Unidade soprador	Gamas de fluxo: Nível 1: min. 170 L/min Nível 2: min. 210 L/min Nível 3: min. 240 L/min
Material	PC+ABS
Soprador	Motor com rolamento de esferas sem escovas de alta qualidade e de longa duração
Fusível	Fusível eletrónico
Bateria	Tipo: Li-Ion recarregável Tensão / capacidade: 14.8V / 3,25Ah Ciclos de carga: > 500 Nível de tempo de operação 1* 18 h Nível de tempo de operação 2* 16 h Nível de tempo de operação 3* 13 h Tempo de carga: aprox. 5h Peso: 420g / 14,815 oz Cor: preto *tempo de operação min. com filtro novo à temperatura da sala
Nível de ruído	Max. 70 dB(A)

Sinais de aviso	alarme ótico e sonoro para alimentação fraca, filtro obstruído, sem filtro e baixo fluxo
Filtro	1 x tipo TH3P R SL para sistema TH3P (Europa) / sistema TH3P (Austrália)
Mangueira de ar	Comprimento: 1160 mm (elástico até 1300mm com manga protetora) Diâmetro: 31 mm (interior) Peso: 185g / 6,526 oz (sem manga de proteção) Cor: preto
Peso	1195g / 42,152 oz (incl. filtro e correia de bateria exclusiva)
Dimensões	CxLxP: 222 x 213 x 92,6 mm
Normas	EN 12941:1998 / A2:2008, EAC TP TC 019/2011, AS/NZS 1716
Corpo notificado	CE 1024

Diagnóstico e reparação de avarias

O soprador não arranca

→ Certifique-se de que a bateria está instalada corretamente.

→ Certifique-se de que a bateria está instalada corretamente.

O aviso de filtro está ligado mesmo depois do filtro principal e do pré-filtro ter sido substituído e devidamente instalado

→ Erro interno e3000X

→ Devolva o 3000 ao revendedor mais próximo

O tempo de funcionamento da bateria está muito curto

→ Bateria danificada – substitua e elimine a bateria usada de acordo com os regulamentos nacionais de resíduos especiais.

→ Unidade de carga danificada – substituir

Peças de reserva (ver a capa I, II, III, IV, V)

1 e3000X PAPER

2 Filtro principal TH3P R SL filtro para o sistema TH3P (Europa) / sistema TH3P (Austrália)

3 Pré-filtro

4 Para-raios

5 Tampa do filtro

6 Bateria standard (Li-Ion 48 Wh)

7 Capacete compatível PAPER

9 Mangueira

10 Manga de proteção para mangueira de ar (acessório, não incluído)

Podem ser adquiridos mais acessórios a partir do catálogo principal ou do nosso website.

Legenda (ver a capa)

A Leia as instruções de operação antes de usar

B Não use objetos afiados para abrir

C Conteúdo frágil

D Armazenar com este lado para cima

E Proteger da humidade

F Marca notificada (proteção respiratória)

G Marca notificada EAC (Rússia)

H Marca notificado (proteção ocular)

I Contém iões-lítio

J Plástico, reciclável

K Temperatura recomendada de armazenamento: +5 °C a +25 °C

L Não deve ser eliminado como resíduo doméstico normal. Elimine de acordo com os regulamentos nacionais para resíduos especiais.

Declaração de conformidade

Ver endereço web na última página.

Informações legais

Este documento atende aos requisitos do Regulamento UE 2016/425, ponto 1.4 do anexo II.

Organismo notificado

Para obter informações detalhadas, consulte a última página.

Nederlands

Inleiding

Een geventileerde adembeschermingseenheid is een apparaat, dat een hiervoor geschikte las- of slijphelm (veiligheidshelm) voorziet van gefilterde verse lucht. Indien deze handleiding en de handleiding van de gebruikte veiligheidshelm wordt gevolgd, zal de gebruiker worden beschermd tegen stof en andere deeltjes in de ingeademde lucht.

Veiligheidsvoorschriften

Lees deze gebruiksaanwijzing zorgvuldig door voordat u de apparatuur gebruikt. Verkeerd gebruik kan een gevaar voor leven en ledematen vormen en kan alle garantieaanspraken jegens Optrel ongeldig maken.

Waarschuwingen en beperkingen van de bescherming / risico's

Draag alleen de beschermende helm, als deze op de ventilator is aangesloten en als de ventilator werkt. Het is alleen toegestaan de ventilator te gebruiken in combinatie met het ademhalingsapparaat dat overeenkomt met de vereisten van de Europese en Australische normen. Deze PAPR biedt geen bescherming tegen gasvormige stoffen. Zet de unit op en schakel deze in voor aanvang van het werk; alleen dan is het veilig de gevarenzone te betreden. Als de ventilator een storing heeft, dient u de gevarenzone onmiddellijk te verlaten. Zodra de accuwaarschuwing wordt geactiveerd (rode LED wordt verlicht en er weerklinkt een geluidssignaal), moet u de gevarenzone onmiddellijk verlaten. U dient de accu op te laden of te vervangen. Zodra de luchtstromingwaarschuwing wordt geactiveerd (rode LED wordt verlicht en er weerklinkt een geluidssignaal), moet u de gevarenzone onmiddellijk verlaten en de filter vervangen.

Een krachtige wind vanaf de zij- of achterkant kan de bescherming die de helm biedt, in gevaar brengen. Bij een extreem hoge milieuverontreiniging door deeltjes kan een zeer lage druk in de helm worden veroorzaakt door inademen. Dit kan de bescherming verminderen. Verwijder in dat geval de helm niet of schakel de ventilator niet uit totdat u de gevarenzone hebt verlaten. Neem bij het verwijderen van de helm alle benodigde voorzorgsmaatregelen in acht om het inademen van stof of besmet materiaal te voorkomen dat zich mogelijk aan de buitenkant van de helm heeft verzameld. Dompel de ventilator of de accu nooit onder in water; hierdoor kan de unit beschadigd raken. Zorg ervoor dat er geen water de unit binnendringt tijdens het reinigen. Het is niet mogelijk gebruikte filters te reinigen of te recyclen. Pogingen om de filter met perslucht of water te reinigen beschadigen de filter. Sluit de accu nooit kort; dit kan permanente schade veroorzaken.

De PAPR mag niet worden gebruikt:

- in een ontvlambare of explosieve atmosfeer;
- als de ingeademde lucht een gebrek aan zuurstof heeft (Europa: < 17%, Australië: < 19%), of als de concentratie van giftige stoffen zo hoog is dat een beveiligingsklasse hoger is dan TH3P (Europa & Australië);
- bij temperaturen lager dan -5 °C of hoger dan +55 °C;
- in een omgeving waarin onmiddellijk gevaar voor leven en ledematen bestaat.

WAARSCHUWING

- Uw werkgever (of u, als u geen werkgever heeft) is / bent verantwoordelijk voor het vaststellen dat dit gasmasker geschikt is voor de toepassing van de gebruiker.
- Optrel kan niet voorspellen wat er met dit gasmasker gebeurt in elke potentiële omgeving. Materialen kunnen chemisch worden aangetast als ze worden blootgesteld aan de verkeerde omgeving en kunnen overmatige corrosie of andere vormen van schade vertonen. Permeatie of penetratie van gassen, vloeistoffen of deeltjes door de materialen kan excessief zijn. Extreme temperaturen kunnen thermische degradatie veroorzaken. Elk van deze dingen, of een combinatie hiervan, zou omstandigheden kunnen creëren waarin dit Optrelademhalingsstoelstel gevaarlijk zou zijn om te gebruiken.
- Voordat u een gevaarlijke omgeving betreedt terwijl u dit masker draagt, moet u veilige, wetenschappelijke tests uitvoeren om te bepalen of de omgeving de apparatuur onveilig kan maken. De resultaten van deze tests moeten goed worden gedocumenteerd. Zoek de hulp van een gecertificeerde veiligheidswerker of industriële hygiënist. GEBRUIK dit apparaat NIET als de gebruiker op enigerlei wijze gevaar loopt door milieu-gerelateerde afbraak van de materialen in het apparaat.
- Alle personen die dit ademhalingsapparaat met Optrel gebruiken, moeten op de hoogte gebracht worden van de beperkingen. Wij kunnen niet aansprakelijk worden gesteld voor enige schade aan eigendommen, lichamelijk letsel of overlijden waarbij milieublootstelling een bijdragende factor is.
- Gebruik dit masker niet als er iets tussen de gezichtshuid van de helm en uw gezicht komt (bijv. Haar, bandana, hoofdbedekking, enz.). Deze voorwaarde voorkomt een goede helmafdichting en kan lekkage van verontreinigingen in de helm veroorzaken.
- Gebruik dit ademhalingsstoelstel niet in omgevingen waar de concentraties van

verontreinigingen onbekend zijn of onmiddellijk gevaarlijk zijn voor leven of gezondheid (IDLH). IDLH-atmosferen zijn gedefinieerd als:

- a. Die die de drager niet voor korte periodes kon ademen.
 - b. Die waaruit de drager niet kon ontsnappen zonder de hulp van een gasmasker.
 - c. Degenen die een onmiddellijk of vertraagd negatief effect op de gezondheid hebben.
- Gebruik dit ademhalingsstoelstel NOOIT zonder een HE HE-filter, P/N 4088.100.
 - Gebruik dit ademhalingsstoelstel niet wanneer omgevingsomstandigheden ertoe kunnen leiden dat de maskerharmonica losraakt of wegglijdt.
 - Dit masker beschermt niet tegen gassen of dampen. Het is alleen voor bescherming tegen deeltjesvormige contaminanten.
 - Ga onmiddellijk terug naar een niet-verontreinigd gebied als:
 - a. Je proeft of ruikt verontreinigingen of raakt je ogen, neus of keel geïrriteerd.
 - b. Ademen wordt moeilijker.
 - c. De lucht die u inademt, wordt onaangenaam warm.
 - d. Je voelt je misselijk of duizelig.
 - e. U merkt een verlies of een daling van de luchtstroom.
 - f. De helm beweegt, slipt of lekt.
 - g. Je voelt je moe.
 - Dit masker beschermt de blootgestelde delen van het lichaam niet. Sommige verontreinigingen kunnen direct door de huid worden opgenomen, terwijl andere de blootgestelde delen kunnen irriteren.
 - Dit masker biedt geen bescherming tegen schadelijke ruis. Draag altijd de juiste gehoorbescherming.
 - Dit gasmasker levert geen zuurstof. Gebruik het beademingsapparaat niet in atmosferen die minder dan 19 volumeprocent zuurstof bevatten.
 - Dit ademhalingsstoelstel mag niet worden gebruikt onder water, voor fumigatie, inwendig structureel brandbestrijding, straalwerkzaamheden of in gebieden waar langdurige langdurige hoge temperaturen of vlammen in contact kunnen komen met het gasmasker.
 - Optrelademhalingsstoelstellen, accessoires en bijbehorende apparatuur mogen niet worden gebruikt in atmosferen die verontreinigende concentraties kunnen bevatten boven het onderste explosieve niveau (LEL).
 - Dit beademingsapparaat zal de inademing van verontreinigingen verminderen, maar niet elimineren. Sommige gevoelige personen kunnen gezondheidsproblemen ervaren wanneer ze worden blootgesteld aan zelfs kleine hoeveelheden verontreinigingen. Dit gasmasker zal gezondheidsproblemen voor die personen niet voorkomen.
 - Personen die gevoelig zijn, kunnen een ernstige reactie op chemicaliën krijgen op niveaus die ver onder de geaccepteerde gezondheidsniveaus liggen, zoals de OSHA-permeabele blootstellingslimiet (PEL), ACGIH-drempelgrenswaarde (TLV) of NIOSH-aanbevolen blootstellingslimieten (REL). Gebruik dit ademhalingsstoelstel NIET als u door eerdere blootstelling bent sensibiliseerd of als u denkt dat u gevoelig of allergisch bent voor een chemische stof (bijv. Isocyanaten, latex, enz.) Totdat u toestemming van een arts heeft verkregen.
 - Lees en volg altijd de instructies op het Material Safety Data Sheet voor de chemicaliën die aanwezig zijn in het werkgebied.
 - Niet gebruiken, als u al een bestaande huidaanandoening heeft (bijvoorbeeld folliculitis of vitiligo) totdat u toestemming heeft verkregen van een arts.
 - Dit masker moet gedragen en gebruikt worden zoals gespecificeerd in de instructies van Optrel. Laat geen enkel deel van het masker weg of laat een verplichte stap van de instructies achterwege.
 - Geen enkel masker kan volledige bescherming tegen alle omstandigheden bieden. Gebruik uiterste zorg voor noodsituaties.
 - Gebruikers moeten dit gasmasker alleen reinigen en onderhouden in overeenstemming met de instructies van Optrel. Accessoires die niet worden aangeboden door Optrel, kunnen de prestaties verminderen en de certificering ongeldig maken.
 - Stop het gebruik als u huidirritatie of verkleuring bemerkt.
 - Dit product kan onvoldoende bescherming bieden als het ondeskundig wordt gebruikt, wat kan leiden tot ernstig persoonlijk letsel, ernstige ziekte of overlijden.
 - Uitsluitend voor gebruik door geschoold, gekwalificeerd personeel.
 - Gebruik dit masker niet als het in een gecontamineerde omgeving is blootgesteld, omdat verontreinigingen zich aan de binnenkant van de helm kunnen verzamelen en kunnen worden ingeademd wanneer het gasmasker wordt aangetrokken.
 - Routinematig gebruikte beademingsapparatuur moet voor en na elk gebruik worden geïnspiceerd.
 - HET NIET NALEVEN VAN ALLE WAARSCHUWINGEN KAN RESULTEREN IN ERNSTIG PERSOONLIJK LETSEL, ERNSTIGE ZIEKTE OF DE DOOD.
- Neem contact op met de verkoopafdeling van Optrel bij vragen over de specifieke

toepassing, het gebruik of de geschiktheid van het e3000X-systeem.

Garantie & aansprakelijkheid

Opregel zal het product, wanneer nodig, binnen 24 maanden vanaf de aankoopdatum repareren of vervangen in geval van materiaal- of fabricagedefecten, vooropgesteld dat het product verduur gebruikt in overeenstemming met het toegestaan gebruik, zoals in de gebruiksaanwijzing staat.

De garantie wordt ongeldig, als het serienummer is veranderd, verwijderd of onleesbaar is gemaakt, of als het product opzettelijk is beschadigd, misbruikt, geopend of veranderd. De garantie wordt tevens ongeldig, als het product verkeerd is gebruikt, er niet-originele vervangingsonderdelen zijn gebruikt of als het niet naar behoren is onderhouden.

De garantie dekt alleen reparaties of vervanging van defecte onderdelen. Opregel zal in geen geval garantie verstrekken voor algemene uitval of gevolgschade.

Verwachte levensduur

Voor e3000X geldt geen vervaldatum. Het product kan worden gebruikt zolang er geen zichtbare of onzichtbare beschadigingen of functionele storingen optreden.

Toepassingsgebied

De e3000X is een aangedreven beademingsapparaat voor luchtzuivering (powered air purifying respirator, PAPR) ter bescherming tegen stof en deeltjes. Dit systeem is TH3P-gecertificeerd in overeenstemming met de Europese norm EN 12941: 1998 en TH3P-gecertificeerd in overeenstemming met de Australische norm AS/NZS 1716: 2012.

De e3000X wordt gebruikt ter ondersteuning van het ventilatieproces. Het vermindert de voor inademen vereiste inspanningen en daardoor vermoeidheid. Het elektronische systeem voor het regelen van de luchtstroom bewaakt de ventilator voor het verzekeren van een constante stroming van min. 170 L/min.

De effectieve werktijd van de e3000X met een volledig geladen accu is afhankelijk van het type accu en de toestand van de filter (zie de tabel met technische specificaties). Inspecteren en testen ter voorbereiding op het gebruik

• Verwijder voorzichtig de verpakking van de verschillende onderdelen.

• Laad de batterij volledig op voor het eerste gebruik

Inspectietabel:

Controleer of het apparaat compleet is in overeenstemming met de leveringsomvang en dat er niets is beschadigd. Neem contact op met de verkoopafdeling als er schade is of als een onderdeel ontbreekt. Gebruik nooit een beschadigde of onvolledige eenheid. Bekijk specifiek de volgende componenten:

COMPONENT	ZOEKEN
Accu	1. Connector is gebroken of gebroken. 2. Los batterijvakdekseel of beschadigde connector.
Slang	1. Gat en, snijwonden of schafwonden. 2. Beschadigde spiralen.
Riem / schouderharnas	1. Bezuinigingen, inkepingen, tranen of gebroken stiksels. 2. Beschadigde gesp. 3. Losse hardware.

Voor alle informatie over e600 face seal, gebruik u de handleiding voor gezichtsverzegeling.

Inspecteren en testen voor gebruik

Controleer voor elk gebruik of de e3000X in een onberispelijke staat is en ga als volgt te werk:

- Controleer of de ontstekingsbeveiliging, het hoofdfilter en het voorfilter correct zijn geïnstalleerd en of het behuizingslot goed vastzit (het behuizingsdeksel moet met een klik sluiten) (afb. 1). Opmerking: Bij gebruik in de medische sector kunnen vonkbescherming en voorfilters om hygiënische redenen worden weggelaten.
- Controleer de luchtslang en het lucht aansluitstuk op schade (gaten, scheuren, sneden). Sluit de luchtslang aan op de helm en de ventilator door de slang op het overeenkomstige deel van de unit te drukken totdat een klikgeluid garandeert dat deze niet kan worden verwijderd door licht trekken. (Afb. 2)
- Schakel de e3000X in door ca. 0,5 seconden op de knop Aan/uit te drukken. (Afb. 3) Tijdens het opstarten dat ca. 3 seconden duurt, worden alle 5 LED's (3 groene LED's voor de stromingsselectie en 2 rode LED's: 1 voor de accusituatie en de andere voor de filterstatus -afb. 4) ingeschakeld en weerklinkt een hoorbaar alarm (3 piepen). Daarna is de e3000X klaar voor gebruik.
- Daarnaast voert de e3000X tijdens dit opstartproces een eerste zelftest uit om te verzekeren dat de unit een correcte stroming levert die hoger is dan 170 L/min. Als de rode LED van de filter na de hiervoor genoemde 3 seconden uitschakelt, blijft er een stroming van ten minste 170 L/min bestaan. Vanwege een ingebouwde stromingsensor regelt en behoudt de e3000X continu een correcte stroming gedurende de volledige werking die hoger is dan 170 L/min.
- Zoals vermeld, heeft de e3000X een visueel en hoorbaar waarschuwings signaal

(afb. 5) voor een lage accuspanning en een ontbrekende, verstopte of verkeerd geplaatste filter. Als er een waarschuwingssignaal wordt geactiveerd, moet u de gevaarzone onmiddellijk verlaten!

Controleer het alarm voor een lage luchtstroming/verstopte filter door een lage luchtstroming als volgt te simuleren:

verwijder de slang van de helm, terwijl de e3000X-unit is ingeschakeld, en bedek het uiteinde van de slang stevig met de palm van uw schone hand; de motor zal dan automatisch versnellen in een poging de toestand van de lage luchtstroming te compenseren. Houd uw handpalm stevig op het slanguiteinde gedrukt, waardoor u een dichte verzegeling maakt. Wanneer u een dichte verzegeling hebt gemaakt, geeft de unit een hoorbaar alarm en wordt de rode LED van de filter ingeschakeld.

- Druk gedurende ca. 3 seconden op de knop Aan/uit om het alarm te stoppen en sluit de slang op de helm aan.
- Controleer of de veiligheidshelm niet beschadigd is, zet deze op en gesp de PAPR om de heup.
- Start de ventilator en verifieer of de lucht normaal in de veiligheidshelm circuleert.

In geval van beschadiging moet u het defecte onderdeel vervangen, voordat u de PAPR gaat gebruiken.

Werking

Grootte van de gordel aanpassen: trek de gordel aan (afb. 6) en stel de grootte zo in dat de ventilatorunit comfortabel op de heup zit.

Luchtslang weghalen: druk de slang aansluiting aan beide zijden in en haal deze los van het tegenstuk (afb. 7).

Accu plaatsen: de accu moet in de betreffende schuifrail aan de rechteronderkant van de e3000X worden geplaatst. Schuif de accu erin totdat u een klik hoort (afb. 8). Accu eruit halen en opladen: trek de openingshendel van het afdekplaatje op de accu terug en trek deze uit de schuifrail totdat deze volledig uit de ventilatorunit is verwijderd (afb. 9). Sluit de accu daarna op het laadapparaat aan (afb. 10). Het laadproces wordt via de geel verlichte LED op het laadapparaat weergegeven. Wanneer het laden is voltooid, wordt de LED groen en wordt de druppellaadmodus ingeschakeld. Controleer of de spanning in het stopcontact overeenkomt met de opgegeven spanning van de oplader.

WAARSCHUWING

- Opregel P / N 4553.020 Lithium-ionbatterijen kunnen alleen worden opgeladen met een Opregel-oplader (P / N 4551.070) met behulp van de Amerikaanse stekker. Het gebruik van andere opladers kan explosies veroorzaken die letsel of de dood tot gevolg hebben.
- Opregel laders (P / N 4551.070) zijn uitsluitend voor gebruik binnenshuis en mogen niet worden blootgesteld aan elementen buitenshuis. Laad de batterij niet op bij een temperatuur lager dan 32 ° F of hoger dan 0 ° C -45 ° C. Laad de batterij niet op in de buurt van ontvlambare materialen zoals dozen, papier en meubels.
- Het opladen van de batterij moet op een veilige, niet-gevaarlijke locatie gebeuren. Laad de batterij niet op of berg deze niet op in de buurt van het lasapparaat.
- Stel de lithium-ion-cellen niet bloot aan water of laat ze nat worden. Incidentele blootstelling van het batterijpakket aan water is aanvaardbaar mits de lithium-ioncellen droog blijven.
- Demonteer of wijzig de batterijen niet. De batterijen bevatten veiligheids- en beschermende apparaten die, als ze beschadigd zijn, de batterijen hitte kunnen laten ontwikkelen, ontploffen of ontbranden.

WAARSCHUWING

- Plaats de batterij niet in direct zonlicht of gebruik of bewaar de batterij niet in de buurt van een warmtebron of vlamboog.
- Het negeren van deze waarschuwingen kan leiden tot ernstig persoonlijk letsel, ernstige ziekte of overlijden.

VOORZICHTIGHEID

- Opregel beveelt aan dat de batterij wordt opgeladen en opgeslagen bij een temperatuur tussen 4,5 ° C en 26,7 ° C (40 ° F en 80 ° F). Opladen bij hogere temperaturen veroorzaakt een vermindering van de capaciteit en verkort de levensduur van de batterij.
 - Wees voorzichtig om te voorkomen dat de cellen doorboren of scheuren.
 - Als de lithiumbatterij is beschadigd, lijkt op te zweven, lek raakt of tijdens het opladen abnormaal heet wordt, stop dan onmiddellijk het gebruik en bewaar hem in een vuurbestendige container totdat deze kan worden gerecycleerd.
 - Laat de batterij niet langer dan 70 uur aan de oplader hangen.
- Controleer de batterijstatus: druk kort op de Aan / Uit-knop en de LED zal knipperen. Controleer de laadstatus van de batterij op de onderste schaal.

Aanpassen stroming: De ventilator heeft drie luchtstromingniveaus: 170/120/240

L/min. Om het luchtstromingsniveau te wijzigen bladert u door de verschillende stromingsniveaus door op de luchtstromingsknop te drukken totdat u het gewenste luchtstromingsniveau hebt bereikt. (Afb. 11)

Vervangen hoofdfilter en voorfilter: vervang de voorfilter, wanneer een filteralarm heeft gereageerd (afb. 12). Bewaak de tijd tussen filteralarms. Bij elke vervanging van de voorfilter wordt deze periode naar verwachting korter. Als u naar eigen oordeel vindt dat het vervangingsinterval te kort wordt, is het raadzaam om de hoofdfilter en voorfilter te vervangen. (Afb. 13)

Alarmwerking

Alarm verstopte filter: als het alarm voor verstopte filter wordt ingeschakeld, wordt de LED rood verlicht. Zonder actie, veranderen de stroomniveaus III en II naar één lager. Druk gedurende 2 seconden op de knop Aan/uit om de e3000X uit te schakelen voor het vervangen van de voorfilter en hoofdfilter. Nu kunt u de filters vervangen. Als u de e3000X bij een alarm niet uitschakelt, werkt deze nog 15 minuten door voordat deze automatisch uitschakelt.

Accualarm: als het accualarm wordt ingeschakeld, wordt de LED rood verlicht. Het hoorbare alarm piept één keer per seconde en de unit kan nog ca. 30 minuten werken. Na deze periode schakelt de e3000X uit.

Opslag

Het e3000X-systeem en zijn accessoires moeten op een droge plaats worden opgeslagen. Bescherm deze tegen zonlicht, hoge temperaturen en tegen koolwaterstoffen en dampen van oplosmiddelen

Onderhoud

Controleer de veiligheidshelm regelmatig in overeenstemming met de gebruiksaanwijzing. Controleer de gelaatsafdekking en het luchtmondstuk op gaten, scheuren of andere schade en controleer of deze correct op de helm zijn geplaatst (zie gebruiksaanwijzing). Gebruik het systeem niet totdat alle versleten of beschadigde onderdelen zijn vervangen.

Onderhoudschema	
Activiteiten	Systeem in gebruik
Reiniging, desinfectie	Na elk gebruik
Visuele inspectie	Voor en na elk gebruik
De accu laden	Na elk gebruik
Vervang de afdichting tussen de hoofdfilter en de ventilatorunit.	Alleen vervangen als de afdichting versleten of beschadigd is, maar minstens één keer per jaar.

Opret adviseert om het apparaat minstens één keer per jaar te laten onderhouden door een Opret-gekwalificeerd bedrijf.

Als de unit is opgeslagen, moet de accu elke 4 maanden worden opgeladen.

Reiniging en desinfectie

Gebruik een schone, met zeepwater bevochtigde doek, reinig de ventilator, de luchtslang en de veiligheidshelm. Laat de unit drogen bij kamertemperatuur. Gebruik geen krachtige reinigingsmiddelen, oplosmiddelen, alcohol of reinigingsmiddelen met schuurmiddelen. De gelaatsafdichting is wasbaar (handwas, niet centrifugerend).

Technische specificaties

(Wij behouden ons het recht voor technische wijzigingen door te voeren)

Nominale beschermingsfactor	Europa: TH3P-classificatie (TH2 hard hat) Australië: P3-classificatie
Ventilatorunit	Debiet: Niveau 1: min. 170 L/min Niveau 2: min. 210 L/min Niveau 3: min. 240 L/min
Materiaal	PC+ABS
Ventilator	Duurzame, borstelloze motor met kogellagers van hoge kwaliteit
Zekering	Elektronische zekering
Accu	Type: li-ion oplaadbaar Spanning/vermogen: 14,8 V/3,25 Ah Laadcyclus: > 500 Werkijd niveau 1* 18 u Werkijd niveau 2* 16 u Werkijd niveau 3* 13 u Laadtijd: ca. 5 u Gewicht: 420 g/14,815 oz Kleur: zwart *min. werkdijd is met nieuwe filter bij kamertemperatuur

Geluidsniveau	Max. 70 dB(A)
Waarschuwingssignalen	Optisch en hoorbaar alarm voor lage spanning, verstopte filter, geen filter en laag debiet
Filter	1 x type TH3P R SL voor TH3P-systeem (Europa)/TH3P-systeem (Australië)
Luchtslang	Lengte: 1160 mm (elastisch tot 1300 mm met beschermhuls) Diameter: 31 mm (inwendig) Gewicht: 185 g/6,526 oz (zonder beschermhuls) Kleur: zwart
Gewicht	1195 g/42,152 oz (incl. filter en gordel, exclusief accu)
Afmetingen	L x b x h: 222 x 213 x 92,6 mm
Normen	EN 12941:1998/A2:2008, EAC TP TC 019/2011, AS/NZS 1716
Aangemelde instantie	CE 1024

Probleemoplossing

Ventilator start niet

→ Controleer of de accu correct is geplaatst.

→ Controleer of de accu volledig is geladen.

Filteralarm is ingeschakeld, zelfs als de hoofdfilter en voorfilter zijn vervangen en naar behoren zijn geïnstalleerd

→ Interne fout e3000X

→ Breng de 3000 terug naar de dealer bij u in de buurt

Werkijd accu wordt zeer kort

→ Defecte accu – vervang de gebruikte accu en gooi deze weg in overeenstemming met de nationale voorschriften voor speciaal afval.

→ Defect laadapparaat – vervangen

Reserveonderdelen (zie deksel I, II, III, IV, V)

- e3000X PAPR
- Hoofdfilter TH3P R SL filter voor TH3P-systeem (Europa)/TH3P-systeem (Australië)
- Voorfilter
- Ontstekingsbeveiliging
- Filterafdekplaatje
- Standaardaccu (Li-ion 48 Wh)
- Voor PAPR geschikte helm
- Slang
- Beschermhuls voor luchtslang (accessoire, niet inbegrepen)

Meer accessoires zijn verkrijgbaar uit onze hoofdcatalogus of via onze website.

Legende (zie deksel)

- A Lees voor gebruik de gebruiksaanwijzing
- B Gebruik voor het openen geen scherpe objecten
- C Breekbare inhoud
- D Opslaan met deze kant omhoog
- E Bescherm tegen vocht
- F Merk aangemelde instantie (ademhalingsbescherming)
- G Markering EAC (Rusland)
- H Markering aangemelde instantie (oogbescherming)
- I Bevat lithium-ionen
- J Kunststof, recyclebaar
- K Aanbevolen opslagtemperatuur: +5 °C tot +25 °C
- L Niet weggooiën met het normale huishoudafval. Gooi het product weg in overeenstemming met de nationale voorschriften voor speciaal afval.

Conformiteitsverklaring

Zie internetadres op de laatste pagina.

Juridische informatie

Dit document voldoet aan de eisen van de EU-verordening 2016/425 punt 1.4 van bijlage II.

Aangemelde instantie

Detailinformatie: zie laatste pagina.

Suomi

Johdanto

Puhallinsuodatin on laite, jota käytetään yhdessä tälle laitteelle sallitun hitsaus- tai hiontakypärän (suojakypärän) kanssa suodattanut raittiin ilman syöttöön. Noudattamalla tätä ohjetta ja käytettävän suojakypärän ohjetta käyttäjä suojaetaan hengitysilman pölystä ja hiukkasista.

Turvaohjeet

Lue nämä käyttöohjeet huolellisesti ennen laitteen käyttöä. Vääränlainen käyttö voi aiheuttaa hengenvaaran tai loukkaantumisriskin ja mitätöidä Optrealin kohdistuvat takuuvaatimukset.

Varoitukset ja turvarajoitukset / riskit

Käytä suojakypärää vain, jos se on liitetty puhaltimeen ja puhallin on toiminnassa. Puhallinta saa käyttää vain sellaisen hengityslaitteen kanssa, joka vastaa eurooppalaisten ja australialaisten standardien vaatimuksia. Tämä PAPP-laitte ei suojaa kaasumaisilla aineilla. Pue laite päällesi ja kytkie siihen virte ennen työskentelyn aloittamista. Vasta sitten on turvallista mennä vaara-alueelle. Jos puhaltimeen tulee toimintahäiriö, poistu vaara-alueelta välittömästi. Kun kuulet tai näet akun varoituksen (punainen LED palaa ja kuuluu äänimerkki), sinun on poistuttava vaara-alueelta välittömästi. Akku on joko ladattava uudelleen tai vaihdettava. Kun kuulet tai näet ilmavirtauksen varoituksen (punainen LED palaa ja kuuluu äänimerkki), poistu vaara-alueelta välittömästi ja vaihda suodatin.

Voimakas sivu- tai takatuuli voi vaikuttaa kypärän antamaan suojaan. Jos ympäristössä on erittäin paljon hiukkassaaostetta, kypärään voi syntyä sisäänhengitettävää alipainetta. Tämä voi heikentää suojausta. Älä riisu tällaisessa tapauksessa kypärää pois päästäsi äläkä kytkie puhallinta pois päältä, ennen kuin olet poistunut vaara-alueelta. Kun risut kypärää, noudata kaikkia tarvittavia varotoimia vällyäksesi hengittämästä pölyä tai pilaantunutta materiaalia, jota on voinut kerääntyä kypärän ulkopinnalle. Älä koskaan upota puhallinta tai akkua veteen, sillä muutoin laite voi vaurioitua. Varmista, että puhdistaaessasi laitetta siihen ei pääse vettä. Käytettyjä suodatimia ei voi puhdistaa eikä kierrättää. Älä yritä puhdistaa suodatinta paineimalla tai vedellä, sillä muutoin suodatin vaurioituu. Älä koskaan oikosulje akkua, sillä seurauksena voi olla hengenvaarallinen vahinko.

PAPP-laitetta ei saa käyttää

- tulenarassa tai räjähdysvaarallisessa ympäristössä,
- jos sisäänhengitysilmassa on niukasti happea (Eurooppa: < 17 %, Australia: < 19 %) tai myrkyttöisyys on niin suuri, että suojausluokka on yli TH3P (Eurooppa ja Australia),
- alle -5 °C:n tai yli +55 °C:n lämpötiloissa,
- ympäristöissä, joissa on välitön hengenvaara tai loukkaantumisriski.

VAROITUS

- Työnantaja tai sinä, jos sinulla ei ole työnantajaa) on vastuussa siitä, että tämä hengityssuojain on sopiva käyttäjän sovellukseen.
- Optrel ei voi enustaa, mikä tapahtuu tämän hengityssuojaimen kanssa kaikissa mahdollisissa ympäristöissä. Materiaalit voivat hyökätä kemiallisesti, jos ne altistuvat väärälle ympäristölle ja voivat aiheuttaa liiallista korroosiota tai muita vaurioita. Kaasujen, nesteiden tai hiukkasten läpäiseminen tai tunkeutuminen materiaaliin läpi voi olla liiallista. Äärimmäiset lämpötilat voivat aiheuttaa tervisen hajoamisen. Jokainen näistä asioista tai niiden yhdistelmä voi luoda olosuhteet, joissa tämä Optrel-hengityssuojain olisi vaarallista käyttää.
- Ennen kuin käytät tätä hengityssuojainta vaaralliseen ympäristöön, sinun on tehtävä turvallisia ja tieteellisiä testejä sen määrittämiseksi, voisiko ympäristö tehdä laitteesta vaarallisen. Tämän testauksen tulokset on dokumentoitava hyvin. Pyydä apua sertifioidusta turvallisuus- tai teollisuushygienististä.
- ÄLÄ KÄYTÄ tätä laitetta, jos käyttäjä vaarantuu millään tavalla ympäristön aiheuttaman materiaalin hajoamisen seurauksena laitteesta.
- Kaikkia tätä Optrel-hengityslaitetta käyttäviä henkilöitä on tiedettävä rajoituksistaan. Emme voi olla vastuussa mistään omaisuusvahingosta, henkilövahingosta tai kuolemasta, jossa ympäristövastuu on vaikuttava tekijä.
- Älä käytä tätä hengityssuojainta, jos kypärän kasvojen ja kasvojen välissä on jokin (esim. Hiukset, sängynpöykä, päällinen jne.). Tämä ehto estää hyvän kypärän tiivisteiden ja voi sallia epäpuhtauksien vuotamisen kypärään.
- Älä käytä tätä hengityssuojainta ympäristöissä, joissa epäpuhtauksien pitoisuudet ovat tuntemattomia tai jotka ovat välittömästi vaarallisia elämälle tai terveydelle (IDLH). IDLH-ilmakehät määritellään seuraavasti:

a. Ne, joita käyttäjä ei voinut hengittää lyhyitä aikoja.

b. Ne, joista käyttäjä ei voinut paeta ilman hengityssuojainta.

c. Ne, joilla on välitön tai viivästynyt haavausvaikutus terveyteen.

• ÄLÄ KOSKAAN käytä tätä hengityssuojainta ilman Optrel HE -suodinta, P / N 4088.100.

• Älä käytä tätä hengityssuojainta, jos ympäristöolosuhteet saattavat aiheuttaa hengityssuojakypärän irtoamisen tai liukumisen.

• Tämä hengityssuojain ei suojaa kaasulta tai höyryiltä. Se on tarkoitettu vain suojaamaan hiukkasmaisia epäpuhtauksia vastaan.

• Palaa välittömästi saastuneelle alueelle, jos:

a. Herkät tai tuokset epäpuhtauksia tai jos silmäsi, nenäsi tai kurkusi tulevat ärsytyiksi.

b. Hengitys vaikeutuu.

c. Hengittävä ilma tulee lämmän.

d. Tunnet pahoinvointia tai huimausta.

e. Huomaat ilmavirran häviämisen tai vähenemisen.

f. Kypärä liikkuu, liukuu tai vuotaa.

g. Tuuntu väsyneeltä.

• Tämä hengityssuojain ei suojaa kehon allittia alueita. Jotkut epäpuhtaudet voivat imeytyä suoraan ihon läpi, kun taas toiset voivat ärsyttää altistuneita alueita.

• Tämä hengityssuojain ei suojaa haitallista melua. Käytä aina oikeaa korvansuojainta.

• Tämä hengityssuojain ei anna hapeta. Älä käytä hengityssuojainta

ilmakehät, jotka sisältävät alle 19% happea tilavuudessa.

• Tätä hengityssuojainta ei saa käyttää veden alla, kaasutuoksissa, sisärankenteisessa palontorjunnassa, liekkipuhallustoiminnassa tai alueilla, joilla pitkäaikainen korkea lämpö tai liekki voivat koskettaa hengityssuojainta.

• Optrel-hengityssuojaimia, lisävarusteita ja niihin liittyviä laitteita ei saa käyttää sellaisissa ilmakehissä, joissa voi olla epäpuhtauspitoisuuksia alemman räjähdystason yläpuolella (LEL).

• Tämä hengityssuojain vähentää, mutta ei poista epäpuhtauksien hengittämistä. Joillakin herkkillä yksilöillä voi olla terveysongelmia, jos olet altistunut jopa pienille määrille epäpuhtauksia. Tämä hengityssuojain ei estä terveysongelmia näille henkilöille.

• Herkistetyillä henkilöillä voi olla vakava reaktio kemikaaleille, jotka ovat selvästi alle hyväksytyjen terveytstasojen, kuten OSHA: n sallitun altistumisen raja-arvon (PEL), ACGIH-kynnysarvon (TLV) tai NIOSH: n suositellat altistumisrajat (REL). ÄLÄ käytä tätä hengityssuojainta, jos olet ollut herkistynyt aikaisemmassa altistumisesta tai oletko sitä mieltä, että saatat olla herkkä tai allerginen jollekin kemialliselle aineelle (esim. Isoyanaatit, lateksi jne.), Kunnes saat lääkärin tilauksen.

• Lue ja noudata aina käyttöturvallisuustiedotteessa olevia ohjeita työalueella olevista kemikaaleista.

• Älä käytä, jos sinulla on jo ennestään ihosairaus (esim. Folliculitit tai vitiligo), kunnes saat lääkärin hoitoa.

• Tätä hengityssuojainta on käytettävä ja käytettävä Optrelin ohjeiden mukaisesti. Älä jätä mitään osaa hengityssuojaimesta tai jätä ohjeiden pakollinen vaihe pois.

• Mitään hengityssuojainta ei voi tarjota täydellistä suojausta kaikissa olosuhteissa. Käytä äärimmäistä huolta hätätilanteissa.

• Käyttäjien tulee puhdistaa ja ylläpitää tätä hengityssuojainta vain Optrelin ohjeiden mukaisesti. Lisävarusteet, joita Optrel ei tarjoa, voivat heikentää suorituskyykyä ja mitätöidä sertifiointin.

• Lopeta käyttä, jos sinulla on ihon ärsytystä tai värinmuutosta.

• Tämä tuote voi tarjota riittävän suojan, jos sitä käytetään epäsuotuisasti, mikä voi aiheuttaa vakavia henkilövahinkoja, vakavia sairauksia tai kuoleman.

• Vain koulutetun ammattitaitoisen henkilökunnan käyttöön.

• Älä käytä tätä hengityssuojainta, jos se on jätetty allttiiksi saastuneessa ympäristössä, koska epäpuhtaudet voivat kerääntyä kypärän sisäpuolelle ja hengittävä kaasu naamon pitoisuus.

• Tavallisesti käytettävät hengityssuojaimet on tarkastettava ennen jokaista käyttöä ja sen jälkeen.

• VIKA VAIKUTTAA KAIKKIIN VAROITUKSIA VOI VOIMASSA VAIKUTTAVASSA HENKILÖKOHTAISISSA VAIKUTUKSESSA, RASKAISISSA VAARASUUDESSA TAI SYÖTÄ.

Jos sinulla on tiettyä sovellusta, laitteen käyttöä tai e3000X-järjestelmän sopivuutta koskevia kysymyksiä, ota yhteyttä Optrelin myyntiosastoon.

Takuu ja vastuu

Oprel korjaa tai vaihtaa tuotteen tarvittaessa, jos tuotteessa ilmenee materiaali- tai valmistusvikoja 24 kuukauden kuluessa ostopäivästä lukien edellyttäen, että tuotetta on käytetty käyttöohjeiden mukaisesti. Takuu mitoittoyy, jos sarjanumeroa on muutettu tai se on poistettu tai lukukelvoton, tai jos tuotetta on tarkoituksellisesti vaurioitettu, käyetty väärin, avattu tai muutettu. Takuu mitoittoyy myös silloin, jos tuotetta on käyetty epäasianmukaisesti tai jos siinä on käyetty muita kuin alkuperäisiä varaosia tai jos sitä ei ole huollettu kunnolla. Takuu kattaa vain ylläisten osien korjauksen ja vaihdon. Oprel ei anna missään olosuhteissa yleisiä vioutumista tai sen seurauksena syntyneitä vaurioita koskevaa takuuta.

Odotettu käyttöikä

e3000X ei ole viimeistä käyttöpäivämäärää. Tuotetta voidaan käyttää niin kauan kuin siinä ei ole näkyviä vaurioita tai piilovaurioita eikä ilmene toimintahäiriöitä.

Käyttötarkoitus

e3000X on sähkökäyttöinen ilmanpuhdistuslaite (PAPR, Powered Air Purifying Respirator), jonka tarkoitus on suojata käyttäjää pölyltä ja pienhiukkasilta. Järjestelmä on TH3P-sertifioitu eurooppalaisen standardin EN 12941: 1998 mukaan ja TH3P-sertifioitu australialaisen standardin AS/NZS 1716: 2012.

e3000X-laitetta käytetään ylläpitämään tuuletusta, helpottamaan hengittämistä ja näin ollen myös vähentämään väsymystä. Ilmavirtausta valvova elektroninen järjestelmä tarkkailee puhallinta sen varmistamiseksi, että jatkuva virtaus on vähintään 170 L/min.

e3000X:n tehokas toiminta-aika arvioiden ladatulla akulla riippuu akun tyypistä ja suodattimen tilasta (ks. teknisen erittelyn taulukko).

Ennen laitteen käyttöönottoa

- Poista eri osien pakkaus huolellisesti.
- Lataa akku kokonaan ennen ensimmäistä käyttöä

Tarkastustaulukko:

Tarkista, onko laite valmis toimituksen laajuuden mukaisesti, eikä mikään ole vaurioitunut. Jos vahinkoa löytyy tai osa puuttuu, ota välittömästi yhteyttä myyntiosastoon. Älä koskaan käytä vaurioitunutta tai puutteellista yksikköä.

Katso

tarkeenmin seuraavat osat

OSAN	ETSÄ
Akku	1. Liitin säröillä tai rikki. 2. Irrotta akkukotelon kansi tai vaurioitunut liitin.
Letku	1. Reiät, leikkaukset tai hankaumat. 2. Vaurioituneet spiraalit.
Vyö / olkahihna	1. Leikkaa, nicks, kyneleitä tai rikkoutuneita ompelaita. 2. Vaurioitunut solki. 3. Löysä laitteisto.

Jos haluat lisätietoja e6000-kasvojenkohotuksesta, käytä kasvojen tiiviteen käyttöohjetta.

Käyttöönotto ja käyttö

Varmista ennen jokaista käyttöä, että e3000X on moitteettomassa kunnossa toimimalla seuraavasti:

1. Tarkista, onko kipinänestin, pääsuodatin ja esisuodatin asennettu oikein ja onko kotelon lukko kiinnitetty kunnolla (kotelon kannen on suljettava napsautuksella) (Kuva 1). Huomaa: Kun niitä käytetään lääketieteiden alalla, kipinäsuojaus ja esisuodattimet voidaan jättää pois hygieenisistä syistä.
2. Tarkista, että ilmaletkussa ja ilmalitittimessä ei ole vaurioita (reiäitä, repeämiä, viiltoja). Liitä ilmaletku kypärään ja puhaltimeen painamalla letkua laitteen vastaosaan, kunnes kuuluu napsahdus. Tämä varmistaa, että letku ei irtoa kevyesti vetämällä. (Kuva 2).
3. Kytke e3000X päälle painamalla virtapainiketta noin 0,5 sekuntia. (Kuva 3). Käynnistymisen aikana kaikki 5 LEDiä (virtaustason valitsimen 3 vihreää LEDiä sekä 2 punaista LEDiä, joista toinen on akun tilan merkivalo ja toinen suodattimen tilan merkivalo – Kuva 4) palavat noin 3 sekunnin ajan ja kuuluu äänimerkki (3 piippausta). Sen jälkeen e3000X on käyttövalmis.
4. Käynnistymisen aikana e3000X suorittaa myös itsestautuksen sen varmistamiseksi, että laitteen tuottama virtaus on oikea eli yli 170 L/min. Jos punainen suodattimen LED sammuu, ennen kuin 3 sekuntia on kulunut, virtaus on vähintään 170 L/min. Sisäänrakennetun virtausanturin ansiosta e3000X valvoo ja ylläpitää oikeaa, määrällään yli 170 L/min olevaa virtausta

koko laitteen käytön ajan.

5. e3000X:ssa on näkyvä ja kuuluva varoitus (Kuva 5) akun matalasta varaustasosta ja puuttuvasta, tukkeutuneesta tai väärin asetetusta suodattimesta. Jos kuulet tai näet varoituksen, poistu välittömästi vaara-alueelta!

Tarkista alhaisen ilmavirtauksen tai suodattimen tukkeutumisen hälytys simuloimalla alhaisen ilmavirtauksen tila seuraavasti:

- Irrota letku kypärästä e3000X-laitteen ollessa kytkettynä päälle, ja peitä letkun pää tiukasti puhtaalla kämmenellä. Tällöin moottorin käyntinopeus kasvaa huomattavasti, koska moottori pyrkii kompensamaan alhaisen ilmavirtauksen. Pidä kämmettä edelleen tiukasti letkun päätä vasten, jolloin muodostuu pitävä tiiviste. Kun tiiviste on pitävä, laitteesta kuuluu äänimerkki ja punainen suodattimen LED syttyy.
6. Hiljennä äänimerkki painamalla virtapainiketta noin 3 sekuntia, ja liitä letku kypärään.
7. Varmista, että suojakypärä on vahingoittumaton, aseta se päähäsi ja kiinnitä PAPR-lantioles.
8. Käynnistä puhallin ja varmista, että ilma kiertää suojakypärässä normaalisti. Jos havaitset vaurioita, vaihda ylläiset osat ennen PAPR-laitteen käyttöä.

Käyttötila

Vyön koon säätäminen: Pue vyö päällesi (Kuva 6) ja säädä sen koko niin, että puhallin asettu mukavasti lantioles.

Ilmaletkun irrottaminen: Työnnä letkuliitäntää kummaltakin puolelta, ja irrota se vastaosasta (Kuva 7).

Akun asentaminen: Akku on asetettava e3000X:n pohjassa olevaan ohjauskiskoon oikealle puolelle. Liuuta akku, kunnes kuulet napsahduksen (Kuva 8).

Akun irrottaminen ja lataaminen: Vedä akun suojuksen irrotuskahvaa taaksepäin, ja vedä akku ohjauskiskosta, kunnes se on kokonaan irti puhaltimesta (Kuva 9). Liitä akku sitten laturiin (Kuva 10). Latauksen aikana laturissa palaa keltainen LED. Kun lataus on suoritettu, LED muuttuu vihreäksi ja kestoletkusta aktivoituu. Tarkista, että pistorasian jännite vastaa laturin määritettyä jännitettä.

VAROITUS

- Oprel P / N 4553.020 Litiumioniakkuja voidaan ladata vain Oprel-laturilla (P / N 4551.070) yhdysvaltalaisen pistokkeen avulla. Muiden laturien käyttö voi aiheuttaa räjähdyksiä, jotka voivat aiheuttaa loukkaantumisen tai kuoleman.
- Oprel-laturit (P / N 4551.070) on tarkoitettu vain sisäkäyttöön eikä niitä saa altistaa ulkoelementeille. Älä lataa akkua alle 32 ° F tai yli 113 ° F (0 - 45 ° C). Älä lataa akkua syttyvien materiaalien, kuten laatikoiden, paperin ja huonekalujen, lähellä.
- Akun lataus on tehtävä turvallisessa, vaarattomassa paikassa. Älä lataa tai säilytä akkua hitsauslaitteen läheisyydessä.
- Älä altista litiumionisoluja vedelle tai anna niiden kastua. Akun vahingossa tapahtuva altistuminen vedelle on hyväksyttävää edellyttäen, että litiumionisolut pysyvät kuivina.
- Älä pura tai muuta akkua. Paristot sisältävät turvallisuu- ja suojaalaitteita, jotka voivat vaurioitua aiheuttaa akkujen lämpöä, räjähtää tai syttyä.

VAROITUS

- Älä aseta akkua suoraan auringonvaloon tai käytä tai säilytä akkua lämmön tai sähkökaaren lähelle.
- Näiden varoitusten noudattamatta jättäminen voi aiheuttaa vakavia henkilövahinkoja, vakavia sairauksia tai kuoleman.

VAROITUS

- Oprel suosittellee, että akku ladataan ja säilytetään lämpötiloissa, jotka ovat välillä 40 ° F - 80 ° F (4,5 - 26,7 ° C). Lataaminen korkeammissa lämpötiloissa vähentää kapasiteettia ja vähentää akun käyttöikää.
- Ole varovainen, jotta estät solujen repeytymisen tai rikkoutumisen.
- Jos litiumakku on vaurioitunut, näyttää paisuvan, vuotaa sähköä tai joutuu epätavallisen kuumaksi latauksen aikana, lopeta sen käyttö välittömästi ja säilytä tulenkästävässä astiassa, kunnes se voidaan kiertää.
- Älä jätä akkua laturiin yli 70 tunniksi.

Tarkista akun tila: Paina lyhyesti virtapainiketta ja LED vilkkuu. Tarkista akun varaustila matalammassa mittakaavassa.

Virtauksen säätäminen: Puhallitmissa on kolme ilmavirtauksen tasoa: 170/210/240 L/min. Voit muuttaa tasoa painamalla ilmavirtauspainiketta ja kiertämällä sitä, kunnes olet haluumasi virtaustason kohdalla. (Kuva 11).

Pääsuodattimen ja esisuodattimen vaihtaminen: Suodatinhäilytyksen lauetessa esisuodatin on vaihdettava (Kuva 12). Tarkkaile suodatinhäilytyksen välistä aikaa. Aikaväli yleensä lyhenee esisuodattimen jokaisen vaihdon yhteydessä. Jos vaihtoväli tulee mielestäsi liian lyhyeksi, on suositeltavaa vaihtaa pääsuodatin ja esisuodatin. (Kuva 13).

Hälytystoiminto

Suodattimen tukkeutumisen hälytys: Jos suodattimen tukkeutumisen hälytys kytketty päälle, LED palaa punaisena. Ilman toimintaa, virtaustasot III ja II muuttuvat yhdeksi alemmaksi. Vaihdaaksesi esisuodattimen ja pääsuodattimen kytke e3000X pois päältä painamalla virtapainiketta 2 sekuntia. Sen jälkeen voit vaihtaa suodattimet. Jos et kytke e3000X:ta pois päältä häilytyksen aikana, häilytys jatkuu 15 minuuttia, ennen kuin se lakkaa automaattisesti.

Akun hälytys: Jos akun häilytys kytketty päälle, LED palaa punaisena. Äänimerkki kuuluu kerran sekunnissa, ja laite toimii vielä noin 30 minuuttia. Sen jälkeen e3000X kytketty pois päältä.

Varastointi

e3000X-järjestelmä ja sen lisävarusteet on säilytettävä kuivassa paikassa. Suojaa järjestelmä auringonvalolta, kuumuudelta, hiiliinedylyltä ja liuotehöyryiltä. Huolto

Tarkista suojakypärä säännöllisesti käyttöohjeiden mukaisesti. Tarkista kasvosuojus ja ilmasuutin reikien, halkeamien ja muiden vaurioiden varalta, ja tarkista, että kasvosuojus ja ilmasuutin on asetettu kypärään oikein (ks. käyttöohjeet). Älä käytä järjestelmää, ennen kuin kaikki kuluneet tai vaurioituneet osat on vaihdettu.

Huoltosuunnitelma	
Toimi	Ajankohta
Puhdistus, desinfiointi	Jokaisen käytön jälkeen
Silmämääräinen tarkastus	Ennen jokaista käyttöä ja jokaisen käytön jälkeen
Akun lataus	Jokaisen käytön jälkeen
Pääsuodattimen ja puhaltimen välisen tiivisteiden vaihto	Vaihda tiivisteet vain, jos se on kulunut loppuun tai vaurioitunut, mutta vähintään kerran vuodessa.

Oprel suosittelee, että Oprelin pätevä yritys huoltaa laitetta vähintään kerran vuodessa. Jos laite on varastossa, akku on ladattava uudelleen joka 4. kuukausi. Puhdistus ja desinfiointi

Puhdistapuhallin, ilmaletku ja turvakypärä puhtaalla, saippuaveteen kostutetulla liinalla. Jätä laite kuivumaan huoneenlämpöön. Älä käytä voimakkaita pesuaineita, liuotteita, alkoholia tai hankaavia puhdistusaineita. Kasvosuojus on pesunkestävä (käsinpesu, ei linkousta).

Tekninen erittely

(Pidätämme oikeuden teknisiin muutoksiin.)

Nimellisujakerroin	Eurooppa: TH3P-luokitus (TH2 hard hat) Australia: P3-luokitus
Puhallinlyksikkö	Virtausmäärät: Taso 1: väh. 170 L/min Taso 2: väh. 210 L/min Taso 3: väh. 240 L/min
Materiaali	PC+ABS
Puhallin	Laadukas pitkäikäinen harjaton kuulalaakerimoottori
Sulake	Sähköinen sulake
Akku	<p>Tyyppi: Li-ion</p> <p>Jännite/sähkövaraus: 14,8 V / 3,25 Ah</p> <p>Latausjaksot: > 500</p> <p>Toiminta-aika, taso 1* 18 h</p> <p>Toiminta-aika, taso 2* 16 h</p> <p>Toiminta-aika, taso 3* 13 h</p> <p>Latausaika: noin 5 h</p> <p>Paino: 420 g / 14,815 oz</p> <p>Väri: musta</p> <p>*vähimmäistoiminta-aika uudella suodattimella huoneenlämmössä</p>

Melutaso	Enint. 70 dB(A)
Varoitussignaalit	Alhaisen virran, tukkeutuneen suodattimen, suodattimen puuttumisen ja alhaisen virtauksen näkyvä ja kuuluva häilytys
Suodatin	1 x TH3P R SL TH3P-järjestelmälle (Eurooppa) / TH3P-järjestelmälle (Australia)
Ilmaletku	Pituus: 1 160 mm (joustava 1 300 mm:iin saakka ja suojaholkki) Läpimitta: 31 mm (sisäpuolelta) Paino: 185 g / 6,526 oz (ilman suojaholkkia) Väri: musta
Paino	1 195 g / 42,152 oz (sis. suodatin ja vyö ilman akkua)
Mitat	P x L x K: 222 x 213 x 92,6 mm
Standardit	EN 12941:1998 / A2:2008, EAC TP TC 019/2011, AS/NZS 1716
Ilmoitettu laitos	CE 1024

Vianetsintä

Puhallin ei käynnisty.

→ Varmista, että akku on asennettu oikein.

→ Varmista, että akku on ladattu täyteen.

Suodattimen varoitus on aktiivinen, vaikka pääsuodatin ja esisuodatin on vaihdettu ja asennettu kunnolla.

→ e3000X:n sisäinen vika

→ Palauta e3000X lähimmälle jälleenmyyjälle.

Akun toiminta-aika on hyvin lyhyt.

→ Viallinen akku – vaihda, ja hävitä käytetty akku erityisjätettä koskevien kansallisten määräysten mukaisesti.

→ Viallinen laturi – vaihda.

Varaosat (ks. kansi I, II, III, IV, V)

1 e3000X PAPER

2 Pääsuodatin TH3P R SL, suodatin TH3P-järjestelmiin (Eurooppa) / TH3P-järjestelmiin (Australia)

3 Esisuodatin

4 Kipinasuoja

5 Suodattimen kansi

6 Vakioakku (Li-ion 48 Wh)

7 PAPR-yhteensopiva kypärä

9 Letku

10 Ilmaletkun suojaholkki (lisävaruste, ei sisälly)

Muita lisävarusteita voi hankkia pääkuivaston tai Internet-sivujemme kautta.

Selitykset (ks. kansi)

A Lue käyttöohjeet ennen käyttöä.

B Älä käytä avaamiseen teräviä esineitä.

C Sisältö on helposti särkyvä.

D Säilytä tämä puoli ylöspäin.

E Suojaa kosteudelta.

F Ilmoitetun laitoksen merkki (hengityssuojain)

G Merkki EAC (Venäjä)

H Ilmoitetun laitoksen merkki (silmiensuojus)

I Sisältää litium-ioneja.

J Muovia, kierrätettävä.

K Suositeltu varastointilämpötila: +5...+25 °C.

L Ei saa hävittää tavallisen talousjätteen mukana. Hävitä erityisjätettä koskevien kansallisten määräysten mukaisesti.

Vaatimustenmukaisuusvakuutus

Internetosoite löytyy viimeiseltä sivulta.

Oikeudelliset tiedot

Tämä asiakirja vastaa EU-asetuksen 2016/425 III liitteen 1.4 kohdan vaatimuksia.

Ilmoitettu laitos

Yksityiskohtaiset tiedot löydät viimeiseltä sivulta.

Dansk

Introduktion

Et ventilatorfilterapparat er et apparat som i forbindelse med en godkendt svejse- eller slibebehjelm (beskyttelseshjelm) bruges til at forsyne disse med filteret frisk luft. Hvis denne vejledning samt vejledningen til den anvendte beskyttelseshjelm følges, beskyttes brugeren mod støv og partikler i åndeluften. Sikkerhedsvejledning

Læs denne betjeningsvejledning omhyggeligt, før du bruger udstyret. Forkert brug kan udgøre en fare for liv og lemmer og medføre, at garantikrav over for Optrel bliver ugyldige.

Advarsler og sikkerhedsbegrænsninger/ risici

Brug kun beskyttelseshjelmen, hvis den er sluttet til blæseren, og blæseren kører. Blæseren må kun anvendes sammen med luftforsynet åndedrætsværn, der opfylder kravene i de europæiske og australske standarder. Denne PAPR-enhed yder ikke beskyttelse mod substanser i gasform. Tag enheden på, og start den, før arbejdet påbegyndes; først da er det sikkert at betrede farezonen. Forlad omgænde farezonen, hvis blæseren ikke fungerer korrekt. Så snart batteriadvarslen opstår (en rød LED lyser, og der høres et lydsignal), skal farezonen omgænde forlades. Oplad eller udskift batteriet. Så snart luftflowadvarslen opstår (en rød LED lyser, og der høres et lydsignal), skal farezonen omgænde forlades og filteret udskiftes.

Kraftig vind fra siden eller bagfra kan have betydning for den beskyttelse, som hjelmen yder. I tilfælde af miljøer med utroligt kraftig partikelforurening kan indånding medføre meget lavt tryk i hjelmen. Dette vil kunne forringe beskyttelsen. Undlad i så tilfælde at tage hjelmen af eller slukke for blæseren, før du er ude af farezonen. Når du tager hjelmen af, skal du træffe alle nødvendige forebyggende foranstaltninger for at undgå, at du indånder støv eller kontamineret materiale, som kan være samlet på ydersiden af hjelmen. Sænk aldrig blæseren eller batteriet ned i vand, da det kan beskadige enheden. Sørg for, at der ikke kommer vand ind i enheden, når du rengør den. Brugte filtre kan ikke rengøres eller genbruges. Filtrene kan lide skade, hvis der gøres forsøg på at rengøre dem med luft eller vand under tryk. Undlad at fortsætte batteriet; det kan forårsage alvorlig skade.

Denne PAPR må ikke bruges

– i brandfarlige eller eksplosive miljøer

– hvis den indåndede luft indeholder for lidt ilt (Europa: <17 %, Australien: <19 %), eller hvis koncentrationen af toksiner er så høj, at der skal bruges et beskyttelsesglas på mere end TH3P (Europa og Australien)

– ved temperaturer under -5 °C eller over +55 °C

– i miljøer, hvor der er umiddelbar fare for liv og lemmer

ADVARSEL

• Din arbejdsgiver (eller hvis du ikke har en arbejdsgiver) er ansvarlig for at fastslå, at denne respirator er egnet til brugerens ansøgning.

• Optrel kan ikke forudsige, hvad der vil ske med denne åndedrætsværn i alle mulige omgivelser. Materialer kan blive kemisk angrebet, hvis de udsættes for det forkerte miljø og kan udvise for stor korrosion eller andre former for skade. Permeation eller indtrængning af gasser, væsker eller partikler gennem materialerne kunne være overdreven. Ekstreme temperaturer kan forårsage termisk nedbrydning. Hver af disse ting eller en kombination af dem kan skabe betingelser, hvor denne Optrel respirator ville være farlig at bruge.

• Før du går i et farligt miljø, mens du bruger dette åndedrætsværn, skal du foretage sikre, videnskabelige tests for at afgøre, om miljøet kan gøre udstyret uskikket. Resultaterne af denne test skal være velokumenteret. Sørg hjælp fra en certificeret sikkerheds- eller industriel hygiejner. BRUG IKKE dette udstyr, hvis brugeren på nogen måde trues med miljømæssigt induceret nedbrydning af materialerne i apparatet.

• Alle personer, der bruger dette Optrel-pusteapparat, skal gøres opmærksom på dets begrænsninger. Vi kan ikke være ansvarlig for skade på ejendom, personskade eller død, hvor miljømæssig forurening er en medvirkende faktor.

• Brug ikke denne åndedrætsværn, hvis der kommer noget mellem hjelmen facadeel og dit ansigt (for eksempel hår, bandana, hovedbeklædning osv.). Denne tilstand forhindrer en god hjemløftsejling og kan tillade lækage af forurenende stoffer i hjelmen.

• Brug ikke denne åndedrætsværn i miljøer, hvor koncentrationerne af forurenende stoffer er ukendte eller umiddelbart farlige for liv eller sundhed (IDLH). IDLH atmosfærer defineres som:

a. Dem, som bærer den ikke kunne trække vejret i korte perioder.

b. Dem, hvorfra brugeren ikke kunne undslippe uden hjælp af en åndedrætsværn.

c. Dem, der har en øjeblikkelig eller forsinket sundhedsskadelig virkning.

• Brug ALDRIG denne åndedrætsværn uden Optrel HE filter, P/N 4088.100.

• Brug ikke denne åndedrætsværn, hvor miljømæssige forhold kan forårsage at respiratorhjelmen løses eller glider.

• Denne åndedrætsværn beskytter ikke mod gasser eller dampe. Det er kun til beskyttelse mod partikelformige forurenende stoffer.

• Straks vende tilbage til et ikke-forurenende område, hvis:

a. Du smager eller lugter forurenende stoffer, eller hvis dine øjne, næse eller hals bliver irriteret.

b. Vejtrækning bliver vanskelig.

c. Den luft, du trækker vejret bliver ubehageligt varm.

d. Du føler dig kvalme eller svimmel.

e. Du mærker et tab eller et fald i luftstrømmen.

f. Hjelmen bevæger sig, glider eller løkker.

g. Du føler dig trætt.

• Denne åndedrætsværn beskytter ikke udsatte områder af kroppen. Nogle forureninger kan absorberes direkte gennem huden, mens andre kan irritere udsatte områder.

• Denne åndedrætsværn giver ikke beskyttelse mod skadelig støj. Brug altid ordentlig ørebeskyttelse.

• Denne åndedrætsværn leverer ikke ilt. Brug ikke åndedrætsværn i

atmosfærer indeholdende mindre end 19% oxygen-volumen.

• Denne åndedrætsværn må ikke anvendes under vand, til røgdannelse, indvendig struktur brandbekæmpelse, slibningsoperationer eller i områder, hvor langvarig varighed af høj varme eller flammer kan komme i kontakt med åndedrætsværn.

• Optrel-åndedrætsværn, tilbehør og tilhørende udstyr bør ikke anvendes i atmosfærer, der kan indeholde forurenende koncentrationer over det nedre eksplosive niveau (LEL).

• Denne åndedrætsværn vil reducere, men vil ikke eliminere indånding af forurenende stoffer. Nogle følsomme personer kan opleve sundhedsmæssige problemer, når de udsættes for lige små mængder af forurenende stoffer. Denne åndedrætsværn vil ikke forhindre sundhedsmæssige problemer for disse personer.

• Sensibiliserede personer kan have en alvorlig reaktion på kemikalier i niveauer, der ligger langt under acceptable sundhedsniveauer, såsom OSHA Permissible Exposure Limit (PEL), ACGIH Threshold Limit Value (TLV) eller NIOSH anbefalede Eksponeringsgrænser (REL). BRUG IKKE denne åndedrætsværn, hvis du har været følsom over for tidligere eksposering eller tro at du kan være følsom eller allergisk overfor enhver kemikalie (fx isocyanater, latex osv.). Indtil du får clearance fra en læge.

• Læs altid og følg instruktionerne i sikkerhedsdatabladet for de kemikalier, der er til stede på arbejdsområdet.

• Brug ikke, hvis du har en tidligere eksisterende tilstand (foliculitis eller vitiligo), indtil du får clearance fra en læge.

• Dette åndedrætsværn må bæres og anvendes som angivet i Optrels instruktioner. Undgå at forlade nogen del af åndedrætsværn eller udgå et obligatorisk trin i instruktionerne.

• Ingen åndedrætsværn kan give fuldstændig beskyttelse fra alle forhold. Vær forsigtig med nedsituationer.

• Brugere skal kun rengøre og vedligeholde denne åndedrætsværn i overensstemmelse med Optrels instruktioner. Tilbehør, der ikke tilbydes af Optrel, kan nedbryde ydeevnen og annullere certificering.

• Afbryd brugen, hvis du oplever hudirritation eller misfarvning.

• Dette produkt kan give mindre end tilstrækkelig beskyttelse, hvis den anvendes uhjælpeligt, hvilket kan medføre alvorlige personskade, alvorlig sygdom eller død.

• Kun til brug af uddannet kvalificeret personale.

• Brug ikke denne åndedrætsværn, hvis den er blevet udsat for et forurenende miljø, da forurenende stoffer kan samle sig på indersiden af hjelmen og indåndes, når gasmasken er dækket.

• Rutinemæssigt anvendte åndedrætsværn skal inspiceres før og efter hver brug.

• Manglende opmærksomhed på alle advarsler kan resultere i alvorlig personskade, alvorlig ulykke eller død.

Hvis du har spørgsmål til den konkrete anvendelse og brug af e3000X-systemet

eller systemets egnethed, skal du kontakte salgsafdelingen hos Optrel.

Garanti og ansvar

Optrel vil om nødvendigt reparere eller erstatte produktet i tilfælde af materiale- eller produktionsfejl inden for 24 måneder fra købsdato, hvis produktet har været anvendt i overensstemmelse med godkendt brug som beskrevet i betjeningsvejledningen.

Garantien bortfalder, hvis serienummeret er ændret, fjernet eller gjort ulæseligt, eller hvis produktet forsætligt er blevet beskadiget, brugt forkert, åbnet eller modificeret. Garantien bortfalder også, hvis produktet er brugt forkert, ikke-originale reservedele er anvendt, eller hvis det ikke er korrekt serviceret.

Garantien dækker kun reparationer eller udskiftning af defekte dele. Optrel påtager sig under ingen omstændigheder garantiansvar for generelle nedbrud eller følgeskader.

Forventet levetid

e3000X har ingen udløbsdato. Produktet kan bruges, så længe der ikke optræder synlige eller usynlige skader eller funktionsfejl.

Anvendelsesområde

e3000X er en PAPR-enhed (Powered Air Purifying Respirator) til beskyttelse mod støv og partikler. Dette system er TH3P-certificeret i henhold til den europæiske standard EN 12941:1998 og TH3P-certificeret i henhold til den australske standard AS/NZS 1716:2012.

e3000X bruges til at understøtte vejtrækningen og reducere de kræfter, der kræves for at ånde, så det er mindre trættende i brug. Det elektroniske system til kontrol af luftflowet overvåger blæseren for at sikre en konstant gennemstrømning på mindst 170 L/min.

Den effektive driftstid for e3000X med fuldt opladet batteri afhænger af batteritypen og filterets tilstand (se tabellen med tekniske specifikationer).

Forud for eftersyn før brug og test

• Fjern forsigtigt emballagen fra de forskellige dele.

• Oplad batteriet helt inden første brug

Inspektionsbord:

Kontroller, om enheden er færdig i overensstemmelse med leveringsomfanget, og intet er blevet beskadiget. Hvis der opdages skade eller mangler en del, skal du

straks kontakte salgsafdelingen. Brug aldrig en beskadiget eller ufuldstændig enhed. Venligst se nærmere på følgende komponenter:

KOMPONENT	LEDE EFTER
Batteri	1. Connector krakket eller brudt. 2. Løst batteridækselåge eller beskadiget stik.
Slange	1. Huller, udskæring eller sid. 2. Beskadigede spiraler.
Bælte / skulderstøtte	1. Nedskæringer, nicks, tårer eller brudte søm. 2. Beskadiget spænde. 3. Løs hardware.

For al information om e600 faceseal, brug venligst manualen til ansigtforsegling.

Eftersyn og test før brug

Hver gang før e3000X skal bruges, skal du sikre, at den er i fejlfri stand. Gør som følger:

1. Sørg for, at hovedfilteret og forfilteret sidder rigtigt i, og at grebet til aftagning af kappen sidder godt fast (kappen skal lukke i med et klik) (fig. 1).
2. Kontrollér luftslangen og lufttilslutningerne for skade (huller, rifter, snit). Slut luftslangen til hjelmen og blæseren ved at presse slangen på den tilhørende del på enheden, indtil der høres et klik, som betyder, at den ikke kan fjernes med et let træk (fig. 2).
3. Tænd for e3000X ved at holde tænd/sluk-knappen inde i ca. 0,5 sekunder (fig. 3). Under den ca. 3 sekunder lange startsekvens, tændes alle 5 LED'er (3 LED'er lyser grønt for valg af flow, og 2 LED'er lyser rødt, hvoraf en viser batteristatus og den anden filterstatus - fig. 4), og der høres en alarm (3 bip). e3000X er derefter klar til brug.
4. Under startsekvensen foretager e3000X først en selvkontrol for at sikre, at enheden kan levere et korrekt flow på mere end 170 L/min. Hvis den røde LED for filter slukker, når disse 3 sekunder er gået, kan der holdes et flow på mindst 170 L/min. e3000X har en indbygget flowsensor, der kontrollerer og løbende opretholder et korrekt flow på mere end 170 L/min hele tiden, mens enheden bruges.
5. Som nævnt har e3000X en visuel og akustisk advarsel (fig. 5), hvis

batteriniveauet er lavt, og filteret mangler, er tilstoppet eller monteret forkert. Hvis advarslen udløses, skal du forlade farezonen med det samme!

Tjek alarmen for lavt flow/tilstoppet filter ved at simulere lavt flow som følger: Fjern slangen fra hjelmen, mens der er tændt for e3000X, og luk helt af for slangen med en ren håndflade. Motoren kører automatisk op, idet den forsøger at kompensere for det lave flow. Fortsæt med at presse håndfladen fast ind mod enden af slangen, så den lukker helt til. Når du har fået lukket til, udsender enheden en akustisk alarm, og der tændes for den røde LED for filter.

6. Stop alarmen ved at holde tænd/sluk-knappen inde i mindst 3 sekunder, og slut slangen til sikkerhedshjelmen.
7. Sørg for, at sikkerhedshjelmen er fri for skader, tag den på, og spænd PAPR-enheden om hofterne.
8. Start blæseren, og sørg for, at luften i sikkerhedshjelmen cirkulerer normalt. Hvis der er skader, skal du udskifte defekte dele, før du bruger PAPR-enheden.

Brugsanvisning

Regulering af bæltestørrelsen: Tag bæltet på (fig. 6), og regulér størrelsen, så blæserenheden sidder behageligt på dine hofter.

Fjernelse af luftslangen: Skub slangenitilslutningen på begge sider, og fjern den fra den tilhørende del (fig. 7).

Montering af batteriet: Batteriet skal sættes ind i den tilhørende glideskinne i nederste højre side af e3000X. Lad batteriet glide ind, til der høres et klik (fig. 8). Udtagning og opladning af batteriet: Træk grebet til aftagning af kappen på batteriet tilbage, og træk det ud af glideskinnen, til det er helt ude af blæseren (fig. 9). Slut derefter batteriet til laderen (fig. 10). Den gule LED på laderen lyser og viser således, at opladningen er i gang. Når opladningen er færdig, bliver LED'en grøn, og vedligeholdelsesladning aktiveres. Kontrollér, at spændingen i stikkontakten passer til den specificerede spænding på opladeren.

ADVARSEL

- Optrel P / N 4553.020 Lithium-ionbatterier kan kun oplades med en Optrel-oplader (P / N 4551.070) ved hjælp af US-stikket. Brug af andre opladere kan forårsage eksplosioner, der medfører skade eller død.
- Optrel-opladere (P / N 4551.070) er kun til indendørs brug og må ikke udsættes for udendørs elementer. Lad ikke batteriet være under 32 ° F eller over 113 ° F (0 ° C - 45 ° C). Lad ikke batteriet opholde sig i nærheden af brændbare materialer, såsom kasser, papir og møbler.
- Batteriopladningen skal udføres på et sikkert, ikke-farligt sted. Oplad eller opbevar ikke batteriet i nærheden af svejsemaskinen.
- Udsæt ikke litiumioncellerne i vand eller lad dem blive våde. Tilstedeværende eksponering af batteripakken til vand er acceptabel, forudsat at litiumionceller forbliver tørre.
- Afmonter eller udskift batterierne ikke. Batterierne indeholder sikkerheds- og beskyttelsesanordninger, som, hvis de er beskadiget, kan få batterierne til at generere varme, ekspodere eller antændes.

ADVARSEL

- Placer ikke batteriet i direkte sollys eller brug eller opbevar batteriet nær en varmekilde eller elektrisk lysbue.
- Manglende overholdelse af disse advarsler kan medføre alvorlig personskade, alvorlig sygdom eller død.

ADVARSEL

- Optrel anbefaler, at batteriet oplades og opbevares ved temperaturer mellem 40 ° F og 80 ° F (4,5 ° C og 26,7 ° C). Opladning ved højere temperaturer medfører en reduktion af kapaciteten og reducerer batteriets levetid.
- Pas på at forhindre punktering eller brud på celler.
- Hvis lithiumbatteriet er beskadiget, ser det ud til at svulme, lækker elektrolyt eller bliver unormalt varmt under opladningen, skal du straks afbryde brugen og opbevare i en brandsikker beholder, indtil den kan genbruges.
- Forlad ikke batteriet til opladeren i mere end 70 timer.

Kontroller batteristatus: Tryk kort på tænd / sluk-knappen, og LED'en blinker. Kontrollér batteriladestatus på den nederste skala.

Flowregulering: Blæseren kan blæse luften i tre niveauer: 170/210/240 L/min. Gå gennem de forskellige niveauer for at ændre luftflowet ved at trykke på luftflowknappen, til du har fundet det ønskede niveau (fig. 11).

Udskiftning af hovedfilter og forfilter: Forfilteret skal udskiftes, når filteralarmen

udløses (fig. 12). Hold øje med intervallet mellem filteralarmer, da det forventes, at intervallet bliver kortere, for hver gang forfilteret udskiftes. Hvis du mener, at intervallerne bliver for korte, hvilket er op til brugeren, anbefales det, at du udskifter både hovedfilter og forfilter (fig. 13)

Alarmer

Tilstoppet filter: Hvis alarm for tilstoppet filter går i gang, lyser LED'en rød. Uden handling ændres strømningsniveauerne III og II til en lavere. Når forfilter og hovedfilter udskiftes, skal der først slukkes for e3000X ved at holde tænd/slukknappen nede i 2 sekunder. Filterne kan nu udskiftes. Hvis du ikke slukker for e3000X, når alarmen er gået i gang, fortsætter den med at køre i 15 minutter mere, før den automatisk slukker.

Batteri: Hvis alarm for batteriet går i gang, lyser LED'en rød. Den akustiske alarm lyder én gang i sekundet, og enheden kan stadig køre i ca. 30 minutter. Herefter slukkes der for e3000X.

Opbevaring

e3000X-systemet og dets tilbehør skal opbevares tørt. Beskyt det fra sollys, høje temperaturer samt kulbrinter og dampe fra opløsningsmidler.

Vedligeholdelse

Kontroller jævnligt hjelmene i henhold til betjeningsvejledningen. Kontroller ansigtstætningen og luftdyserne for huller, revner eller andre skader, og kontroller, at de er korrekt placeret på hjelmen (se betjeningsvejledningen). Brug ikke systemet, for alle slidte eller beskadigede dele er udskiftet.

Vedligeholdelse	
Aktivitet	Systemet i brug
Rengøring, desinficering	Hver gang efter brug
Visuel kontrol	Hver gang før og efter brug
Opladning af batteriet	Hver gang efter brug
Udskift pakningen mellem hovedfiltret og blæserenheden	Udskiftes kun, hvis pakningen er slidt eller beskadiget, men mindst en gang om året.

Opret anbefaler, at enheden serviceres mindst en gang om året af en Opret-kvalificeret virksomhed.

Når enheden opbevares, skal batteriet oplades hver 4. måned.

Rengøring og desinfektion

Brug en ren klud fugtet med sæbevand, og rengør blæseren, luftslangen og sikkerhedshjelmen. Lad enheden tørre ved stuetemperatur. Brug ikke stærke rensmidler, opløsningsmidler, alkohol eller rengøringsmidler, der indeholder silbermidler. Ansigtstætningen kan vaskes (vaskes i hånden, må ikke centrifugeres).

Tekniske specifikationer

(Vi forbeholder os ret til tekniske ændringer)

Nominal beskyttelsesfaktor	Europa: TH3P-klassificering (TH2 hard hat) Australien: P3-klassificering
Blæserenhed	Flowhastigheder: Niveau 1: min. 170 L/min * Niveau 2: min. 210 L/min * Niveau 3: min. 240 L/min *
Materiale	PC+ABS
Blæser	Børsteløs motor af høj kvalitet med kuglelejer og lang levetid
Sikring	Elektronisk sikring
Batteri	Type: Genopladeligt Li-Ion Spænding / kapacitet: 14,8 V / 3,25 Ah Ladecykler: > 500 Driftstid niveau 1* 18 timer Driftstid niveau 2* 16 timer Driftstid niveau 3* 13 timer Ladetid: Ca. 5 timer Vægt: 420 g / 14,815 oz Farve: sort *min. driftstid er med nyt filter ved stuetemperatur
Støjniveau	Maks. 70 dB(A)
Advarselssignaler	visuel og akustisk alarm for lavt strømiveau, tilstoppet filter, intet filter og lavt flow

Filter	1 x type TH3P R SL til TH3P-system (Europa) / TH3P-system (Australien)
Luftslange	Længde: 1160 mm (elastisk op til 1300 mm med beskyttelsesmanchet) Diameter: 31 mm (indvendig) Vægt: 185 g / 6,526 oz (uden beskyttelsesmanchet) Farve: sort
Vægt	1195 g / 42,152 oz (med filter og bælte, ekskl. batteri)
Mål	LxBxH: 222 x 213 x 92,6 mm
Standarder	EN 12941:1998/A2:2008, EAC TP TC 019/2011, AS/NZS 1716
Bemyndiget organ	CE 1024

Fejlfinding

Blæseren starter ikke

→ Sørg for, at batteriet er sat rigtigt i.

→ Sørg for, at batteriet er ladet helt op.

Filteralarmer er tændt, selvom hovedfiltret og forfilteret er udskiftet og sat rigtigt i

→ Intern fejl på e3000X

→ Returner e3000X til nærmeste forhandler

Batteriets funktionsperiode bliver meget kort

→ Defekt batteri - udskift det brugte batteri, og bortskaft det i henhold til lokale regler vedrørende særligt affald.

→ Defekt lader - udskift

Reserve dele (se omslag I, II, III, IV, V)

1 e3000X PAPR

2 Hovedfilter TH3P R SL-filter til TH3P-system (Europa) / TH3P-system (Australien)

3 Forfilter

4 Gnistbeskyttelse

5 Filterkappe

6 Standard batteri (Li-ion 48 Wh)

7 Hjelm, der kan bruges til PAPR-enhed

9 Slange

10 Beskyttelsesmanchet til luftslange (Tilbehør, medfølger ikke)

Andet tilbehør kan findes i vores hovedkatalog eller på vores websted.

Tegnforklaring (se omslag)

A Læs betjeningsvejledningen før brug

B Brug ikke skarpe genstande til at åbne

C Skrøbeligt indhold

D Denne side op

E Beskyt mod fugt

F Bemyndiget organs mærke (åndedrætsværn)

G Mark EAC (Rusland)

H Bemyndiget organs mærke (øjenbeskyttelse)

I Indeholder lithium-ioner

J Plastik, genanvendeligt

K Anbefalet opbevaringstemperatur: +5°C til +25°C

L Må ikke bortskaftes sammen med almindeligt husholdningsaffald. Skal bortskaftes i overensstemmelse med reglerne for specialaffald.

Konformitetserklæring

Se internetadresse på sidste side.

Retslige informationer

Dette dokument opfylder kravene i EU-forordning 2016/425 punkt 1.4 i bilag II.

Bemyndiget organ

Detaljerede informationen, se sidste side.

Norsk

Inledning

Etfriskluftsystem er en enhet som brukes til å forsyne en sveise- eller slipehjel (beskyttelseshjelm) med filtrert frisk luft. Ved å følge denne bruksanvisningen samt bruksanvisningene for beskyttelseshjelmen som brukes, beskyttes brukeren mot støv og partikler i luften.

Sikkerhetsinstruksjoner

Les denne bruksanvisningen nøye før du tar utstyret i bruk. Feil bruk kan utsette deg for livsfare og skade, og kan gjøre garantikrav mot Optrel ugyldige. Advarsler og sikkerhetsbegrensninger/risiko

Bruk bare vernehjelmen hvis den er koblet til viften og viften er i bruk. Viften kan bare brukes i sammenheng med pusteapparat som oppfyller kravene i europeiske og australske standarder. Denne PAPR gir ikke beskyttelse mot gasser/stoffer. Slå på enheten før arbeid startes. Først da er det trygt å gå inn i faresonen. Forlag farenes umiddelbart hvis viften ikke virker. Straks batterilampen utløses (rød LED lyser og lysignal høres), må du straks forlate farenes. Lad opp batteriet eller skift det. Når luftstrømningsadvarselen utløses (rød LED lyser og lysignal høres), må du straks forlate farenes. En sterk vind fra siden eller bakfra kan påvirke beskyttelsen hjelmen gir. Når det gjelder ekstremt høy miljøpartikkelforurensning, kan svært lavt trykk oppstå i hjelmen ved å puste inn. Dette kan redusere beskyttelsen. I så fall skal du ikke ta av hjelmen eller slå av viften før du har forlatt farenes. Vær svært forsiktig når du fjerner hjelmen for å unngå at du puster inn støv eller forurenset materiale som kan ha samlet seg utenpå hjelmen. Aldri legg viften eller batteriet i vann, da det kan skade enheten. Pass på at det ikke kommer vann inn i enheten ved rengjøring. Brukte filtre kan ikke rengjøres eller resirkuleres. Filteret skades hvis det gjøres forsøk på å rense det ved hjelp av trykkluft eller vann. Batteriet må aldri kortsluttes. Det kan forårsake fatal skade.

PAPR kan ikke brukes,

- i et brannfarlig eller eksplosivt miljø,
- hvis den inhalerte luften inneholder lite oksygen (Europa: <17%, Australia: <19%) eller konsentrasjonen av toksiner er så høy at en beskyttelsesklasse i overkant av TH3P (Europa og Australia),
- i temperaturer under -5°C eller over +55°C,
- i omgivelser der det er umiddelbar fare for livet.

ADVARSEL

- Din arbeidsgiver (eller hvis du ikke har en arbeidsgiver) er ansvarlig for å fastslå at denne åndedrettsvernet passer for brukerens søknad.
- Optrel kan ikke forutsi hva som vil skje med denne respiratoren i alle mulige miljøer. Materialer kan bli kjemisk angrepet hvis de er utsatt for feil miljø og kan utvise overdreven korrosjon eller andre former for skade. Permeasjon eller penetrasjon av gasser, væsker eller partikler gjennom materialene kan være overdreven. Ekstreme temperaturer kan forårsake termisk nedbrytning. Hvis av disse tingene, eller en kombinasjon av dem, kan skape forhold der denne opptrømlmasken vil være farlig å bruke.
- For du går inn i et farlig miljø mens du bruker dette åndedrettsvernet, må du utføre sikre, vitenskapelige tester for å avgjøre om miljøet kan gjøre utstyret usikkert. Resultatene av denne testingen skal være godt dokumentert. Søk hjelp av en sertifisert sikkerhetsspesialist eller industriell hygienist. IKKE BRUK dette utstyret hvis brukeren vil bli truet på noen måte gjennom miljøfremkalt nedbrytning av materialene i apparatet.
- Alle personer som bruker dette optrel-pusteapparatet må gjøres oppmerksom på begrensningene. Vi kan ikke være ansvarlig for skade på eiendom, personskade eller død der miljøeksponering er en medvirkende faktor.
- Ikke bruk denne åndedrettsvernet hvis noe kommer mellom ansiktet til ansiktet og ansiktet ditt (for eksempel hår, bandana, hodeplagg, etc.). Denne tilstanden vil forhindre en god hjelmteining og kan tillate lekkasje av forurensninger inn i hjelmen.
- Ikke bruk dette åndedrettsvernet i miljøer der konsentrasjonene av forurensninger er ukjent eller umiddelbart farlig for liv eller helse (IDLH). IDLH atmosfærer er definert som:
 - a. De som brukeren ikke kunne puste i korte perioder.
 - b. De som brukeren ikke kunne unnsilppe uten hjelp av en åndedrettsvern.
 - c. De som har umiddelbar eller forsinket bivirkning på helse.
- Bruk ALDRI denne åndedrettsvern uten optrel HE filter, P/N 4088.100.

- Ikke bruk denne åndedrettsvernet der miljøforholdene kan føre til at respiratorhjelmen løses eller slipper.
- Dette åndedrettsvernet beskytter ikke mot gasser eller damper. Det er kun for beskyttelse mot partikulære forurensninger.
- Gå straks tilbake til et ikke-forurenset område hvis:
 - a. Du smaker eller lukter forurensninger, eller hvis øynene, nesen eller halsen blir irriteret.
 - b. Åndedrett blir vanskelig.
 - c. Luften du puster blir ubehagelig varm.
 - d. Du føler deg kvalm eller svimmel.
 - e. Du ser et tap eller en reduksjon i luftstrømmen.
 - f. Hjelmen beveger seg, slipper eller lekker.
 - g. Du føler deg sliten.
- Dette åndedrettsvernet beskytter ikke eksponerte områder av kroppen. Noen forurensninger kan absorberes direkte gjennom huden, mens andre kan irritere eksponerte områder.
- Denne åndedrettsvern gir ikke beskyttelse mot skadelig støy. Bruk alltid riktig ørebeskyttelse.
- Denne åndedrettsvern gir ikke oksygen. Ikke bruk åndedrettsvernet i atmosfærer inneholdende mindre enn 19% oksygen i volum.
- Dette åndedrettsvernet må ikke brukes under vann, for berøring, innvendig brannslukning, silasjeeperasjoner eller i områder hvor langvarig varighet av høy varme eller flammer kan kontakte respiratoren.
- Åndedrettsvern, tilbehør og tilhørende utstyr skal ikke brukes i atmosfærer som kan inneholde forurensningskonsentrasjoner over det nedre eksplosive nivået (LEL).
- Dette åndedrettsvernet vil redusere, men vil ikke eliminere innånding av forurensninger. Noen følsomme personer kan oppleve helseproblemer når de blir utsatt for selv små mengder forurensninger. Dette åndedrettsvernet vil ikke forhindre helseproblemer for de individer.
- Sensibiliserende personer kan ha en alvorlig reaksjon på kjemikalier ved nivåer som ligger langt under godkjente helseproblemer, for eksempel OSHA Permissible Exposure Limit (REL), ACGIH Grenseverdier (TLV) eller NIOSH Anbefalte Grenseverdier (REL). Bruk IKKE denne åndedrettsvernet hvis du har blitt sensibilisert fra tidligere eksponering eller tro at du kan være følsom eller allergisk mot noen kjemikalier (for eksempel isocyanater, latex, etc.) til du får oppklaringen fra en lege.
- Les alltid og følg instruksjonene som er oppført i Sikkerhetsdatabladet for kjemikalier som finnes i arbeidsområdet.
- Ikke bruk hvis du har en eksisterende hudtilstand (for eksempel folliculitis eller vittiligo) til du får oppklaringen fra en lege.
- Dette åndedrettsvernet må ikke brukes og brukes som angitt i Optrels instruksjoner. Ikke la noen del av åndedrettsvernet være borte eller utelat et obligatorisk trinn i instruksjonene.
- Ingen åndedrettsvern kan gi fullstendig beskyttelse fra alle forhold. Bruk ekstrem forsiktighet for nødforhold.
- Brukere må bare rengjøre og vedlikeholde denne åndedrettsvern i samsvar med Optrels instruksjoner. Tilbehør som ikke tilbys av Optrel, kan forringe ytelsen, og vil ugyldiggjøre sertifisering.
- Avbryt bruk hvis du opplever hudirritasjon eller misfarging.
- Dette produktet kan gi mindre enn tilstrekkelig beskyttelse dersom den blir brukt, noe som kan føre til alvorlig personskade, alvorlig sykdom eller død.
- Brukes kun av utdannet kvalifisert personale.
- Ikke bruk dette åndedrettsvernet hvis det har blitt utsatt i et forurenset miljø som forurensninger kan samle på innsiden av hjelmen og innåndes når gassmasken er donned.
- Rutinemessig åndedrettsvern må inspiseres før og etter hver bruk.
- FARE FOR Å OBSERVERE ALLE ADVARSLER KAN FØRØREES I ALVORLIG PERSONLIG SKADE, ALMINDELIG ULIGHET ELLER DØD. Hvis du har spørsmål om den spesifikke anvendelsen, bruken eller egnetheten av e3000X-systemet, vennligst ta kontakt med salgsavdelingen i Optrel.

Garanti og ansvar

Optrel vil reparere produktet eller erstatte det når nødvendig hvis det oppstår materiale- eller utførelsesdefekter innen 24 måneder fra kjøpsdato, forutsatt at produktet har vært brukt i samsvar med den autoriserte bruken som fremgår av bruksanvisningen.

Garantien vil være ugyldig hvis serienummeret er endret, fjernet eller gjort uleselig, eller produktet med forsett er skadet, brukt feil, åpnet eller endret. Garantien vil også gjøres ugyldig hvis produktet brukes feil, ikke-originale reservedeler brukes eller hvis ikke riktig service er utført. Garantien omfatter bare reparasjoner eller utskifting av defekte deler. Under ingen omstendigheter påtar Optrel seg å gi noen garanti for generell driftsstans eller følgeskade.

Forventet levetid

Sveisehjelmten har ingen utløpsdato. Produktet kan brukes så lenge det ikke oppstår noen synlige eller usynlige skader eller funksjonsfeil.

Bruksområde

e3000X drives av en luftfresende respirator (PAPR) for å beskytte mot støv og partikler. Dette systemet er TH3P-sertifisert i samsvar med europeisk standard EN 12941: 1998 og TH3P-sertifisert i samsvar med australsk standard AS/NZS 1716:2012.

e3000X brukes til å støtte ventilasjonsprosessen, og reduserer innsatsen som kreves for å puste og dermed redusere tretthet. Det elektroniske systemet for å regulere luftgjennomstrømmingen overvåker viften for å sikre at det er konstant gjennomstrømning på minst 170 L/min.

Den effektive driftstiden til e3000X med fulladdet batteri beror på type batteri og filterets tilstand (se tabellen med tekniske spesifikasjoner).

Inspeksjon og testing før gjenbruk

• Fjern forsiktig emballasjen til de ulike delene.

• Lad opp batteriet helt før første bruk

Inspeksjonstabell:

Kontroller om enheten er fullført i henhold til leveringsomfanget, og ingenting

har blitt skadet. Hvis det oppdages skade eller mangler en del, ta kontakt med

salgsvadlingen umiddelbart. Bruk aldri en skadet eller ufullstendig enhet.

Ta

en titt på følgende komponenter:

KOMPONENT	SE ETTER
Batteri	1. Koblet knekket eller ødelagt. 2. Løst batteriokklokk eller skadet kontakt.
Slange	1. Hull, kutt eller slitasje. 2. Skadede spiraler.
Belt / Shoulder Harness	1. Kutt, nicks, tårer eller ødelagte sømmer. 2. Skadet spenne. 3. Løs maskinvare.

For all informasjon om e600 faceaseal, vennligst bruk manuell for forseiling.

Inspeksjon og testing før bruk

Sjekk hver gang før bruk at e3000X er fri for defekter og forsett som følger:

1. Sjekk om gnistfangeren, hovedfilteret og forfilteret er riktig installert og om huslåsen er ordentlig festet (husdekslet må lukkes med et klikk) (Fig. 1). Merk: Når det brukes i det medisinske feltet, kan gnistbeskyttelse og forfilter utelates av hygieniske årsaker.
2. Sjekk luftslangen og luftkoblingen for skade (hull, rift, kutt). Koble luftslangen til hjelmen og viften ved å trykke slangen på tilsvarende del på enheten til du hører en klikkelyd. Sjekk at den ikke kan løse ved å trekke lett i den. (Fig. 2).
3. Slå på e3000X ved å trykke på av/på-knappen i ca. 0,5 sekund. (Fig. 3). Ved oppstart på ca. 3 sekunder slås alle 5 LED på (3 LED lyser grønt for valg av gjennomstrømningsnivå og 2 LED lyser rødt, der det ene viser batteristatus og det andre filterstatus - Fig. 4) og en lydalarm (3 pipelyder) avgis. Da er e3000X klar til bruk.
4. Under denne oppstarttiden utfører også e3000X en første selvsjekk for å sikre at enheten leverer riktig gjennomstrømning på mer enn 170 L/min. Hvis det røde filter-LED slås av etter de nevnte 3 sekundene, opprettholdes en gjennomstrømning på minst 170 L/min. På grunn av en innebyggt gjennomstrømningssensor, styrer e3000X og opprettholder kontinuerlig en riktig gjennomstrømning på mer enn 170 L/min under hele operasjonen.
5. Som nevnt har e3000X et lyd- og lysvarsel (Fig. 5) for lavt batteri og manglende filter eller tilstøpet eller feil monteret filter. Hvis en advarsel utløses, må farensonen straks forlates! Sjekk alarmen for lav luftgjennomstrømning/tilstopping av filteret ved å

simulere lav luftgjennomstrømning på følgende måte:

Med e3000X-enheten slått på, ta slangen ut av hjelmen og dekk godt til enden av slangen med ren håndflate. Da vil motoren automatisk gå fortere, og kompensere for den lave luftgjennomstrømningen. Fortsett å trykke håndflaten godt mot enden av slangen, slik at det blir tett. Når du har oppnådd god tetting, vil enheten avgje en lydalarm og det røde filter-LED slås på.

6. Trykk på av/på-knappen i ca. 3 sekunder for å slå av alarmen, og koble slangen til hjelmen.
7. Sjekk at vernehjelmen er uskadet, ta den på og fest PAPR til hoftene.
8. Start viften og pass på at luften i vernehjelmen sirkulerer normalt.

Hvis det er skade, må du bytte ut defekte deler før du bruker PAPR.

Driftsmodus

Justere beltestørrelsen: Ta på beltet (Fig. 6) og juster størrelsen slik at vifte-enhets sitter behagelig på hoftene dine.

Fjerne luftslangen: Trykk på begge sider av slangekoblingen og fjern den fra tilsvarende del (Fig. 7).

Monter batteriet: Batteriet må settes inn i den respektive glideskinnen nederst til høyre på e3000X. Skyv batteriet til du hører et klikk (Fig. 8).

Ta ut og lade batteriet: Trekk tilbake dekseljernespaken på batteriet og trek den ut fra glideskinnen til den er helt ute fra viften (Fig. 9). Koble den deretter til laderbatteriet (Fig. 10). Ladeprosessen signaliseres med den gule LED-lampen på laderen. Når ladingen er fullført, lyser LED grønt og drypplademodus aktiveres. Kontroller at spenningen i stikkkontakten stemmer overens med den angitte spenningen til laderen.

ADVARSEL

- Optrel P / N 4553.020 Litiumionbatterier kan kun lades opp med en optrel lader (P / N 4551.070) ved hjelp av US-pluggen. Bruk av andre ladere kan føre til eksplosjoner som medfører skade eller død.
- Optrel-ladere (P / N 4551.070) er kun til innendørs bruk og må ikke utsettes for utendørs elementer. Ikke lad opp batteriet under 32 ° F eller over 113 ° F (0 ° C - 45 ° C). Ikke lad batteriet i nærheten av brannfarlige materialer som bokser, papir og møbler.
- Batterilading må gjøres på et trygt, ufarlig sted. Ikke lad opp eller oppbevar batteriet i nærheten av sveiseapparatet.
- Ikke utsett litiumionceller til vann eller la dem bli våte. Tilstedeværende eksponering av batteripakken til vann er akseptabelt, forutsatt at litiumionceller forblir tørre.
- Ikke demonter eller modifier batteriene. Batteriene inneholder sikkerhets- og beskyttelsesanordninger som, hvis de er skadet, kan føre til at batteriene genererer varme, eksplodere eller antennes.

ADVARSEL

- Ikke plasser batteriet i direkte sollys eller bruk eller oppbevar batteriet nær en varmekilde eller elektrisk lysbue.
- Manglende overholdelse av disse advarslene kan føre til alvorlig personskade, alvorlig sykdom eller død.

FORSIKTIGHET

- Optrel anbefaler at batteriet blir ladet og lagret ved temperaturer mellom 40 ° F og 80 ° F (4,5 ° C og 26,7 ° C). Lading ved høyere temperaturer medfører redusert kapasitet og reduserer batterilevetiden.
- Vær forsiktig for å forhindre punktering eller brudd på celler.
- Hvis litiumbatteriet er skadet, ser ut til å svulme, lekker elektrolyser eller blir unormalt varmt under lading, stopp bruken umiddelbart og oppbevar den i en brannfast beholder til den kan resirkuleres.
- Ikke la batteriet være festet til laderen i mer enn 70 timer.

Kontroller batteristatus: Trykk på På / Av-knappen kort og LED-lampen blinker. Kontroller batteriladestatusen på nedre skala.

Regulering av gjennomstrømning: Viften har tre nivåer for luftgjennomstrømning: 170/210/240 L/min. For å endre nivået av luftgjennomstrømning, veksle mellom de forskjellige nivåene av luftgjennomstrømning ved å trykke på luftgjennomstrømningsknappen til ønsket gjennomstrømningsnivå er nådd. (Fig. 11)

Skifte hovedfilter og forfilter: Ved filteralarmindikasjon, vennligst bytt ut forfilteret (Fig. 12). Vennligst overvåk tiden mellom filteralarmer. I likhet med hver utskifting av forfilter, forventes at denne tidsperioden blir kortere. Hvis du

synes utskiftingsintervallet blir for kort (etter brukerens skjønn), anbefales å bytte ut hovedfilteret og forfilteret. (Fig. 13)

Alarmfunksjon

Alarm for tilstoppet filter: LED lyser rødt hvis alarmeren for tilstoppet filter slås på. Uten tiltak endres strømningsnivåene III og II til en lavere. For å bytte ut forfilteret og hovedfilteret, trykk på av/på-knappen i 2 sekunder for å slå av e3000X. Nå kan du skifte filterene. Hvis ikke du slår av e3000X under en alarm, vil den kjøres i ytterligere 15 minutter før den slås av automatisk.

Batterialarm: LED lyser rødt hvis batterialarmen slås på. Lydvarselet piper i ett sekund, og enheten vil fortsatt jobbe i ca. 30 minutter. Deretter slås av e3000X.

Oppbevaring

e3000X-systemet og tilbehøret må oppbevares tørt. Beskytt mot sollys, høye temperaturer og mot hydrokarboner og løsningsmiddeldamp.

Vedlikehold

Sjekk vernehjelmen regelmessig i samsvar med bruksanvisningen. Sjekk masketettingen og luftdysen for hull, sprekker eller annen skade og sjekk at de sitter riktig på hjelmen (se bruksanvisningen). Ikke bruk systeme før alle slitte eller skadede deler er byttet ut.

Vedlikeholdsplan	
Aktivitet	System i bruk
Rengjøring, desinfeksjon	Etter bruk
Visuell inspeksjon	Før og etter bruk
Lade batteriet	Etter bruk
Bytt forseglingen mellom hovedfilteret og viften.	Byttes ut bare hvis pakningen er slitt eller skadet, men minst en gang i året.

Optrel anbefaler at enheten betjenes minst en gang i året av et Optrel-kvalifisert selskap.

Hvis enheten ligger på oppbevaring, må batteriet lades på nytt hver 4. måned.

Rengjøring og desinfeksjon

Bruk en ren klut fuktet med såpevann til å rense viften, luftslangen og vernehjelmen. La enheten tørke ved romtemperatur. Ikke bruk sterke rengjøringsmidler, løsemidler, alkohol eller rengjøringsmidler som inneholder slipemidler. Masketettingen kan vaskes (vaskes for hånd, må ikke sentrifugeres).

Tekniske spesifikasjoner

(Vi forbeholder oss retten til å foreta tekniske endringer)

Nominell beskyttelsesfaktor	Europa: TH3P-klassifisering (TH2 hard hat) Australia: P3-klassifisering
Vifteenheter	Gjennomstrømningshastigheter: Nivå 1: min. 170 L/min* Nivå 2: min. 210 L/min* Nivå 3: min. 240 L/min*
Materiale	PC+ABS
Vifte	Kulemontert viftemotor av høy kvalitet
Sikring	Elektronisk sikring
Batteri	Type: Li-Ion-oppladbar Spenning / kapasitet: 14,8V / 3,25Ah Ladesykluser: > 500 Driftstidnivå 1* 18 t Driftstidnivå 2* 16 t Driftstidnivå 3* 13 t Ladetid: ca. 5 t Vekt: 420 g / 14,815 oz Farge: svart *min. driftstid gjelder nytt filter ved romtemperatur
Støynivå	Maks. 70 dB(A)
Varselsignaler	optisk og lydalarm for lav effekt, tilstoppet filter, manglende filter og lav luftgjennomstrømning
Filter	1 x type TH3P R SL for TH3P-system (Europa) / TH3P-system (Australia)

Luftslange	Lengde: 1160 mm (elastisk opptil 1300 mm med beskyttende hylse) Diameter: 31 mm (innvendig) Vekt: 185 g / 6,526 oz (uten beskyttende hylse) Farge: svart
Vekt	1195 g / 42,152 oz (inkl. filter og belte, eks. batteri)
Dimensjoner	LxBxH: 222 x 213 x 92,6 mm
Standarder	EN 12941:1998 /A2:2008, EAC TP TC 019/2011, AS/NZS 1716
Gjeldende myndighet	CE 1024

Feilsøking

Viften starter ikke

→ Pass på at batteriet er riktig montert.

→ Pass på at batteriet er fulladet.

Filtervarsel er på selv når hovedfilteret og forfilteret er byttet og riktig installert.

→ Innvendig e3000X-feil

→ Send 3000 tilbake til din nærmeste forhandler

Batteritiden blir svært kort

→ Defekt batteri - bytt ut og kast det brukte batteriet i henhold til nasjonale forskrifter for spesialavfall.

→ Defekt ladeenhet - bytt ut

Reservvedeler (se omslag I, II, III, IV, V)

1 e3000X PAPP

2 Hovedfilter TH3P R SL-filter for TH3P-system (Europa) / TH3P-system (Australia)

3 Forfilter

4 Gnistbeskytter

5 Filterdeksel

6 Standardbatteri (Li-Ion 48 Wh)

7 PAPP-kompatibel hjelmen

9 Slange

10 Beskyttende hylse for luftslange (Tilbehør, ikke inkludert)

Du kan få ytterligere tilbehør fra hovedkatalogen eller vår nettside.

Forklaring (se omslag)

A Les bruksanvisningen før bruk

B Ikke bruk skarpe gjenstander for å åpne

C Skjørt innhold

D Oppbevares med denne siden opp

E Beskytt mot fuktighet

F Gjeldende myndighets merke (ånedrettsvern)

G Mark EAC (Russland)

H Gjeldende myndighets merke (øyevern)

I Inneholder litium-ioner

J Plast, resirkulerbar

K Anbefalt oppbevaringstemperatur: +5 °C til +25 °C

L Må ikke avhendes sammen med normalt husholdningsavfall. Vennligst kast i henhold til nasjonale forskrifter for spesialavfall.

Konformitetserklæring

Se internettside på siste side.

Juridisk informasjon

Dette dokumentet oppfyller kravene i EU-forordning 2016/425 punkt 1.4 i vedlegg II.

Bemyndiget organ

For detaljerte opplysninger, se siste side.

Wstęp

Urządzenie wentylacyjno-filtrujące służy do dostarczania świeżego powietrza w połączeniu z dopuszczoną do użytku z nim przybliżą spawalniczą lub szlifierską (kaskiem ochronnym). Stosując się do niniejszej instrukcji oraz instrukcji kasku ochronnego wykorzystywanego z urządzeniem, użytkownik będzie chroniony przed pyłem i cząsteczkami we wdychanym powietrzu. Instrukcje dotyczące bezpieczeństwa

Przed użyciem urządzenia należy dokładnie przeczytać niniejszą instrukcję obsługi. Nieprawidłowy sposób używania może grozić utratą życia lub obrażeniami oraz wykluczyć wszelkie roszczenia gwarancyjne wobec firmy Optrel.

Ostrzeżenia i ograniczenia związane z bezpieczeństwem / Ryzyka

Hełm ochronny należy nosić wyłącznie, jeśli jest połączony z dmuchawą, a dmuchawa jest włączona. Dmuchawę należy używać wyłącznie z aparatem oddechowym, który spełnia wymagania norm europejskich i australijskich. Opisywany system z wymuszonym obiegiem powietrza nie chroni przed substancjami gazowymi. Sprzęt należy włączyć i włączyć przed rozpoczęciem pracy, tylko wtedy można bezpiecznie wejść do strefy zagrożenia. Jeśli dmuchawa działa nieprawidłowo, należy natychmiast opuścić strefę zagrożenia. Jeśli włączy się sygnał ostrzegawczy baterii (świeci się czerwona dioda LED i rozlega się sygnał dźwiękowy), należy niezwłocznie opuścić strefę zagrożenia. Albo naładować baterię, albo ją wymienić. Jeśli włączy się sygnał ostrzegawczy filtru (świeci się czerwona dioda LED i rozlega się sygnał dźwiękowy), należy niezwłocznie opuścić strefę zagrożenia i wymienić filtr.

Silny boczny lub czołowy wiatr mogą mieć wpływ na skuteczność ochrony zapewnianej przez hełm. W przypadku bardzo wysokiego poziomu zanieczyszczenia środowiska cząstkami stałymi, oddychanie może powodować bardzo niskie ciśnienie wewnątrz hełmu. Zmniejsza to skuteczność ochrony. W takim przypadku przed opuszczeniem strefy zagrożenia nie należy zdejmować hełmu ani wyłączać dmuchawy. Zdejmując hełm należy podjąć konieczne środki ostrożności, aby nie dopuścić do wdychania pyłu ani zanieczyszczonego materiału, który mógł się zebrać na zewnętrznej powierzchni hełmu. Nigdy nie należy zanurzać dmuchawy ani baterii w wodzie, mogłoby to spowodować uszkodzenie urządzenia. W czasie czyszczenia elementów systemu należy uważać, aby do wnętrza nie dostała się woda. Zużytych filtrów nie można czyszczyć ani używać ponownie. Próby oczyszczenia filtru przy użyciu sprężonego powietrza lub powody powodują uszkodzenie filtru. Nigdy nie należy zwierać baterii. Mogłoby to być przyczyną śmiertelnego wypadku.

Opisywany system z wymuszonym obiegiem powietrza nie można używać:

- w atmosferze palnej lub wybuchowej,
- jeśli wdychane powietrze zawiera niedostateczną ilość tlenu (Europa: <17 %, Australia: <19%) lub stężenie substancji toksycznych jest tak wysokie, że konieczna klasa ochrony jest wyższa niż TH3P (Europa i Australia),
- przy temperaturze poniżej -5 °C lub powyżej +55 °C
- w otoczeniu, w którym panują warunki grożące utratą życia lub obrażeniami,

OSTRZEŻENIE

- Twój pracodawca (lub ty, jeśli nie masz pracodawcy) jest / jest odpowiedzialny za ustalenie, że ten respirator jest odpowiedni dla aplikacji użytkownika.
- Optrel nie może przewidzieć, co stanie się z tym respiratorem w każdym potencjalnym środowisku. Materiały mogą zostać zaatakowane chemicznie, jeśli zostaną wystawione na niewłaściwe środowisko i mogą wykazywać nadmierną korozję lub inne formy uszkodzeń. Przenikanie lub przenikanie gazów, cieczy lub cząstek przez materiały może być nadmierne. Ekstremalne temperatury mogą powodować degradację termiczną. Każda z tych rzeczy lub ich kombinacja mogłaby stworzyć warunki, w których ten respirator Optrel byłby niebezpieczny w użyciu.
- Przed wejściem do niebezpiecznego środowiska podczas noszenia tego respiratora, należy przeprowadzić bezpieczne, naukowe testy w celu ustalenia, czy środowisko może uczynić sprzęt niebezpiecznym. Wyniki tego badania powinny być dobrze udokumentowane. Skorzystaj z pomocy certyfikowanego specjalisty ds. Bezpieczeństwa lub higienisty przemysłowej. NIE UŻYWAJ tego urządzenia, jeśli użytkownik byłby zagrożony w jakikolwiek sposób przez degradację materiałów w urządzeniu spowodowaną przez środowisko.
- Wszystkie osoby korzystające z tego aparatu oddechowego muszą być świadome jego ograniczeń. Nie możemy ponosić odpowiedzialności za jakiegokolwiek szkody majątkowe, obrażenia ciała lub śmierć, w przypadku których narażenie środowiska jest czynnikiem.
- Nie używaj respiratora, jeśli coś znajdzie się między uszkałką kasku a twarzą (np. Włosy, chustka, nakrycie głowy itp.). Ten stan uniemożliwi dobre uszczelnienie kasku i może pozwolić na wyciek zanieczyszczeń do kasku.
- Nie używaj respiratora w środowiskach, w których stężenia zanieczyszczeń są nieznane lub są natychmiast niebezpieczne dla życia lub zdrowia (IDLH). Atmosfery

IDLH definiuje się jako:

- a. Te, których użytkownik nie mógł oddychać przez krótki czas.
 - b. Te, z których użytkownik nie mógł uciec bez pomocy respiratora.
 - do. Te, które mają natychmiastowy lub opóźniony negatywny wpływ na zdrowie.
- NIGDY nie używaj respiratora bez filtra Optrel HE, P / N 4088.100.
 - Nie używaj respiratora, gdy warunki środowiskowe mogą spowodować zsuniecie lub zesztywnienie się maski.
 - Ten respirator nie chroni przed gazami lub oparami. Służy tylko do ochrony przed zanieczyszczeniami cząsteczkowymi.
 - Natychmiast powróć na obszar niezanieczyszczony, jeśli:
 - a. Smakujecie lub czujecie zanieczyszczenia, czy też podrażnienie oczu, nosa lub gardła.
 - b. Oddychanie staje się trudne.
 - c. Powietrze, którym oddychasz, staje się nieprzyjemnie ciepłe.
 - d. Czujesz mdołość lub zawroty głowy.
 - e. Zauważasz utratę lub spadek przepływu powietrza.
 - f. Kask porusza się, ślizga lub przecieka.
 - g. Czujesz się zmęczony.
 - Ta maska oddechowa nie chroni odsłoniętych obszarów ciała. Niektóre zanieczyszczenia mogą być wchłaniane bezpośrednio przez skórę, podczas gdy inne mogą podrażniać narażone obszary.
 - Ten respirator nie zapewnia ochrony przed szkodliwym hałasem. Zawsze nosć odpowiednią ochronę słuchu.
 - Ten respirator nie dostarcza tlenu. Nie używać respiratora atmosfery zawierającej mniej niż 19% objętościowego tlenu.
 - Nie wolno używać respiratora pod wodą, do fumigacji, wewnętrznych struktur przeciwpożarowych, obróbki strumieniowo-ściennej ani w miejscach, w których długotrwały kontakt z wysoką temperaturą lub płomieniami może zetknąć się z respiratorem.
 - Respiratorów, akcesoriów i towarzyszącego im sprzętu nie należy stosować w atmosferach, które mogą zawierać stężenia zanieczyszczeń powyżej dolnego poziomu wybuchowości (LEL).
 - Ten respirator zmniejszy siłę, ale nie wyeliminuje wdychania zanieczyszczeń. Niektóre wrażliwe osoby mogą doświadczać problemów zdrowotnych, gdy są narażone na nawet niewielkie ilości zanieczyszczeń. Ten respirator nie zapobiegne problemom zdrowotnym tych osób.
 - Osoby uczulone mogą mieć poważną reakcję na chemikalia na poziomach znacznie poniżej akceptowanych poziomów zdrowia, takich jak dopuszczalny limit narażenia OSHA (PEL), progowa wartość graniczna ACGIH (TLV) lub zalecane wartości ekspozycji NIOSH (REL). NIE używaj respiratora, jeśli zostałeś uczulony na skutek wcześniejszej ekspozycji lub uważasz, że możesz być wrażliwy lub uczulony na jakiegokolwiek substancje chemiczne (np. Izocyjaniany, lateksy itp.). Do czasu uzyskania zgody lekarza.
 - Zawsze czytaj i postępuj zgodnie z instrukcjami wymienionymi w Karcie Charakterystyki Substancji Niebezpiecznej dla substancji chemicznych obecnych w obszarze roboczym.
 - Nie używaj, jeśli masz wcześniej istniejący stan skóry (na przykład folliculitis lub bielactwo nabyte), dopóki nie uzyskasz zgody lekarza.
 - Ten respirator musi być noszony i używany zgodnie z instrukcjami Optrel. Nie pozostawiaj żadnej części respiratora ani nie opuszczaj obowiązkowego kroku instrukcji.
 - Brak respiratora zapewnia całkowitą ochronę przed wszystkimi warunkami. Zachowaj szczególną ostrożność w sytuacjach awaryjnych.
 - Użytkownicy muszą czyścić i konserwować respirator tylko zgodnie z instrukcjami Optrel. Akcesoria nie oferowane przez Optrel mogą obniżyć wydajności i uniemożliwić certyfikację.
 - Przerwać stosowanie, jeśli wystąpi podrażnienie lub odbarwienie skóry.
 - Ten produkt może zapewniać mniej niż wystarczającą ochronę, jeśli zostanie nieprawidłowo użyty, co może spowodować poważne obrażenia ciała, poważną chorobę lub śmierć.
 - Do użytku tylko przez przeszkolony wykwalifikowany personel.
 - Nie używaj respiratora, jeśli został wystawiony na działanie skażonego środowiska, ponieważ zanieczyszczenia mogą gromadzić się wewnątrz hełmu i być wdychane podczas zakładania maski gazowej.
 - Rutynowo używane maski oddechowe muszą być sprawdzane przed i po każdym użyciu.
 - NIE PRZESTRZEGAĆ WSZYSTKICH OSTRZEŻEŃ MOŻE SPOWODOWAĆ POWAŻNE OBRĄŻENIA OSOBISTE, POWAŻNA CHOROBA LUB ŚMIERĆ
- W razie jakiegokolwiek pytań na temat określonego zastosowania, sposobu użycia

lub przydatności systemu e3000X prosimy o kontakt z działem sprzedaży Optrel.

Gwarancja i odpowiedzialność prawna

W razie stwierdzenia wad materiałowych lub wad wykonania firma w ciągu 24 miesięcy od daty produkcji, firma Optrel dokona naprawy produktu lub wymieni go, jeżeli to będzie konieczne, pod warunkiem, że produkt był używany zgodnie z zatwierdzonym sposobem użytkowania, opisanym w instrukcji obsługi.

Gwarancja traci ważność w przypadku zmiany numeru seryjnego, usunięcia go lub spowodowania, że przestaje być czytelny lub gdy produkt zostanie celowo uszkodzony, otwarty lub zmodyfikowany albo będzie niewłaściwie użytkowany. Gwarancja traci ważność również, jeśli produkt jest używany nieprawidłowo, stosowane są nieoryginalne części zapasowe lub jest niewłaściwie prowadzony serwis. Gwarancja obejmuje jedynie naprawy lub wymianę wadliwych części. W żadnych okolicznościach firma Optrel nie udziela gwarancji w związku z ogólną awarią lub szkodami pośrednimi.

Oczekiwany okres trwałości

e3000X nie ma terminu przydatności do użycia. Produkt może być stosowany, dopóki nie pojawią się widoczne uszkodzenia lub wady.

Obszar zastosowania

System e3000X jest urządzeniem z wymuszonym obiegiem powietrza (PAPR), chroniącym przed pyłem i cząstkami stałymi. System ma certyfikat TH3P zgodny z normą europejską EN 12941: 1998 i certyfikat TH3P zgodny z normą australijską AS/NZS 1716: 2012.

System e3000X służy do wspomagania procesu wentylacji, ułatwia zatem oddychanie i zmniejsza zmęczenie. Elektroniczny układ sterowania przepływem powietrza monitoruje dmuchawy, aby zapewnić stały przepływ powietrza min. 170 L/min* Rzeczywisty czas pracy systemu e3000X z całkowicie naładowaną baterią zależy od jej typu i stanu filtra (zob. tabela ze specyfikacji technicznej).

Kontrola i testy przed użyciem

• Ostrożnie wyjmij opakowanie różnych części.

• Całkowicie naładuj akumulator przed pierwszym użyciem

Tabela inspekcji:

Sprawdź, czy urządzenie jest kompletne zgodnie z zakresem dostawy i nic nie zostało uszkodzone. W przypadku stwierdzenia uszkodzeń lub braku części należy natychmiast skontaktować się z działem sprzedaży. Nigdy nie używaj uszkodzonego lub niekompletnego urządzenia. Spójrz dokładnie na następujące elementy:

SKŁADNIK	SZUKAĆ
Bateria	1. Złącze pęknięte lub uszkodzone. 2. Luźna pokrywa komory baterii lub uszkodzone złącze.
Wąż gumowy	1. Otwory, nacięcia lub otarcia. 2. Uszkodzone spirale.
Szelki do pasa / barku	1. Cięcia, nacięcia, łyż lub złamane szwy. 2. Uszkodzona klamra. 3. Luźny sprzęt.

Aby uzyskać wszystkie informacje na temat uszczelnienia twarzy e600, skorzystaj z instrukcji obsługi uszczelnienia twarzy.

Kontrola i testy przed użyciem.

Przed każdym użyciem należy upewnić się, że system e3000X jest w nieganym stanie, a następnie postępować w następujący sposób:

1. Sprawdź, czy iskiernik, filtr główny i filtr wstępny są prawidłowo zainstalowane i czy blokada obudowy jest bezpiecznie zablokowana (pokrywa obudowy musi się zamknąć jednym kliknięciem) (ryc. 1). Uwaga: W zastosowaniach medycznych ochronę przed iskrami i filtry wstępne można pominąć ze względów higienicznych.
2. Sprawdź, czy przewód powietrza i złącze powietrzne nie są uszkodzone (dziury, przetarcia, przecięcia). Podłączyć przewód powietrza do helmu i dmuchawy, wskazując go na odpowiednią część systemu, dopóki nie rozlegnie się dźwięk kliknięcia; potwierdzający, że przewód nie zsunie się pod wpływem lekkiego pociągnięcia. (Rys 2).
3. Włączycy system e3000X naciskając wyłącznik przez około 0,5 sekundy. (Rys 3). W czasie rozruchu trwającego około 3 sekundy włącza się wszystkich 5 diod LED (3 zielone diody LED wyboru poziomu przepływu i dwie czerwone diody LED, z których jedna pokazuje stan baterii a druga filtra – Rys. 4) i rozlega się sygnał dźwiękowy (trykrotny). Po tym sygnale system e3000X jest gotowy do użycia.
4. Ponadto, w czasie rozruchu system e3000X przeprowadza wstępny autotest, sprawdzający, czy urządzenie wytwarza prawidłowy przepływ powyżej 170 L/min. Jeśli po wspomnianych 3 sekundach (lub wcześniej) czerwona dioda LED filtra przestanie się świecić, oznacza to, że przepływ co najmniej 170 L/min jest utrzymywany. Dzięki wbudowanemu czujnikowi przepływu system e3000X kontroluje i w czasie trwania operacji stale utrzymuje prawidłowy przepływ

powyżej 170 L/min.

5. Jak wspomniano, w systemie e3000X jest zainstalowany alarm optyczny i akustyczny (Rys. 5) sygnalizujący niski poziom naładowania baterii oraz brakujący, zatkany lub nieprawidłowo zamontowany filtr. W przypadku pojawienia się sygnału ostrzegawczego należy natychmiast opuścić przycisk zagrożenia! Sprawdź działanie alarmu niskiego przepływu powietrza/zatkania filtra, symulując sytuację niskiego przepływu powietrza w następujący sposób: Przy włączonym systemie e3000X odłączyc przewód od helmu i szczelnie przykryć wylot węża czystą dłonią, silnik zacznie wtedy przyspieszać, rekompensując w ten sposób niski przepływ powietrza. Nadal mocno przycisnąć dłoń do końcówki węża, aby była szczelnie zatkana. Gdy wąż zostanie szczelnie zatkany, system wyemituje sygnał dźwiękowy, włączy się także czerwona dioda LED filtra.
6. Aby przerwać alarm należy nacisnąć przycisk wyłącznika przez około 3 sekundy i podłączyć przewód do helmu.
7. Sprawdzić, czy helm nie jest uszkodzony, natolić go oraz przypiąć do bioder system z wymuszonym obiegiem.
8. Uruchomić dmuchawę i sprawdzić, czy obieg powietrza w helmie jest prawidłowy. Wrazie jakiegokolwiek uszkodzenia należy przed użyciem systemu z wymuszonym obiegiem powietrza wymienić niesprawne części.

Tryb pracy

Regulacja długości pasa: Nałóż pas (Rys. 6) i wregulowaj jego długość tak, aby zespół dmuchawy wygodnie spoczywał na biodrach.

Odłączenie przewodu powietrza: Nacisnąć z obu stron złącze przewodu i odłączyć go od odpowiedniej części (Rys. 7).

Wkładanie baterii: Baterię należy włożyć do odpowiedniej prowadnicy pod spodem systemu e3000X. Wsuwać baterię do chwili usłyszenia dźwięku kliknięcia (Rys. 8). Wyjmowanie i ładowania baterii: Pociągnąć uchwyty do wyjmowania pokrywy na baterii i wyciągnąć ją całkowicie z prowadnicy w zespole dmuchawy (Rys. 9). Podłączyc baterie do ładowarki (Rys. 10). Proces ładowania jest sygnalizowany świecąca się żółta dioda LED na ładowarce. Po zakończeniu ładowania dioda LED zaczyna świecić się na zielono i przejdzie w tryb podładowywania. Sprawdź, czy napięcie w gnieździe jest zgodne z określonym napięciem ładowarki.

OSTRZEŻENIE

- Optrel P / N 4553.020 Akumulatory litowo-jonowe można ładować wyłącznie za pomocą ładowarki Optrel (P / N 4551.070) za pomocą wtyczki amerykańskiej. Korzystanie z innych ładowarek może spowodować eksplozję, które mogą spowodować obrażenia lub śmierć.
- ładowarki Optrel (P / N 4551.070) są przeznaczone wyłącznie do użytku wewnętrznego i nie mogą być narażone na działanie elementów zewnętrznych. Nie ładuj akumulatora poniżej 32 ° F lub powyżej 113 ° F (0 ° C - 45 ° C). Nie ładuj akumulatora w pobliżu materiałów łatwopalnych, takich jak pudełka, papier i meble.
- Ładowanie akumulatora musi odbywać się w bezpiecznym, bezpiecznym miejscu. Nie ładuj ani nie przechowuj baterii w pobliżu urządzenia spawalniczego.
- Nie wystawiaj ogniw litowo-jonowych na działanie wody ani nie pozwól im zamoczyć się. Przypadkowe narażenie akumulatora na działanie wody jest dopuszczalne, pod warunkiem, że ogniwa litowo-jonowe pozostaną suche.
- Nie demontuj ani nie modyfikuj baterii. Baterie zawierają urządzenia zabezpieczające i ochronne, które, jeśli zostaną uszkodzone, mogą spowodować, że baterie wytworzą ciepło, wybuchają lub zapalają się.

OSTRZEŻENIE

- Nie umieszczaj baterii w bezpośrednim świetle słonecznym ani nie używaj ani nie przechowuj baterii w pobliżu źródła ciepła lub łuku elektrycznego.
- Nieprzeznaczanie tych ostrzeżeń może spowodować poważne obrażenia ciała, poważną chorobę lub śmierć.

UWAGA

- Optrel zaleca ładowanie akumulatora i przechowywanie go w temperaturze od 40 ° F do 80 ° F (4,5 ° C i 26,7 ° C). Ładowanie w wyższych temperaturach powoduje zmniejszenie pojemności i skracają żywotność baterii.
- Zachowaj ostrożność, aby zapobiec przebiegu lub pęknięciu komórek.
- Jeśli bateria litowa jest uszkodzona, wydaje się pęcznić, przeciekać elektrolity lub nadmiernie nagrzewa się podczas ładowania, należy natychmiast przerwać jej użytkowanie i przechowywać w ognioodpornym pojemniku, dopóki nie zostanie poddana recyklingowi.
- Nie pozostawiaj baterii podłączonej do ładowarki na dłużej niż 70 godzin. Sprawdź stan baterii: Naciśnij krótko przycisk włączania / wyłączania, a dioda LED zacznie migać. Sprawdź stan naładowania baterii w dolnej skali. Regulacja przepływu: W dmuchawie są trzy poziomy przepływy: 170/210/240 L/min. W celu zmiany poziomu przepływu powietrza, należy nacisnąć przycisk przepływu

powietrza zmieniając kolejno ustawienia, dopóki nie zostanie uzyskany pożądany poziom przepływu. (Rys 11)

Wymiana filtra głównego i filtra wstępnego: W razie sygnału alarmu filtra należy wymienić filtr wstępny (Rys. 12). Należy monitorować częstotliwość alarmów filtra. Oczekuje się, że każda kolejna wymiana filtra wstępnego powoduje skrócenie okresu między wymianami. Jeśli według uznania użytkownika okres między wymianami stanie się zbyt krótki, zaleca się wymianę filtra głównego i filtra wstępnego. (Rys 13) Funkcje alarmów

Alarm zatkania filtra: Jeśli włączy się alarm zatkania filtra, dioda LED zaświeci się na czerwono. Bez działania poziomu przepływu III i II zmieniają się na jeden niższy.

W celu wymiany filtra wstępnego i filtra głównego należy nacisnąć przycisk wyłącznika przez dwie sekundy, aby wyłączyć system e3000X. Teraz można wymienić filtry. Jeśli system e3000X nie zostanie wyłączony w czasie trwania alarmu, będzie pracował przez kolejne 15 minut, do czasu automatycznego wyłączenia.

Alarm baterii: Jeśli włączy się alarm baterii, dioda LED zaświeci się na czerwono. Rozlegnie się pojedynczy, trwający sekundę akustyczny sygnał ostrzegawczy, a system będzie mógł działać przez około 30 minut. Po tym czasie system e3000X wyłącza się.

Przechowywanie

System e3000X i wszystkie akcesoria należy przechowywać w suchym miejscu. Chronić przed promieniowaniem słonecznym, wysoką temperaturą oraz kontaktem z węglowodorami i rozpuszczalnikami.

Konserwacja

Sprawdzać regularnie działanie helmu zgodnie z instrukcją obsługi. Sprawdzać, czy uszczelka w części twarzonej i dysza powietrza nie są dziurawe, pęknięte lub uszkodzone w inny sposób, skontrolować także, czy elementy te są prawidłowo zamontowane w helmie (por. instrukcja obsługi). Nie używać urządzenia, dopóki nie zostaną wymienione wszystkie zużyte lub uszkodzone części.

Plan konserwacji	
Czynność	System użytkowany
Czyszczenie, dezynfekcja	Po każdym użyciu
Inspekcja wzrokowa	Przed i po każdym użyciu
Ładowanie baterii	Po każdym użyciu
Wymiana uszczelki między filtrem głównym a zespołem dmuchawy	Wymieniać tylko, jeśli uszczelka jest zużyta lub uszkodzona, ale przynajmniej raz w roku.

Opretel zaleca, aby urządzenie było serwisowane przynajmniej raz w roku przez firmę wykwalifikowaną przez firmę Opretel.

W nieużywany sprężcie należy co 4 miesiące ładować baterię.

Czyszczenie i dezynfekcja

Dmuchawę, przewód powietrza i helm należy czyścić czystą szmatką zwilżoną wodą z mydłem. Pozostawić urządzenie do wyschnięcia w temperaturze pokojowej. Nie używać silnych detergentów, alkoholu ani środków czyszczących zawierających materiały ściernie. Uszczelkę części twarzonej można prać (ręcznie, nie wirować)

Specyfikacja techniczna

(Zastrzegamy sobie prawo do wprowadzania zmian technicznych)

Nominalny współczynnik ochrony	Europa: Klasyfikacja TH3P (TH2 hard hat) Australia: Klasyfikacja P3
Jednostka dmuchawy	Prędkości przepływu: Poziom 1: min. 170 L/min * Poziom 2: min. 210 L/min * Poziom 3: min. 240 L/min *
Materiał	PC+ABS
Dmuchawa	Wysokiej jakości, trwałe silnik bezszczotkowy z łożyskami kulkowymi
Bezpiecznik	Bezpiecznik elektroniczny
Bateria	Typ: Li-Ion, wielokrotnego ładowania Napięcie / pojemność 14,8V / 3,25Ah Cykle ładowania > 500 Czas pracy poziom 1* 18 h Czas pracy poziom 2* 16 h Czas pracy poziom 3* 13 h Czas ładowania: ok. 5h Masa: 420g / 14,815 unci Kolor: czarny
	*min. czas z nowym filtrem, w temperaturze pokojowej

Poziom hałas	Maks. 70 dB(A)
Sygnaly ostrzegawcze	alarm optyczny i akustyczny niskiego poziomu baterii, zatkania filtra, braku filtra oraz niskiego przepływu
Filtr	1 x typ TH3P R SL do systemu TH3P (Europa) / systemu TH3P (Australia)
Przewód powietrza	Długość: 1160 mm (elastyczny do 1300mm z tuleją ochronną) Średnica: 31 mm (wewnętrzna) Masa: 185g / 6,526 unci (bez tulei ochronnej) Kolor: czarny
Masa	1195g / 42,152 unci (w tym filtr i pas bez baterii)
Wymiary	DxSxW: 222 x 213 x 92,6 mm
Normy	EN 12941:1998 /A2:2008, EAC TP TC 019/2011, AS/NZS 1716
Jednostka notyfikowana	CE 1024

Rozwiązywanie problemów

Dmuchawa nie uruchamia się

→ Sprawdzić, czy bateria jest włożona prawidłowo.

→ Sprawdzić, czy bateria jest w pełni naładowana

Ostrzeżenie dotyczące filtry jest włączone nawet, gdy filtr główny i filtr zostały wymienione i są prawidłowo zamontowane

→ Błąd wewnętrzny systemu e3000X

→ Dostarczyć system 3000 do najbliższego dealera

Czas pracy baterii staje się bardzo krótki

→ Wadliwa bateria - wymienić zużyłową używaną baterię zgodnie z krajowymi przepisami o odpadach szczególnych.

→ Wadliwa ładowarka - wymienić

Części zapasowe (zob. okładka I, II, III, IV, IV)

1 System z wymuszonym obiegiem powietrza e3000X PAPER

2 Filtr główny filtr TH3P R SL do systemu TH3P (Europa) / systemu TH3P

(Australia)

3 Filtr wstępny

4 Zabezpieczenie przed iskrzeniem

5 Pokrywa filtra

6 Bateria standardowa (Li-Ion 48 Wh)

7 Helm kompatybilny z systemem z wymuszonym obiegiem powietrza

9 Przewód

10 Tuleja ochronna do przewodu powietrza (Akcesorium, nieuwzględnione)

Dodatkowe akcesoria można znaleźć w naszym podstawowym katalogu lub na stronie internetowej.

Legenda (zob. okładka)

A Przed użyciem należy przeczytać instrukcję obsługi.

B Do otwierania nie używać ostrych przedmiotów.

C Zawiera delikatne elementy

D Przechowywać tą stroną do góry

E Chronić przed wilgocią

F Znak jednostki notyfikowanej (ochrona dróg oddechowych)

G Znak G EAC (Rosja)

H Znak jednostki notyfikowanej (ochrona oczu)

I Zawiera jony litu

J Plastik, nadaje się do recyklingu

K Zalecane temperatura przechowywania: +5 °C do +25 °C

L Nie wyrzucać ze zwykłymi odpadami domowymi. Utylizować zgodnie z krajowymi przepisami o odpadach szczególnych.

Deklaracja zgodności

Informacje znajdują się na stronie internetowej podanej na ostatniej stronie instrukcji.

Informacje prawne

Niniejszy dokument spełnia wymogi określone w pkt. 1.4 załącznika II do rozporządzenia UE 2016/425.

Jednostka notyfikowana

Szczegółowe informacje znajdują się na ostatniej stronie.

Čeština

Úvod

Ventilační filtrační zařízení je zařízení, které slouží k tomu, aby se pomocí tohoto zařízení mohla schválená svářeči anebo brusící kukla (ochranná přilba) zásobovat filtrovaným čerstvým vzduchem. Při dodržování pokynů uvedených v tomto návodě, jakož i v návodě k použití ochranné přilby, bude uživatel chráněn proti prachu a drobným částicám ve vdechovaném vzduchu.

Bezpečnostní pokyny

Před použitím zařízení si nejdříve pečlivě přečtěte tento Návod k použití. Při nesprávném použití by mohlo dojít k ohrožení života nebo zdraví a také k zneplátnění jakýchkoliv nároků na uplatnění záruky vůči společnosti Optrel.

Výstražné upozornění a omezení ochrany / rizika

Ochrannou kuklu používejte pouze pokud je připojena k ventilátoru a ventilátor je spuštěn. Ventilátor smí být používán pouze s dýchacím přístrojem, který odpovídá požadavkům evropských a australských norem. Tento respirátor s filtrací vzduchu (PAPR) neposkytuje ochranu vůči plynným látkám. Nasadte si kuklu a zapněte před zahájením práce; pouze tehdy můžete bezpečně vstoupit do nebezpečné zóny. Jestliže má ventilátor poruchu, ihned opusťte nebezpečnou zónu. Pokud se spustí výstraha pro nízký stav baterie (rozsvítí se červená LED kontrolka a zazní zvukový signál), musíte ihned opusťte nebezpečnou zónu. Dobijte nebo vyměňte baterii. Pokud se spustí výstraha pro průtok vzduchu (rozsvítí se červená LED kontrolka a zazní zvukový signál), musíte ihned opusťte nebezpečnou zónu a vyměnit filtr.

Při silném větru vanoucím z boční nebo zadní strany může dojít k nepříznivému ovlivnění ochrany poskytované kuklou. V případě extrémně vysokého znečištění prostředí poletávající částicemi může vdechováním v kukle vzniknout velmi nízký tlak. To může snížit její ochranu. V takovém případě nesundávejte kuklu ani nevypínejte ventilátor, dokud neopustíte nebezpečnou zónu. Při sundávání kukly dodržujte veškerá nezbytná bezpečnostní opatření k zabránění vdechnutí prachu nebo kontaminovaného materiálu, který se mohl uchytit na vnější straně kukly. Nikdy neponožte ventilátor ani baterii do vody; mohlo by dojít k poškození. Zajistěte, aby zde při čištění nemohla vniknout voda. Použité filtry nelze vyčistit nebo opakovaně použít. Pokusy o vyčištění filtrů pomocí stlačeného vzduchu nebo vody filtry poškodí. Nikdy nezkratujte baterii; mohlo by dojít k nevrátelné porození.

Respirátory s filtrací vzduchu (PAPR) nesmí být použity,

- v hořlavém nebo výbušném prostředí,
- pokud vdechovaný vzduch neobsahuje dostatečné množství kyslíku (Evropa: <17 %, Austrálie: <19 %) nebo koncentrace jedovatých látek je tak vysoká, že třída ochrany musí být vyšší než TH3P (Evropa a Austrálie),
- při teplotách nižších než -5 °C nebo vyšších než +55 °C,
- v prostředí, kde ohroží bezprostřední ohrožení života a zdraví.

VAROVÁNÍ

- Váš zaměstnavatel (nebo vy, pokud nemáte zaměstnavatele) je / jsou zodpovědní za to, že tento respirátor je vhodný pro aplikaci uživatele.
- Optrel nemůže předvídat, co se stane s tímto respirátorem v každém potenciálním prostředí. Materiály mohou být chemicky napadeny, pokud jsou vystaveny nesprávnému prostředí a mohou vykazovat nadměrnou korozi nebo jiné formy poškození. Přechod nebo průnik plynů, kapalin nebo částic skrz materiály by mohl být nadměrný. Extrémní teploty mohou způsobit tepelnou degradaci. Každá z těchto věcí nebo jejich kombinace by mohla vytvořit podmínky, za kterých by tento respirátor Optrel mohl být nebezpečný.
- Před vstupem do nebezpečného prostředí při používání tohoto respirátoru musíte provést bezpečné vědecké testy, abyste zjistili, zda by prostředí mohlo učinit zařízení nebezpečným. Výsledky tohoto testování by měly být dobře zdokumentovány. Vyhleďte pomoc certifikovaného bezpečnostního profesionála nebo průmyslového hygienika. **NEPOUŽÍVÁTE** toto zařízení, pokud by byl uživatel jakýmkoliv způsobem ohrožen degradací materiálů v přístroji.
- Všechny osoby používající tento dýchací přístroj Optrel musí být informovány o jeho omezeních. Nemůžeme nést odpovědnost za žádné škody na majetku, zranění osob nebo smrti, při kterých je environmentální expozice přispívajícím faktorem.
- Nepoužívejte tento respirátor, pokud se mezi helmou faceale a obličej (např. Vlasý šátek, pokrývka hlavy atd.) vyskytne cokoliv. Tato podmínka zabrání dobrému utěsnění přilby a může umožnit únik nečistot do přilby.
- Nepoužívejte tento respirátor v prostředích, kde koncentrace kontaminantů

nejsoú známy nebo jsou bezprostředně nebezpečné pro život nebo zdraví (IDLH). Atmosféry IDLH jsou definovány jako:

- a. Ti, které nositel nemohl dýchat na krátkou dobu.
 - b. Ti, od kterých uživatel nemohl uniknout bez pomoci respirátoru.
 - c. Osoby, které mají okamžitý nebo opožděný nepříznivý vliv na zdraví.
- **NIKDY** nepoužívejte tento respirátor bez Optrel HE filtru, P/N 4088.100.
 - Nepoužívejte tento respirátor tam, kde by okolní podmínky mohly způsobit uvolnění nebo sklouznutí helmy.
 - Tento respirátor nechrání před plyny nebo výparry. Je určen pouze pro ochranu před částicemi.
 - Okamžitě vraťte se do nekontaminované oblasti, pokud:
 - a. Ochutnáte nebo cítíte kontaminanty, nebo pokud se vaše oči, nos nebo hrdlo podráždí.
 - b. Dýchání se stává obtížným.
 - c. Vzduch, který dýcháte, se stává nepříjemně teplým.
 - d. Cítíte se nevolnost nebo závratě.
 - e. Zaznamenáte ztrátu nebo snížení průtoku vzduchu.
 - f. Přilba se pohybuje, sklouzává nebo unika.
 - g. Cítíte se unavená.
 - Tento respirátor nechrání exponované části těla. Některé kontaminanty mohou být absorbovány přímo kůží, zatímco jiné mohou dráždit exponované oblasti.
 - Tento respirátor neposkytuje ochranu před škodlivým hlukem. Vždy používejte správnou ochranu sluchu.
 - Tento respirátor nedodává kyslík. Respirátor nepoužívejte prostředí obsahující méně než 19% objemových kyslíku.
 - Tento respirátor nesmí být používán pod vodou, pro fumigaci, vnitřní konstrukční protizáračné zásah, abrazivní otryskání nebo v oblastech, kde by se s respirátorem mohla dostat delší doba vysokých teplot nebo plamenů.
 - Respirátory, příslušenství a související vybavení Optrel by neměly být používány v atmosféře, která může obsahovat koncentrace kontaminantů nad úroveň nižšího výbušného prostředí (LEL).
 - Tento respirátor snižuje, ale nebude eliminovat vdechování kontaminantů. Někteří citliví jedinci mohou po vystavení i nepatrnému množství kontaminantů pociťovat zdravotní problémy. Tento respirátor nezabrání zdravotním problémům těchto osob.
 - Osoby senzibilizované mohou mít závažnou reakci na úrovních, které jsou hluboko pod přijatelnými úrovněmi zdraví, jako je například OSHA Permissible Exposure Limit (PEL), ACGIH Threshold Limit Value (TLV) nebo NIOSH Recommended Exposure Limits (REL). **NEPOUŽÍVÁTE** tento respirátor, pokud jste byl (a) senzibilizován (a) před předchozí expozicí nebo se domníváte, že můžete být citliví nebo alergičtí na jakoukoli chemickou látku (např. Isokyanáty, latex atd.). Pokud nedostanete povolení od lékaře.
 - Vždy si přečtěte a řiďte se pokyny uvedenými v bezpečnostním listu materiálu pro chemikálie, které jsou v pracovní oblasti.
 - Nepoužívejte, pokud máte již existující stav kůže (například folliculitida nebo vitiligo), dokud se nedostanete od lékaře.
 - Tento respirátor musí být používán a používán tak, jak je uvedeno v pokynech společnosti Optrel. Nenechávejte žádnou část respirátoru nebo vymechejte povinný krok instrukcí.
 - Žádný respirátor nemůže zajistit úplnou ochranu před všemi podmínkami. Při nouzových podmínkách berte zvyšné opatření.
 - Uživatel musí tento respirátor čistit a udržovat pouze v souladu s pokyny společnosti Optrel. Příslušenství, které společnost Optrel nenabízí, může zhoršit výkonnost a zruší certifikaci.
 - Pokud se u Vás objeví podráždění kůže nebo změna barvy, přerušte používání.
 - Tento výrobek může poskytovat nedostatečnou ochranu, pokud je nesprávně používán, což může mít za následek vážné zranění, vážné onemocnění nebo smrt.
 - Pouze pro vyškolený kvalifikovaný personál.
 - Nepoužívejte tento respirátor, pokud byl vystaven v kontaminovaném prostředí, protože na vnitřní straně helmy se mohly hromadit nečistoty a při nasávání plynové masky vdechovat.
 - Respirátory, které se běžně používají, musí být zkontrolovány před a po každém použití.
- PORUČKA POZOROVAT VŠECHNY VAROVÁNÍ MŮŽE VÝSLEDEK VÁŽNĚHO OSOBNĚHO ÚRAZU, VÁŽNĚHO NEMOCI NEBO SMRTI.**
Máte-li jakékoli dotazy o konkrétním použití nebo vhodnosti systému e3000X, obraťte se prosím na prodejní oddělení společnosti Optrel.

Záruka a odpovědnost

Společnost Optrel výrobek opraví nebo jej dle potřeby vymění v případech, kdy se vyskytnou vady materiálu nebo výrobní vady do 24 měsíců od data koupě, a to za předpokladu, že byl výrobek používán v souladu se schváleným použitím dle pokynů v návodu k obsluze.

Záruka pozbude platnosti v případě, že bylo změněno, odstraněno nebo znečistěno sériové číslo, nebo byl výrobek záměrně poškozen, bylo s ním špatně zacházeno, nebo byl otevřen či upraven. Záruka také pozbude platnosti, pokud byl výrobek použit nesprávným způsobem, byly použity neoriginální náhradní díly nebo nebyla prováděna správná údržba.

Záruka pokrývá pouze opravy nebo výměnu vadných dílů. Společnost Optrel za žádných okolností neposkytuje žádnou záruku na obecné havárie nebo následné škody.

Životnost:

e3000X má neomezenou dobu použitelnosti. Produkt lze používat tak dlouho, dokud se neobjeví viditelná nebo i neviditelná vada nebo funkční problém.

Oblast použití

e3000X je dýchací přístroj s filtrací vzduchu (PAPR) pro ochranu proti prachu a částicám materiálu. Tento systém je certifikován dle TH3P v souladu s evropskou normou EN 12941: 1998 a dle TH3P v souladu s australskou normou AS/NZS 1716: 2012.

e3000X se používá pro podporu procesu ventilace, snižuje úsilí při dýchání a tím omezuje únavu. Elektronický systém regulace průtoku vzduchu monitoruje ventilátor, aby byl zajištěn konstantní průtok min. 170 L/min.

Provozní doba e3000X s plně nabitou baterií závisí na typu baterie a stavu filtru (viz tabulka s technickými údaji).

Prohlídka a zkouška před použitím

• Opatrně odstraňte obal různých částí.

• Před prvním použitím baterii zcela nabijte

Kontrolní tabulka:

Zkontrolujte, zda je jednotka v souladu s rozsahem dodávky kompletní a nic nebylo poškozeno. Pokud se zjistí jakákoliv škoda nebo její část chybí, obraťte se okamžitě na obchodní oddělení. Nikdy nepoužívejte poškozenou nebo nekompletní jednotku. Podívejte se prosím na následující komponenty:

SOUČÁSTKA	HLEDAT
Baterie	1. Konektor prasklý nebo rozbitý. 2. Uvolněté víko skříně baterie nebo poškozený konektor.
Hadice	1. Otvory, řezy nebo oděrky. 2. Poškozené spirály.
Kabelový popruh / ramenní popruh	1. Řezy, škrábnutí, slzy nebo zlomené šití. 2. Poškozená přezka. 3. Volný hardware.

Pro všechny informace o e600 faceal použijte manuál pro plošné těsnění.

Prohlídka a zkouška před použitím

Před každým použitím se ujistěte, že je kukla e3000X v bezvadném stavu a postupujte následovně:

1. Zkontrolujte, zda je správně nainstalován svodič jisker, hlavní filtr a předfiltr, a zda je zámek pouzdra bezpečně zajištěn (kryt pouzdra se musí zavřít kliknutím) (obr. 1). Poznámka: Při použití v lékařské oblasti je možné z hygienických důvodů vynechat ochranu před jiskry a předfiltr.
2. Zkontrolujte, zda není poškozena vzduchová hadice a vzduchová přípojka (otvory, trhliny, zářezy). Připojte vzduchovou hadici ke kukle a ventilátoru tak, že hadici zatlačíte do odpovídajícího dílu na zařízení, dokud neuslyšíte cvaknutí, které zaručuje, že hadici není možné odpojit lehkým zatažením. (obr.2).
3. Zapněte kuklu e3000X stisknutím tlačítka zapnutí / vypnutí po dobu přibližně 0,5 sekundy. (obr. 3). Během spuštění se rozsvítí na dobu přibližně 3 sekund všech 5 kontrol LED (3 zelené LED pro výběr průtoku vzduchu a 2 červené LED, přičemž jedna slouží pro označení stavu baterie a druhá pro stav filtru –obr. 4) a zazní zvuková výstraha (3 pípnutí). Poté je kukla e3000X připravena k použití.
4. Kromě toho během této spouštěcí fáze kukla e3000X provede prvotní samokontrolu ke zjištění, zda zařízení poskytuje správný průtok vzduchu vyšší než 170 L/min. Jestliže zhasne červená LED kontrolka filtru před uplynutím zmíněných 3 sekund, je dodržen průtok min. 170 L/min. Díky vestavěnému snímači průtoku e3000X reguluje a během celé doby provozu neustále udržuje správný průtok minimálně 170 L/min.
5. Jak již bylo zmíněno, e3000X je vybavena zvukovou výstrahou (obr. 5)

při nízkém stavu nabití baterie a chybějícím, upcpaném nebo nesprávně nasazeném filtru. Jestliže je spuštěna výstraha, je nutné nebezpečnou zónu ihned opustit!

Zkontrolujte alarm při nízkém průtoku vzduchu/upcání filtru napodobením podmínek nízkého průtoku vzduchu:

Při zapnutí kukle e3000X odpojte z kukly hadici a pevně ucpěte konec hadice dlani čisté ruky; motor poté automaticky zvýší otáčky a pokusí se kompenzovat nízký průtok vzduchu. Nadále dlani pevně držte konec hadice, tak, aby byl dobře upcpaný. Jakmile dosáhnete vzduchotěsného upcání, zařízení vydá zvukový alarm a rozsvítí se červená LED kontrolka filtru.

6. Chcete-li alarm vypnout, stiskněte tlačítko zapnutí/vypnutí po dobu přibližně 3 sekund a připojte hadici ke kukle.
7. Ujistěte se, že ochranná kukla není poškozena, a nasadte si ji a upevněte respirátor přes boky.
8. Spustěte ventilátor a ujistěte se, že vzduch v ochranné kukle normálně proudí.

V případě jakéhokoliv poškození musíte před použitím respirátoru případnou vadnou součást vyměnit.

Provozní režim

Nastavení délky popruhu: Nasadte si popruh (obr. 6) a upravte jeho délku tak, aby byl ventilátor pohodlně umístěn na vašich bocích.

Odpojení vzduchové hadice: Stiskněte přípojku hadice na obou stranách a odpojte ji od odpovídající součásti (obr. 7).

Instalace baterie: Baterie musí být vložena do příslušné lišty na spodní straně kukly e3000X. Zasuňte baterii, dokud neuslyšíte cvaknutí (obr. 8).

Vyjmutí a nabití baterie: Zatáhněte za páčku pro odstranění krytu baterie vytáhněte ji z lišty, dokud není úplně vytažena z jednotky ventilátoru (obr. 9). Poté baterii připojte k nabíječce (obr. 10). Proces nabíjení je signalizován pomocí žluté LED kontrolky na nabíječce. Po dokončení nabíjení se barva LED kontrolky změní na zelenou a je aktivován udržovací režim nabití. Zkontrolujte, zda napětí v zásuvce odpovídá určenému napětí nabíječky.

VAROVÁNÍ

• Optrel P / N 4553.020 Lithium-iontové baterie lze nabíjet pouze pomocí Optrel nabíječky (P / N 4551.070) s použitím americké zástrčky. Použití jiných nabíječek může způsobit výbuch, který může mít za následek zranění nebo smrt.

• Nabíječky Optrel (P / N 4551.070) jsou určeny pouze pro vnitřní použití a nesmějí být vystaveny vnějším prvkům. Nenabíjejte baterii při teplotách vyšších než 0 ° C - 45 ° C. Nenabíjejte baterii v blízkosti hořlavých materiálů, jako jsou krabice, papír a nábytek.

• Nabíjení akumulátoru musí být prováděno v bezpečném prostředí, které není nebezpečné. Baterii nenabíjejte ani neskladujte v blízkosti svařovacího přístroje. • Nevystavujte lithium-iontové články vodě ani nedovoďte, aby se zvlhčily. Případné vystavení akumulátoru vodě je přijatelné za předpokladu, že iontové články zůstanou suché.

• Baterie nerozebírejte ani neupravujte. Baterie obsahují bezpečnostní a ochranná zařízení, která mohou při poškození způsobit vznik tepla, výbuchu nebo vznícení.

VAROVÁNÍ

• Nepokládejte baterii na přímé sluneční světlo nebo baterii nepoužívejte v blízkosti zdroje tepla nebo elektrického oblouku.

• Nedodržení těchto upozornění může mít za následek vážné zranění, vážné onemocnění nebo smrt.

POZOR

• Optrel doporučuje, aby byla baterie nabíta a skladována při teplotách mezi 40 ° F a 80 ° F (4,5 ° C a 26,7 ° C). Nabíjení při vyšších teplotách vede ke snížení kapacity a snížení životnosti baterie.

• Buďte opatrní, abyste zabránili propichnutí nebo prasknutí buněk.

• Pokud je lithiová baterie poškozena, zdá se, že během nabíjení nabobtná, vytéká elektrolytem nebo se během nabíjení neobvykle zahřívá, okamžitě ji přestaňte používat a skladujte v ohnivzdorné nádobě, dokud nebude recyklována.

• Nenechávejte baterii připojenou k nabíječce déle než 70 hodin.

Zkontrolujte stav baterie: Krátce stiskněte tlačítko On / Off a LED dioda bude blikat. Zkontrolujte stav nabití baterie ve spodní části váhy.

Nastavení průtoku vzduchu: Ventilátor má tři úrovně průtoku vzduchu: 170/210/240 L/min. Chcete-li změnit rychlost průtoku vzduchu, přepínejte různými úrovněmi průtoku pomocí tlačítka průtoku vzduchu, dokud

nedosáhnete požadovaného průtoku. (obr. 11)

Výměna hlavního filtru a předfiltru: V případě spuštění alarmu filtru prosím vyměňte předfiltr (obr. 12). Sledujte prosím dobu mezi spuštěními alarmů filtru. Očekává se totiž, že při každé výměně předfiltru bude tato doba kratší. Jestliže se vám zdá, že je interval výměny příliš krátký, což závisí na rozhodnutí uživatele, doporučuje se vyměnit hlavní filtr a předfiltr. (obr. 13)

Funkce alarmu

Alarm při ucpání filtru: Jestliže se spustí alarm při ucpání filtru, rozsvítí se červená LED kontrolka. Bez působení se úroveň průtoku III a II mění na jednu nižší. Chcete-li vyměnit předfiltr a hlavní filtr, stiskněte prosím tlačítko zapnutí/vypnutí po dobu 2 sekund, abyste vypnuli kuku e3000X. Nyní můžete provést výměnu filtrů. Pokud nevypnete kuku e3000X, když je spuštěn alarm, spustí se na dobu dalších 15 minut, a poté se automaticky vypne.

Alarm baterie: Jestliže se spustí alarm baterie, rozsvítí se červená LED kontrolka. Jednou za sekundu zazní zvuková výstraha, a kukla je schopna provozu po dobu dalších přibližně 30 minut. Po uplynutí této doby se e3000X vypne.

Skladování

Kuku e3000X a její příslušenství je nutné skladovat na suchém místě. Chrňte ji před slunečním světlem, vysokými teplotami a před uhlovlodíky a parami rozpouštědél.

Údržba

Ochrannou kuklu pravidelně kontrolujte v souladu s návodem k obsluze. Zkontrolujte, zda těsnění tvářové části a vzduchové trysky neobsahují otvory, praskliny nebo jiné poškození a zkontrolujte také, zda jsou správně umístěny v kukle (viz návod k obsluze). Nepoužívejte systém, pokud nevytělíte všechny opotřebené nebo poškozené součásti.

Plán údržby	
Činnost	Používaný systém
Čištění, dezinfekce	Po každém použití
Vizuální prohlídka	Před a po každém použití
Nabíjení baterie	Po každém použití
Vyměňte těsnění mezi hlavním filtrem a ventilátorem	Výměnu proveďte pouze v případě, že je těsnění opotřebené nebo poškozené, ale nejméně jednou ročně.

Společnost Optrel doporučuje, aby byl přístroj alespoň jednou ročně servisován společností kvalifikovanou společností Optrel. Jestliže je zařízení uskladněno, musí se každé 4 měsíce provádět dobíjení baterie.

Čištění a desinfekce

Pomocí čisté látky navlhčené do vody s mýdlem vyčistíte ventilátor, vzduchovou hadici a ochranu kuklu. Ponechte zařízení uschnout při pokojové teplotě. Nepoužívejte silné čisticí prostředky, rozpouštědla a alkohol nebo čisticí prostředky obsahující abrazivní látky. Těsnění tvářové části je možné prát (v ruce, neodstředovat).

Technické údaje

(Vyhrazujeme si právo na technické změny.)

Jmenovitý faktor ochrany	Evropa: Třída TH3P (TH2 hard hat) Austrálie: Třída P3
Ventilátor	Nastavení průtoku vzduchu: Úroveň 1: min. 170 L/min * Úroveň 2: min. 210 L/min * Úroveň 3: min. 240 L/min *
Materiál	PC+ABS
Ventilátor	Vysoce kvalitní bezkarátáčový motor s dlouhou životností s kulíkovým ložiskem
Pojistky	Elektronický jistič
Baterie	Typ: Li-Ion nabíjecí Napětí / kapacita: 14,8 V / 3,25 Ah Nabíjecí cykly: > 500 Provozní doba na úrovni 1* 18 h Provozní doba na úrovni 2* 16 h Provozní doba na úrovni 3* 13 h Doba nabíjení: přibližně 5 h Hmotnost: 420 g / 14,815 oz Barva: černá *min. provozní doba s novým filtrem při pokojové teplotě

Hlučnost	Max. 70 dB (A)
Výstražné signály	optický a zvukový alarm pro nízkou úroveň nabití baterie, ucpání filtr, chybějící filtr a nízký průtok vzduchu
Filtr	1 x typ TH3P R SL pro systém TH3P (Evropa) / systém TH3P (Austrálie)
Vzduchová hadice	Délka: 1160 mm (průtažnost až na 1300 mm s ochranným pouzdrem) Průměr: 31 mm (vnitřní) Hmotnost: 185 g / 6,526 oz (bez ochranného pouzdra) Barva: černá
Hmotnost	1195 g / 42,152 oz (včetně filtru a popruhu, bez baterie)
Rozměry	D x Š x V: 222 x 213 x 92,6 mm
Normy	EN 12941:1998 / A2:2008, EAC TP TC 019/2011, AS/NZS 1716
Kompetentní úřad	CE 1024

Řešení problémů

Ventilátor se nespustí

→ Ujistěte se, že je baterie správně nabitá.

→ Ujistěte se, že je baterie plně nabitá.

Výstraha filtru se spustí i po výměně a správném nasazení hlavního filtru a předfiltru.

→ Vnitřní chyba kukly e3000X

→ Vraťte kuklu 3000 svému nejbližšímu prodejci

Provozní doba baterie je velmi krátká

→ Vadná baterie – vyměňte a zlikvidujte použitou baterii v souladu s místními předpisy pro likvidaci nebezpečného odpadu.

→ Vadná nabíječka – vyměňte

Náhradní díly (viz obal I, II, III, IV)

1 respirátor se vzduchovým filtrem e3000X

2 Hlavní filtr TH3P R SL pro systém TH3P (Evropa) / systém TH3P (Austrálie)

3 Předfiltr

4 Ochrana proti jiskrám

5 Kryt filtru

6 Standardní baterie (Li-Ion 48 Wh)

7 Kukla kompatibilní s respirátorem se vzduchovým filtrem

9 Hadice

10 Ochranné pouzdro vzduchové hadice (Příslušenství, které nejsou zahrnuty)

Další příslušenství můžete získat z hlavního katalogu nebo našich webových stránek.

Vysvětlivky (viz obal)

A Před použitím si přečtěte tyto pokyny.

B K otevření nepoužívejte ostré předměty.

C Křehké

D Skladujte touto stranou nahoru.

E Chrňte před vlhkostí.

F Značka kompetentního úřadu (ochrana dýchacích orgánů)

G Značka EAC (Rusko)

H Značka kompetentního úřadu (ochrana očí)

I Obsahuje lithium-iontové baterie.

J Plast, recyklovatelný.

K Doporučená skladovací teplota: +5 °C až +25 °C

L Nesmí být likvidováno s běžným domovním odpadem. Likvidaci prosím provádějte v souladu s národními předpisy pro nebezpečný odpad.

Vyhlášení o shodě

Viz internetová adresa na poslední straně.

Právní informace

Tento dokument odpovídá požadavkům nařízení EU 2016/425 bod 1.4 přílohy II. Notifikovaný orgán

Detailní informace viz poslední strana.

Введение

Блок фильтрации и подачи воздуха Optrel e3000X - это средство индивидуальной защиты органов дыхания – фильтрующий СИЗОД, служащее для подачи чистого фильтрованного воздуха в специально оборудованную сварочную маску (щиток для шлифовки), которая сертифицирована для проведения сварочных работ. При соблюдении настоящих указаний и указаний по пользованию защитным сварочным щитком пользователь будет защищен от пыли и содержащихся в воздухе вредных частиц во время сварки или аналогичных работ, в том числе запыленных.

Инструкции по технике безопасности

Перед использованием оборудования внимательно прочитайте инструкцию по эксплуатации. Неправильное использование может быть опасным для жизни и здоровья, а также лишить законной силы гарантийные рекламации, предъявляемые к компании Optrel.

Предупреждения и ограничения защиты/Риски

Надевайте специально оборудованную защитную маску сварщика (щиток для шлифовки) только в том случае, если она подсоединена к СИЗОД Optrel e3000X и он работает. СИЗОД необходимо использовать только в сочетании с дыхательным аппаратом, отвечающим требованиям европейских и австралийских стандартов. Данный СИЗОД не обеспечивает защиту от газообразных веществ. Наденьте устройство и включите его до начала работы; только после этого выходя в загрязненную среду будет безопасен. Если блок фильтрации подачи воздуха неисправен, то немедленно покиньте загрязненную зону. В случае срабатывания сигнализации аккумулятора (горит красный индикатор и слышен звуковой сигнал) необходимо немедленно покинуть загрязненную зону и заменить фильтр.

Сильный ветер, дующий сбоку или сзади, может влиять на обеспечиваемую СИЗОД с маской защиту. Если окружающий воздух чрезвычайно сильно загрязнен аэрозолями, то в маске при вдыхании может создаваться очень низкое давление. Это может ухудшать защиту. В этом случае не снимайте маску и не выключайте блок фильтрации и подачи воздуха, пока не покинете загрязненную зону. Снимая маску, примите все необходимые меры предосторожности, чтобы избежать вдыхания пыли или загрязнений, которые могли остаться на маске снаружи. Недопускается погружать блок фильтрации и подачи воздуха или его аккумулятор в воду - это может привести к поломке устройства. При очистке устройства не допускайте попадания внутрь него воды. И использованные фильтры не подлежат очистке или повторному использованию. Очистка фильтров скатым воздухом или водой приведет к их повреждению. Короткое замыкание аккумулятора не допускается, т.к. может привести к неустраиваемой поломке.

Система СИЗОД не предназначена для использования в следующих условиях:

- в городских или в сельской атмосфере,
- при недостатке кислорода в вдыхаемом воздухе (Европа: <17%, Австралия: <19%, РФ: <19%),
- при превышении предельно допустимой концентрации (ПДК) вредных веществ более 500, т.к. класс необходимой защиты превышает ТНЗ (Европа, РФ и Австралия),
- при температурах ниже -5°С или выше +55°С,
- в условиях, в которых имеется непосредственная опасность для жизни и здоровья.

ПРЕДУПРЕЖДЕНИЕ

- Ваш работодатель (или вы, если у вас нет работодателя) несет ответственность за установление того, подходит ли использование в вашем рабочем месте.
- Optrel не может предсказать, что произойдет с этим СИЗОД в любой потенциальной среде. Материалы могут подвергаться химическому воздействию, если подвергаются воздействию неподходящей окружающей среды, и могут проявлять чрезмерную коррозию или другие формы повреждения. Просачивание или проникновение газов, жидкостей или частиц через материалы может быть чрезмерным. Экстремальные температуры могут вызывать тепловую деформацию. Каждая из этих вещей или их комбинация может создать условия, в которых этот СИЗОД Optrel будет опасным для использования.
- Прежде чем войти в загрязненную среду при ношении этого СИЗОД, вы должны провести безопасные научные измерения, чтобы определить, может ли данная среда сделать это оборудование небезопасным. Результаты этого тестирования должны быть задокументированы. Обратитесь за помощью к сертифицированному специалисту по промышленной безопасности или промышленной гигиене. НЕ ИСПОЛЬЗУЙТЕ это оборудование, если пользователь подвергнется какой-либо опасности из-за экологической деградации материалов в устройстве.
- Все лица, использующие этот дыхательный аппарат Optrel, должны быть ознакомлены с его ограничениями. Мы несем ответственность за любой ущерб или ущерб, травмы или смерть, если факторы возникновения этого остались воздействием окружающей среды на оборудование.
- Не используйте этот СИЗОД, если что-либо попадет между лицевой панелью маски и вашим лицом (например, волосы, бандажа, покрытие головы и т.д.). Это условие предотвращает необходимое сопряжение с маской и может привести к проникновению загрязнений внутрь маски.
- Не используйте этот фильтрующий СИЗОД в средах, где концентрации загрязняющих

веществ неизвестны или являются непосредственно опасными для жизни или здоровья (IDLH). Условия IDLH определяются как:

- a. Те, где владелец не мог дышать в течение коротких периодов.
 - b. Те, от которых владелец не может бежать без помощи СИЗОД.
 - c. Те, которые оказывают немедленное или отсроченное неблагоприятное воздействие на здоровье.
- НИКОГДА не используйте этот фильтрующий СИЗОД без фильтра Optrel HE, номер по каталогу 4088.100.
 - Не используйте этот фильтрующий СИЗОД там, где условия окружающей среды могут привести к смещению или соскальзыванию маски СИЗОД.
 - Этот СИЗОД не защищает от газов или паров в стандартной комплектации. Это только для защиты от твердых частиц. Для защиты от газов или паров должен использоваться специальный газовый фильтр.
 - Немедленно вернитесь в незагрязненную зону, если:
 - a. Вы ощущаете жары или запахи загрязняющих веществ или раздражение глаз, нос или горла.
 - b. Дыхание становится затруднительным.
 - c. Воздух, которым вы дышите, становится неприятно теплым.
 - d. Вы чувствуете тошноту или головокружение.
 - e. Вы замечаете потерю или уменьшение воздушного потока.
 - f. Маска движется, соскочит или протекает.
 - g. Вы чувствуете усталость.
 - Этот фильтрующий СИЗОД не защищает открытые участки тела. Некоторые загрязняющие вещества могут впитываться непосредственно через кожу, в то время как другие могут раздражать открытые участки.
 - Этот фильтрующий СИЗОД не обеспечивает защиту от вредного шума. Всегда носите надлежащие средства защиты органов слуха.
 - Этот фильтрующий СИЗОД не снабжает кислородом. Не используйте фильтрующий СИЗОД в атмосфере, содержащей менее 19% кислорода по объему.
 - Этот фильтрующий СИЗОД нельзя использовать под водой, для фумигации, внутреннего пожаротушения или в местах, где предположительная высокая температура или пламя могут соприкоснуться с фильтрующим СИЗОД.
 - Фильтрующий СИЗОД Optrel, аксессуар и соответствующее оборудование не должны использоваться в атмосфере, которая может содержать концентрацию загрязняющих веществ выше нижнего уровня взрываемости (LEL).
 - Этот фильтрующий СИЗОД существенно уменьшит, но не устранит полностью вдыхание загрязняющих веществ. Некоторые люди способны чувствительностью могут испытывать проблемы со здоровьем при воздействии даже незначительного количества загрязняющих веществ. Этот фильтрующий СИЗОД не предотвратит проблемы со здоровьем у этих людей.
 - У людей с повышенной чувствительностью может возникнуть серьезная реакция на химические вещества на уровнях, значительно ниже принятых пределов, безопасных для здоровья, таких как предельно допустимая концентрация загрязняющих веществ ПДК, или допустимый предел воздействия OSHA (PEL), пороговое значение ACGIH (TLV) или рекомендуемые пределы воздействия NIOSH (REL). НЕ ИСПОЛЬЗУЙТЕ этот фильтрующий СИЗОД, если вы ощущаете воздействие на организм от предыдущего контакта или считаете, что у вас может быть повышенная чувствительность или аллергия на какое-либо химическое вещество (например, изоцианаты, латекс и т.д.), пока не получите разрешение врача.
 - Всегда читайте и следуйте инструкциям, перечисленным в паспорте безопасности материала, для химических веществ, присутствующих в рабочей зоне.
 - Не используйте, если у вас уже есть заболевание кожи (например, фолликулит или витилиго), пока вы не получите разрешение от врача.
 - Этот фильтрующий СИЗОД необходимо носить и использовать как указано в инструкциях Optrel. Не оставляйте никакие части фильтрующего СИЗОД и не пропускать обязательные инструкции.
 - Ни один фильтрующий СИЗОД не может обеспечить полную защиту от любых условий. Будьте предельно осторожны при чрезвычайных ситуациях.
 - Пользователи должны чистить и обслуживать этот фильтрующий СИЗОД только в соответствии с инструкциями Optrel. Расходные элементы и запасные части, от других производителей, не Optrel, могут привести к снижению производительности и аннулированию сертификата соответствия.
 - Прекратите использование, если вы испытываете раздражение кожи или обезвоживание.
 - Этот продукт может обеспечить недостаточную защиту при неправильном использовании, что может привести к серьезным травмам, серьезным заболеваниям или смерти.
 - Для использования только обученным квалифицированным персоналом.
 - Не используйте этот фильтрующий СИЗОД, если он остался незащищенным в загрязненной среде, поскольку загрязняющие вещества могут накапливаться внутри маски и вдыхаться при надевании.
 - Регулярно используемый фильтрующий СИЗОД должен проверяться до и после каждого использования.
 - НЕ СОБЛЮДЕНИЕ ВСЕХ ПРЕДУПРЕЖДЕНИЙ МОЖЕТ ПРИВЕСТИ К СЕРЬЕЗНОЙ ТРАВМЕ, СЕРЬЕЗНОЙ БОЛЕЗНИ ИЛИ СМЕРТИ.

Если у вас имеются какие-либо вопросы, относящиеся к конкретной области применения, эксплуатации или пригодности системы e3000X, просим обращаться в отдел продаж компании Optrel.

Гарантийные обязательства и ответственность

Компания Optrel отремонтирует изделие или заменит его, если это будет необходимо, в случае обнаружения дефектов материалов или изготовления в течение 24 месяцев с момента продажи, при условии, что изделие эксплуатировалось в разрешенном образом, предусмотренным инструкцией по эксплуатации. Гарантийные обязательства будут аннулированы, если заводской номер был изменен, удален или стал неразборчивым, а также если изделие было намеренно повреждено, неправильно использовано, вскрыто или изменено. Гарантийные обязательства будут также аннулированы, если изделие эксплуатируется неправильно, используются запчасти, не предусмотренные производителем, а техобслуживание не выполняется должным образом. Гарантийные обязательства предусматривают только ремонт или замену дефектных элементов конструкции. Компания Optrel ни при каких обстоятельствах не берет на себя какие-либо гарантийные обязательства в отношении общих оснований или косвенных убытков.

Срок службы

СИЗОД e3000X не имеет срока годности. Он может использоваться до тех пор, пока не возникнут скрытые или видимые повреждения.

Области применения

Система e3000X - это механизированный блок фильтрации и подачи воздуха (СИЗОД) для защиты от пыли и аэрозолей. Система имеет сертификат ТНЗР согласно европейскому стандарту EN 12941: 1998 и сертификат ТНЗР согласно австралийскому стандарту AS/NZS 1716:2012, сертификат ТНЗР согласно испытаниям по TP TC 019/2011 (ГОСТ 12.4.234-2012).

Система e3000X используется для поддержания процесса воздухообмена, уменьшая требуемое для дыхания усилие и, благодаря этому существенно снижается утомляемость во время работы. Электронная система управления воздушным потоком непрерывно отслеживает работу блока фильтрации и подачи воздуха, обеспечивая постоянство расхода воздуха на уровне как минимум 170 норм. л/мин. Фактическое время работы системы e3000X от полностью заряженного аккумулятора зависит от его типа и состояния фильтров (см. таблицу технических данных).

Перед первым использованием проведите осмотр и проверку

- Осторожно удалите упаковку с различных частей.
- Полностью зарядите аккумулятор перед первым использованием.

Проверка:

Проверьте комплектность устройства в соответствии с объемом поставки и отсутствие повреждений. Если обнаружено какое-либо повреждение или отсутствует какая либо деталь, немедленно свяжитесь с отделом продаж. Согласно не используйте поврежденный или неполный блок. Пожалуйста, обратите особое внимание на следующие компоненты:

Составные части	Проверка
Аккумулятор	1. Разъем сломан или сломан. 2. Ослабленная крышка батарейного отсека или поврежденный разъем.
Шланг	1. Отверстия, порезы или ссадины. 2. Поврежденные гофры
Ремень / Плечевая нагрузка	1. Порезы, порезы, срезы или сломанные швы. 2. Поврежденная пряжка. 3. Свободное болтающееся оборудование.

Для получения всей информации олицевом уплотнении e600, пожалуйста, используйте руководство полицевому уплотнению.

Предэксплуатационный осмотр и испытания

Перед каждым использованием следует убедиться в исправности системы e3000X, а затем выполнить следующее:

1. Проверьте, правильно ли установлены искрогаситель, главный фильтр и предварительный фильтр и надежно ли зафиксирован замок корпуса (крышка корпуса должна закрываться щелчком) (Рис. 1). Примечание. При использовании в медицинской сфере искробезопасность и предварительные фильтры могут быть исключены из гигиенических соображений.
2. Проверьте, не повреждены ли воздушный шланг и соединитель (дырки, разрывы, порезы). Присоедините воздушный шланг к маске и блоку фильтрации и подачи воздуха, оставив шланг в соответствующее место на устройстве так, чтобы раздался щелчок – тогда отсоединить шланг при небольшом натяжении будет невозможно (рис. 2).
3. Включите систему e3000X, нажимая приблизительно 0,5 секунды на кнопку включения/выключения (рис. 3). В период пуска, продолжительности около 3 секунд, загорятся все 5 световых индикаторов (3 зеленых индикатора выбора расхода воздуха и 2 красных индикатора, один из которых указывает состояние аккумулятора, авторой - состояние фильтров - см. рис. 4) и прозвучит звуковой сигнал (3 коротких звука). После этого система e3000X готова к работе.
4. Кроме того, в период пуска система e3000X выполняет начальную самодиагностику,

чтобы проверить, что воздух подается с требуемым расходом, превышающим 170 л/мин. Если по истечении указанных 3 секунд красный индикатор погас, то это означает, что поддерживается расход не менее 170 л/мин. Благодаря встроенному датчику расхода, система e3000X регулирует и непрерывно поддерживает в течение всего периода работы требуемый расход на уровне более 170 л/мин.

5. Как упоминалось ранее, в системе e3000X имеется визуальная и звуковая сигнализация (рис. 5), сообщающая о разряженном состоянии аккумулятора и отсутствии, закурорке или неправильной установке фильтра. При включении сигнализации необходимо немедленно покинуть опасную зону! Проверьте исправность сигнализации о низком расходе воздуха/закурорке фильтра. Выполнив для этого имитацию режима низкого расхода:

Во время работы системы e3000X отсоедините шланг от маски и плотно прижмите к концу шланга чистую ладонь; после этого двояте автоматически увеличит скорость, пытаясь компенсировать падение расхода. Продолжайте плотно прижимать ладонь к концу шланга, обеспечивая надежную герметизацию. Когда вы обеспечите надежную герметизацию, сработает звуковая сигнализация и загорится красный индикатор состояния фильтра.

6. Выключите сигнализацию, удерживая нажатой кнопку включения/выключения около 3 секунд, а затем подсоедините шланг к маске.

7. Убедитесь, что маска не повреждена, наденьте его и закрепите пояс СИЗОД на талии.

8. Включите блок фильтрации и подачи воздуха и убедитесь, что воздух в защитной маске циркулирует нормально. Если имеется повреждение, то неисправные элементы конструкции нужно заменить до начала использования СИЗОД.

Рабочий режим

Регулировка размера пояса: наденьте пояс (рис. 6) и отрегулируйте его размер так, чтобы удобно расположить блок фильтрации и подачи воздуха на пояснице. Отсоединение воздушного шланга: нажимайте с двух сторон на место соединения шланга и извлеките шланг из соответствующей ответной части (рис. 7). Установка аккумулятора: аккумулятор необходимо устанавливать в соответствующую направляющую, находящуюся снизу на правой стороне системы e3000X. Вставьте аккумулятор по направляющей до щелчка (рис. 8). Снятие и зарядка аккумулятора: потянув за находящуюся на аккумуляторе рукоятку снятия крышки, полностью вытащите аккумулятор по направляющей из блока фильтрации и подачи воздуха (рис. 9). Затем подключите аккумулятор к зарядному устройству (рис. 10). Процесс зарядки отражается с помощью желтого индикатора на зарядном устройстве. После завершения зарядки этот индикатор становится зеленым и происходит переход в режим непрерывного подзарядки. Убедитесь, что напряжение в розетке соответствует указанному напряжению зарядного устройства.

ПРЕДУПРЕЖДЕНИЕ

- Литий-ионные аккумуляторы Optrel (артикул 4553.020) можно заряжать только с помощью зарядного устройства Optrel (артикул 4551.070) с использованием штекера. Использование других зарядных устройств может привести к возгоранию, что может привести к травме или смерти.
- Зарядные устройства Optrel (номер по каталогу 4551.070) предназначены только для использования внутри помещений и не должны подвергаться воздействию внешних элементов. Не заряжайте батарею при температуре ниже 32 ° F или выше 113 ° F (0 ° C до +45 ° C). Не заряжайте аккумулятор рядом с легковоспламеняющимися материалами, такими как коробки, бумага и мебель.
- Зарядка аккумулятора должна производиться в безопасном месте. Не заряжайте вне хранилища аккумулятора в непосредственной близости от сварочного аппарата.
- Не подвергайте литий-ионные элементы воздействию воды и не допускайте их намокания. Случайное воздействие аккумулятора батареи на воду допустимо при условии, что литий-ионные элементы остаются сухими.
- Не разбирайте и не модифицируйте батареи. Аккумуляторы содержат защитные устройства, которые в случае повреждения могут привести к их нагреву, взрыву или возгоранию.

ПРЕДУПРЕЖДЕНИЕ

- Не размещайте батарею под прямыми солнечными лучами, не используйте и не храните батарею рядом с источником тепла или электрической дугой.
- Несоблюдение этих предупреждений может привести к серьезным травмам, серьезным заболеваниям или смерти.

ВНИМАНИЕ

- Optrel рекомендует заряжать аккумулятор и хранить при температуре от 40 до 80 ° F (от 4 до 26,7 ° C). Зарядка при более высоких температурах приводит к уменьшению емкости и сокращает срок службы батареи.
- Соблюдайте осторожность, чтобы предотвратить проколы или разрывы ячеек.
- Если литиевая батарея повреждена, появляется вздутие, просачивается электролит или становится anomalно жарко во время зарядки, немедленно прекратите его использование и храните в негерметичном контейнере, пока он не будет переработан.
- Не оставляйте батарею подключенной к зарядному устройству более 70 часов.
- Проверьте состояние батареи: коротко нажмите кнопку включения/выключения, и светодиод начнет мигать. Проверьте состояние заряда аккумулятора на нижней шкале.

Регулировка расхода воздуха:

блок фильтрации и подачи воздуха может обеспечивать три уровня расхода воздуха: 190, 210 и 240 норм. л/мин. Чтобы изменить расход воздуха, нужно выбрать требуемое значение, последовательно переключая значения расхода путем нажатия на кнопку расхода воздуха. (рис. 11). Замените главный/предварительный фильтр в случае срабатывания сигнализатора фильтров следует заменить предварительный фильтр (рис. 12). Просим следить за периодом времени, прошедшим между срабатываниями сигнализатора фильтров. Предполагается, что этот период будет укорачиваться при каждой замене предварительного фильтра. Если вы решите, что интервал между заменами стал, на ваш взгляд, слишком коротким, то тогда рекомендуется заменить главный фильтр и предварительный фильтр (рис. 13).

Сигнализация

Сигнализация о засорении фильтров: при срабатывании сигнализации о засорении фильтров загорается красный индикатор. Без действия уровни потока III и II изменяются на один более низкий. Чтобы заменить предварительный фильтр и основной фильтр, выключите систему e3000X, удерживая кнопку включения/выключения нажатой в течение 2 секунд. После этого фильтры можно заменить. Если при сработавшей сигнализации вы не выключите систему e3000X, то она будет работать еще 15 минут до автоматического выключения.

Сигнализация аккумулятора: при срабатывании сигнализации аккумулятора загорается красный индикатор. Один раз в секунду будет звучать звуковой сигнал и при этом система может работать в течение еще около 30 минут. После окончания этого периода система e3000X автоматически выключается.

Хранение

Систему e3000X и ее принадлежности необходимо хранить в сухом месте. Она должна быть защищена от воздействия солнечного света, высоких температур, паров углеводорода и растворителей.

Техническое обслуживание

Регулярно проверяйте защитную маску в соответствии с инструкцией по эксплуатации.

Проверьте, нет ли на уплотнительной окантовке и в воздушном шланге дырок, трещин или других повреждений, а также убедитесь в правильности установки маски (см. инструкцию по эксплуатации). Не пользуйтесь системой, до тех пор, пока не будут заменены все изношенные или поврежденные детали.

Плановое обслуживание

Как обслуживать	Периодичность выполнения
Очистка, дезинфекция	После каждого использования
Осмотр	До и после каждого использования
Зарядка аккумулятора	После каждого использования
Замена уплотнения между главным фильтром и блоком фильтрации и подачи воздуха	Заменять только в случае износа или повреждения уплотнения, но не реже одного раза в год

Ortel рекомендует обслуживать устройство не реже одного раза в год компанией, сертифицированной Ortel. Если система находится на хранении, то аккумулятор нужно перезарядить через каждые 4 месяца.

Чистка и дезинфекция

Пользуясь чистой тканью, смоченной в мыльной воде, очистите блок фильтрации и подачи воздуха, воздушный шланг и защитную маску. Прочистите систему при комнатной температуре. Не используйте сильные моющие средства, растворители, спирт или чистящие средства, содержащие абразивы. Уплотнительную окантовку можно стирать (ручная стирка, не выжимать).

Технические данные (Мы оставляем за собой право вносить технические изменения)

Номинальный коэффициент защиты	Европа, РФ: Класс TH3 (TH2 с каской) Австралия: Класс P3
Блок фильтрации и подачи воздуха	Уровни расхода: Уровень 1: мин. 170 норм. л/мин Уровень 2: мин. 210 норм. л/мин Уровень 3: мин. 240 норм. л/мин
Материал	PC+ABS
Мотор	Высококачественный долговечный бесщеточный электродвигатель на шарикоподшипниках
Предохранитель	Электронный предохранитель
Аккумулятор	Напряжение / емкость: 14,8 В / 3,25 Ач Число циклов перезарядки: > 500 Время работы на уровне 1* 18 ч Время работы на уровне 2* 16 ч Время работы на уровне 3* 13 ч Время зарядки: около 5 ч Вес: 420 г / 14,815 унц. Цвет: черный * Мин. время работы с новым фильтром при комнатной температуре

Уровень шума	Макс. 70 дБ (А)
Сигнализация	Визуальная и звуковая сигнализация о пониженном электропитании, закупорке фильтров, отсутствии фильтров и низком расходе воздуха
Фильтр	1 шт. типа TH3P R SL для системы TH3P (Европа) / системы TH3P (Австралия)
Воздушный шланг	Длина: 1160 мм (растягивается до 1300 мм с защитным чехлом) Диаметр: 31 мм (внутренний) Вес: 185 г / 6,526 унц. (без защитного чехла) Цвет: черный
Вес	1195 г / 42,152 унц. (с фильтром и поясом, без аккумулятора)
Размеры	ДхШхВ: 222 x 213 x 92,6 мм
Стандарты	EN 12941:1998 / A2:2008, EAC TP TC 019/2011, AS/NZS 1716
Сертификационный орган	CE 1024

Поиск и устранение неисправностей

Блок фильтрации и подачи воздуха не включается

→ Убедитесь, что аккумулятор установлен правильно.

→ Убедитесь, что аккумулятор полностью заряжен. Сигнализация о засорении фильтров включена даже после замены исправной установкой предварительного и главного фильтров и после повторного включения.

→ Внутренняя ошибка e3000X - верните e3000X компании-поставщику. Аккумулятор разряжается слишком быстро

→ Аккумулятор неисправен - замените на новый, отправив старый в отходы в соответствии с действующими в стране правилами обращения со специальными отходами.

→ Неисправно зарядное устройство - замените

запасные части (см. обложку, II, III, IV)

1 e3000XPAPR

2 Главный фильтр TH3P RSL для системы TH3P (Европа) / системы TH3P (Австралия)

3 Предварительный фильтр

4 Искрозащита

5 Крышка фильтра

6 Стандартный аккумулятор (ионно-литиевый, 48 Втч)

7 Шлем, рассчитанный на использование PAPR

9 Шланг

10 Защитный чехол для воздушного шланга (Вспомогательное оборудование, не в комплекте)

Дополнительные принадлежности можно получить, используя главный каталог на нашем сайте.

Пояснения к маркировке (см. обложку)

A Перед использованием прочтите инструкцию по эксплуатации

B Не открывать помощью острых предметов

C Хрупкое содержимое

D Хранить этой стороной вверх

E Беречь от влаги

F Знак сертификационного органа (защита органов дыхания)

G EAC TP TC 019/2011

H Знак сертификационного органа (защита глаз)

I Содержит ионы лития

J Пластмасса, пригодна для переработки

K Рекомендуемая температура хранения: от +5 °C до +25 °C

L Недопускается удаление с объектами бытового происхождения. Утилизировать в соответствии с действующими в стране правилами обращения со специальными отходами.

Сертификат Соответствия

См. адрес интернет-сайта на последней странице.

Правовая ссылка

Настоящий документ удовлетворяет требованиям директивы ЕС 2016/425 Пункт 1.4, Приложение II.

Уполномоченный орган

Подробная информация на последней странице.

Magyar

Bevezetés

A fűvászúró eszköz olyan készülék, amely szűrt friss levegőt szállít egy hegesztő sisakhoz vagy egy, a készülékkel együtt jóváhagyott csiszoló sisakhoz (sisakhoz). Az utasítások és az erre a célra használt sisak utasításainak betartásával a felhasználó a levegőben levő por és részecskék ellen védve van. Biztonsági előírások

A berendezés használata előtt gondosan olvassa el az alábbi használati utasításokat. A helytelen használat életveszélyes lehet vagy veszélyeztetheti a végtagokat, és érvénytelenítheti az Optrelle szembeni garanciális követeléseket. Figyelmeztetések és biztonsági korlátozások

A védőpajzsot csak akkor viselje, ha csatlakoztatva van a ventilátorhoz, és a ventilátor működik. A ventilátor csak olyan légzőberendezéshez csatlakoztatva használható, amelyik megfelel az európai és ausztrál szabványoknak. Az a PAPR nem nyújt védelmet a gázokkal szemben. Munkakezdés előtt vegye fel az egységét és kapcsolja be; csak ezt követően lépjen a veszélyzónába. Ha a ventilátor nem működik megfelelően, azonnal hagyja el a veszélyzónát. Amint az akkumulátor figyelmeztetés bekapcsol (a piros LED világot és hangjelzés szolal meg), azonnal hagyja el a veszélyzónát. Tölts fel vagy cserélje ki az akkumulátort. Amint a légáramlás figyelmeztetés bekapcsol (a piros LED világot és hangjelzés szolal meg), azonnal hagyja el a veszélyzónát és cserélje ki a szűrőt.

Az oldalról vagy hátulról fújó szél befolyásolhatja a hegesztőpajzs által nyújtott védelmet. Rendkívül magas részecskeszennyezés esetén a belégzéssel nagyon alacsony nyomás jöhet létre. Ez csökkentheti a védelmet. Ilyen esetben mindaddig ne vegye le a pajzsot és a ventilátort se kapcsolja ki, amíg a veszélyzónát el nem hagyta. A pajzs leveletokek tegyen meg minden óvintézkedést, hogy megakadályozza a külsején esetleg felgyülemlett por vagy szennyezett anyag belégzését. A ventilátort vagy az akkumulátort soha ne mártsa vízbe; ezzel károsodhat az egység. Ügyeljen rá, hogy tisztítás közben ne juthasson víz az egységbe. A használt szűrők nem tisztíthatók és nem újrahasonlíthatók. A szűrők sűrített levegővel vagy vízzel történő tisztítása tönkrereszi a szűrőt. Soha ne zárja rövidre az akkumulátort; Ez teljes meghibásodást okozhat.

Az akkumulátoros légzésvédelmi berendezés (PAPR) nem használható,

- gyúlékony vagy robbanásveszélyes környezetben,
- ha a belélegzett levegőben kevés az oxigén (Európa: <17 %, Ausztrália: <19%), vagy egyéb mérgező anyagok koncentrációja olyan magas, hogy a védettségi fok a TH3P besorolást meghaladja (Európa és Ausztrália),
- a hőmérséklet -5 °C alatt vagy +55 °C fölött van,
- olyan környezetben, ahol életveszély vagy a végtagok veszélyeztetése áll fenn. FIGYELEM

• A munkáltatója (vagy ha nem rendelkezik munkáltatóval) felelős annak megállapításáért, hogy ez a légzőkészülék alkalmas-e a felhasználó alkalmazására.

• az Optrel nem tudja megjósolni, hogy mi lesz ez a légzőkészülék minden lehetséges környezetben. Az anyagok kémiaiilag megtámadhatók, ha rossz környezetben vannak kitéve, és túlzott korróziót vagy más károsodást okozhatnak. A gázok, folyadékok vagy részecskék áthatolása vagy áthatolása az anyagokon túlzottan nagy lehet. A szélsőséges hőmérsékletek termikus bomlást okozhatnak. Ezek mindegyike, vagy ezek kombinációja olyan körülményeket hozhat létre, amelyekben ez az Optrel légzőkészülék veszélyes lenne.

• Mielőtt a légzőkészülék viselésébe közbe lépne, meg kell határozni, hogy a környezet nem biztonságos-e a berendezés. E vizsgálat eredményeit jól dokumentálni kell. Kérjen segítséget egy tanúsított biztonsági szakembertől vagy ipari higiénikusától. NE HASZNÁLJA ezt a berendezést, ha a felhasználó bármilyen módon veszélyeztetné a készülékben lévő anyagok környezeti károsodását.

• Minden olyan személyt, aki ezt az Optrel légzőkészüléket használja, tisztában kell lennie a korlátozásokkal. Nem vagyunk felelősek az anyagi károkért, a személyi sérülésért vagy a halálért, amelyekben a környezeti expozíció hozzájárul.

• Ne használja ezt a légzőkészüléket, ha bármi jön a sisak facealé és az arcod között (pl. Haj, sáska, fejfedő stb.). Ez az állapot megakadályozza a jó sisaktömítést és lehetővé teszi a szennyező anyagok szivárgását a sisakba.

• Ne használja ezt a légzőkészüléket olyan környezetben, ahol a szennyező anyagok koncentrációja ismeretlen vagy azonnal veszélyes az életre vagy az

egészségre (IDLH). Az IDLH-atmoszféra a következők:

a. Azok, amelyeket a viselő rövid ideig nem tudott lélegezni.

b. Azok, amelyekből a viselő nem tudott légzőkészülék nélkül menekülni.

c. Azok, amelyeknek azonnali vagy késleltetett káros hatása van az egészségre.

• SOHA ne használja ezt a légzőkészüléket Optrel HE szűrő nélkül, P / N 4088.100.

• Ne használja ezt a légzőkészüléket, ha a környezeti feltételek okozhatják a légzőkészülék kiszorítását vagy elcsúszását.

• Ez a légzőkészülék nem véd a gázok vagy gőzök ellen. Csak szemcsés szennyeződések elleni védelemre szolgál.

• Azonnal térjen vissza egy nem szennyezett területre, ha:

a. A szennyeződések ízet vagy szagát érzi, vagy ha a szemét, orrát vagy tornyát irritálja.

b. A lélegzés nehézkes lesz.

c. A levegőt, amit lélegez, kényelmetlenül meleg lesz.

d. Hányingert vagy szédülést érez.

e. A légáramlás csökkenését vagy csökkenését észleli.

f. A sisak mozog, csúszik vagy szivárog.

g. Fáradtnak érzi magát.

• Ez a légzőkészülék nem védi a test kitett területeit. Néhány szennyező anyag közvetlenül a bőrön keresztül felszívódhat, míg mások irritálhatják a kitett területeket.

• Ez a légzőkészülék nem nyújt védelmet a káros zaj ellen. Mindig viseljen megfelelő fülvédőt.

• Ez a légzőkészülék nem szállít oxigént. Ne használja a légzőkészüléket

19% -nál kevesebb oxigéntartalmú atmoszféra.

• Ezt a légzőkészüléket nem szabad víz alatt, füstöléshez, belső szerkezeti túlzólasthoz, csiszolószórnó művelethez vagy olyan területeken használni, ahol a magas hő- vagy lángtartóság tartósan érintkezhet a légzőkészülékkel.

• Az Optrel légzőkészülékeket, a tartozékokat és a hozzájuk tartozó berendezéseket nem szabad olyan légkörben használni, amely szennyezőanyag-koncentrációkat tartalmazhat az alsó robbanási szint felett (LEL).

• Ez a légzőkészülék csökkenti, de nem szünteti meg a szennyező anyagok belégzését. Bizonyos érzékeny személyek egészségproblémákat tapasztalhatnak, ha még kevés mennyiségű szennyező anyagot érintenek. Ez a légzőkészülék nem fogja megakadályozni az egyének egészségügyi problémáit.

• Az érzékenyített személyek komoly reakciókat okozhatnak a vegyi anyagoknak az elfogadott egészségügyi szintek alatt, például az OSHA megengedett expozíciós határértéke (PEL), az ACGIH küszöbérték (TLV) vagy a NIOSH javasolt expozíciós határérték (REL). NE használja ezt a légzőkészüléket, ha az előző expozíciót érzékenyítette, vagy úgy gondolja, hogy érzékeny vagy allergiás bármely vegyi anyagra (pl. Izocianatokra, latexre stb.). Amíg orvosától megszűnik.

• Mindig olvassa el és kövesse az anyagbiztonsági adatlapon található utasításokat a munkaterületen található vegyi anyagokról.

• Ne alkalmazza, ha előzetesen bőrbetegsége van (pl. Folliculitus vagy vitiligo), amíg orvosától megszűnik.

• Ezt a légzőkészüléket az Optrel utasításai szerint kell viselni és használni. Ne hagyja el a légzőkészülék bármely részét, és ne hagyja ki az utasítások kötelező lépését.

• A légzőkészülék semmilyen körülmény között nem biztosít teljes védelmet. Rendkívül óvatosan kell eljárni a vészhelyzet esetén.

• A felhasználóknak ezt a légzőkészüléket csak az Optrel utasításainak megfelelően kell tisztítani és karbantartani. Az Optrel által nem kínált tartozékok romolhatnak a teljesítményt, és érvénytelenítik a tanúsítványt.

• Ha bőrirritációt vagy elszíneződést tapasztal, hagyja abba a felhasználást.

• Ez a termék nem megfelelő védelmet biztosít, ha nem megfelelően használják, mivel a szennyeződések a sisak belsejében összegyűlhetnek és belélegezhetőek a gázalarc elhelyezésekor.

• Csak képzett szakemberek számára használható.

• Ne használja ezt a légzőkészüléket, ha szennyezett környezetben van kitéve, mivel a szennyeződések a sisak belsejében összegyűlhetnek és belélegezhetőek a gázalarc elhelyezésekor.

• A rutinszerűen használt légzőkészülék minden használat előtt és után ellenőrizni kell.

• AZ ÖSSZES FIGYELMEZTETÉSEK MEGHATÁROZÁSÁNAK HÁTTA ERŐS SZEMÉLYES KÁROK, SÚLYOS TULAJDONSAGOK VAGY KÁRBA. Ha az e3000X rendszer adott alkalmazásával, használatával vagy

megfelelőségével kapcsolatban kérdése merül fel, lépjen kapcsolatba az Optrel értékesítési osztályával.

Garancia és felelősség

Az Optrel a vásárlás dátumától számított 24 hónapon belül felfemerülő anyaghibák vagy gyártási hibák esetén megjavítja, illetve szükség szerint kicseréli a terméket, feltéve, hogy a terméket a használati utasítások betartásával használták.

A garancia érvényét veszíti, ha a sorozatszámot megváltoztatták, eltávolították, vagy illegálisan módosították, vagy a terméket szándékosan megkárosították, nem megfelelően használták, felnyitották vagy módosították. A garancia érvényét veszíti akkor is, ha a terméket nem megfelelően használták, nem eredeti cseralkatrészeket használtak vagy nem megfelelően szerelvényezték.

A garancia csak a hibás alkatrészek javítására vagy cseréjére terjed ki. Az Optrel semmilyen körülmények között nem nyújt garanciát általános meghibásodásra vagy következménykárokra.

Várható élettartam

A e3000X nincs lejárati dátuma. A termék mindaddig használható, amíg nem lépnek fel nyilvánvaló vagy kívülről nem látható sérülések vagy működési zavarok.

Alkalmazási terület

Az e3000X a por és részecskék elleni védelmet biztosító akkumulátoros légszívóegység (PAPR). A rendszer TH3P tanúsítvánnyal rendelkezik az EN 12941: 1998 EU szabvány és TH3P tanúsítvánnyal a következő ausztrál szabványnak megfelelően: AS/NZS 1716: 2012.

Az e3000X támogatja a szellőzési folyamatot, segíti a légzést, ezáltal pedig csökkenti a fáradtságot. A légáramlást szabályozó elektronikus rendszer felügyeli a ventilátort, hogy biztosítsa legyen a legalább 170 L/min* állandó légáramlás.

Feltöltött akkumulátorral az e3000X effektív üzemideje az akkumulátor típusától és a szűrő állapotától függ (lásd a műszaki adattáblázatot).

Használat előtti átvizsgálás és próba előtt

• Óvatosan távolítsa el a különböző részek csomagolását.

• Az első használat előtt teljesen töltse fel az akkumulátort.
Ellenőrzési táblázat:

Ellenőrizze, hogy a készülék a szállítási terjedelemben megfelelően teljes-e, és semmi nem sérült-e meg. Ha bármilyen sérülést észlel vagy hiányzik egy része, azonnal forduljon az értékesítési osztályhoz. Soha ne használjon sérült vagy hiányos egységet. Kérjük, nézze meg az alábbi összetevőket:

ÖSSZETEVŐ	KERES
Akkumulátor	1. Csatlakozó repedt vagy törött. 2. Laza akkumulátor burkolat vagy sérült csatlakozó.
Tömlő	1. Lyukak, vágások vagy kopások. 2. Sérült spirálok.
Öv / váll kábelköteg	1. Vágások, foltok, könnyek vagy törött varrás. 2. Sérült csat. 3. Laza hardver.

Az e600 facealra vonatkozó összes információért kérjük, használja az arc tömítés kézikönyvét.

Használat előtti átvizsgálás és próba

Minden használat előtt gondoskodjon róla, hogy az e3000X hibátlan állapotban legyen és a következők szerint járjon el:

1. Ellenőrizze, hogy a szikravédó, a főszűrő és az előszűrő megfelelően vannak-e felszerelve, és hogy a ház reteszelése megfelelően van-e rögzítve (a ház fedelének kattinással kell zárodni) (1. ábra). Megjegyzés: Orvosi területen történő alkalmazás esetén a szikravédelem és az előszűrők higiéniai okokból kihagyhatók.
2. Ellenőrizze a levegőtömlő és a levegőcsatlakozó épségét (lyukak, szakadások, vágások). A tömlőt az egység megfelelő részére nyomva csatlakoztassa a pajzsra a levegőtömlőt, amíg egy kattinó hang nem jelzi, hogy laza lehúzással már nem lehet levenni. (2. ábra).
3. Az on/off gomb 0,5 másodpercig történő megnyomásával kapcsolja be az e3000X-t. (3. ábra). Amintegy 3 másodpercig tartó beindulás közben mind az 5 LED (3 zöld LED az áramlás szint kijelzéséhez és 2 piros LED, melyek közül az egyik az akkumulátor, a másik pedig a szűrő állapotjelzője – 4. ábra) világitani kezd és hangjelzés (3 sipolás) hallható. Ezt követően az e3000X használatra kész.
4. A beindulás alatt az e3000X még önellenőrzést is végez, hogy biztosítsa legyen a 170 L/min fölötti légszállítás. Ha a piros szűrő LED-je a fent említett 3 másodperc után kialszik, a 170 L/min fölötti légszállítás biztosított. A beépített

áramlásérzékelővel az e3000X a működés teljes időszaka alatt szabályozza és folyamatosan a megfelelő 170 L/min fölött tartja a légáramlást.

5. Amint arról szó esett, az e3000X lemerülő akkumulátor és hiányzó, eltömődött vagy nem megfelelően behelyezett szűrő esetén fény- és hangjelzést ad (5. ábra). Figyelmeztető jelzés esetén a veszélyzónát azonnal el kell hagyni!

Az alacsony légáramlás/szűrőeltömődés riasztást a következő alacsony légáramlási állapottal ellenőrizze:

A bekapcsolt e3000X egységről vegye le a tömlőt a pajzsról és tiszta kezének a tenyerét szorosan nyomja a tömlő végére; a motor automatikusan felpörög, és igyekszik megnövelni az alacsony légáramlást. Továbbra is nyomja a tenyerét a tömlő végére, hogy szorosan tömítse. Ha szoros a tömítés, az egység hangjelzéssel figyelmeztet, és világitani kezd a szűrő piros LED-je.

6. A riasztás leállításához kb. 3 másodpercig nyomja le az on/off gombot, majd csatlakoztassa a tömlőt a pajzsrá.
7. Ügyeljen a védőpajzs épségére, vegye fel és szíjazza a csipőjére a PAPR-t.
8. Iradtsa be a ventilátort és ügyeljen rá, hogy a védőpajzsban normálisan keringjen a levegő.

A PAPR használat előtt, bármilyen sérülés esetén cserélje ki a hibás alkatrészeket.

A használat módja

Az örméret beállítás: Tegye fel az övet (6. ábra), majd állítsa be úgy a méretét, hogy a ventilátor egység kényelmesen üljön a csipőjén.

A levegőtömlő levétele: Mindkét oldalon nyomja be a tömlőcsatlakozót és húzza ki a megfelelő alkatrészből (7. ábra).

Az akkumulátor behelyezése: Az akkumulátort be kell helyezni az e3000X jobb alsó oldalán a saját csúszósínébe. Kattanásig csúsztassa be az akkumulátort (8. ábra).

Az akkumulátor eltávolítása és töltése: Húzza hátra a fedél eltávolító fogantyút az akkumulátoron, és húzza le a csúszósínról, amíg teljesen le nem jön a ventilátor egységről (9. ábra). Ezután csatlakoztassa az akkumulátort a töltőre (10. ábra). A töltést a töltőn világitó sárga LED jelzi. A töltés befejezése után a LED színe zöldre vált és bekapcsol a feltöltési mód. Ellenőrizze, hogy az aljzat feszültsége megfelel-e a töltő meghatározott feszültségének.

FIGYELEM

- Optrel P/N 4553.020 A lítium-ion akkumulátorokat csak az USA-csatlakozóval ellátott Optrel töltővel (P / N 4551.070) lehet töltetni. Más töltők használata robbanást okozhat, ami sérülést vagy halált okozhat.
- az Optrel töltők (P / N 4551.070) csak beltéri használatra szolgálnak, és nem szabadnak kitenni kültéri elemeknek. Ne töltse az akkumulátort 32 ° F vagy 0 ° C - 45 ° C fölé. Ne töltse az akkumulátort gyúlékony anyagok, például dobozok, papír és bútorok közelében.
- Az akkumulátor töltését biztonságos, nem veszélyes helyen kell elvégezni. Ne töltse fel és ne tárolja az akkumulátort a hegesztőberendezés közelében.
- Ne tegye ki a lítium-ion sejteket vízbe, és ne engedje, hogy nedvesek legyenek. Az akkumulátor viznek való véletlen expozíciója elfogadható, feltéve, hogy a lítiumion-sejtek száraznak maradnak.
- Ne szerelje szét és ne módosítsa az elemeket. Az elemek biztonsági és védőcsökököt tartalmaznak, amelyek megsérülése esetén az akkumulátorok hőt termelhetnek, felrobbanhatnak vagy meggyulladhatnak.

FIGYELEM

- Ne helyezze az akkumulátort közvetlen napsugárzásba, vagy ne használja vagy tárolja az akkumulátort hőforrás vagy elektromos új közelében.
- Ezen figyelmeztetések figyelmen kívül hagyása súlyos személyi sérülést, súlyos betegséget vagy halált okozhat.

VIGYÁZAT

- Optrel azt javasolja, hogy az akkumulátort 40 ° C és 80 ° F közötti hőmérsékleten töltse fel és tárolja. A magasabb hőmérsékleten történő töltés csökkenti a kapacitást és csökkentheti az akkumulátor élettartamát.
- Óvatosan kell eljárni, hogy megakadályozza a sejtek szúrását vagy repedését.
- Ha a lítium akkumulátor károsodott, úgy tűnik, megduzzadt, szivárog az elektromos lyék, vagy feltöltődés közben rendellenesen forróvá válik, azonnal abba kell hagynia a használatát, és tárolja tűzálló tartályban, amíg újrahasznosítható.
- Ne hagyja az akkumulátort a töltőre csatlakoztatva több mint 70 órán keresztül. Ellenőrizze az akkumulátor állapotát: Nyomja meg röviden a Be / Ki gombot, és a LED villog. Ellenőrizze az akkumulátor töltöttségi állapotát az alacsonyabb skálán.

A légáram beállítása: A ventilátor három fokozatra állítható: 170/210/240 L/min. A fokozat változtatásához a légáramlás gomb megnyomásával lépegetően végig a fokozatokon, amíg el nem éri a kívánt légteljesítményt. (11. ábra)
Fő szűrő és előszűrő cseréje: Szűrőriasztás esetén cserélje ki az előszűrőt (12. ábra). Figyelje az egyes szűrőriasztások között eltelt időt. Minden előszűrő cserét követően ez az időszak várhatóan egyre rövidebb lesz. Ha úgy érzi, hogy a csereidők túl rövidvé válnak, melyet a felhasználónak kell mérlegelnie, akkor javasolt a fő szűrő és az előszűrő cseréje. (13. ábra)

Riasztási funkció

Szűrő eltömődés riasztás: Ha a szűrő eltömődés riasztás bekapcsol, a piros LED világitani kezd. Akció nélkül a III. És a II. Áramlási szint egy alacsonyabbra változik. Az előszűrő és a fő szűrő cseréjéhez 2 másodpercre nyomja le az on/off gombot, hogy kikapcsoljon az e3000X. Ez után már cserélhetők a szűrők. Ha riasztás közben nem kapcsolja ki az e3000X-t, az automatikus kikapcsolás előtt még 15 percig fog működni.

Akkumulátor riasztás: Ha az akkumulátor riasztás bekapcsol, a piros LED világitani kezd. A hangjelzés másodpercenként sípol, az egység pedig még mintegy 30 percig üzemképes marad. Ezt követően az e3000X kikapcsol.

Tárolás

Az e3000X rendszert és tartozékait száraz helyen kell tárolni. Védje a napfénytől, magas hőmérséklettől, szénhidrogénektől és oldószerek gőzétől.

Karbantartás

A védőpajzsot rendszeresen ellenőrizze a használati utasítás szerint. Ellenőrizze, a csúszógyűrűs tömítést és a levegőfúvókát, nincsenek-e rajta lyukak, repedések vagy más sérülések, és ellenőrizze, megfelelően helyezkednek-e el a pajzsok (lásd használati utasítás). Ne használja a rendszert, amíg ki nem cserélték az összes kopott vagy sérült alkatrészt.

Karbantartási terv	
Teendő	Használatban lévő rendszer
Tisztítás, fertőtlenítés	Minden használat után
Szemrevételezéses ellenőrzés	Mindenhasználat előtt és után
Akkumulátortöltés	Minden használat után
A fő szűrő és a ventilátor egység közötti tömítés cseréje	Csak kopott vagy sérült tömítés esetén cserélje ki, de legalább évente egyszer

Az Optrel azt javasolja, hogy az eszközt évente legalább egyszer egy Optrel által minősített cég végezze.

Ha az egység raktárban áll, az akkumulátort 4 havonta fel kell tölteni.

Tisztítás és fertőtlenítés

Szappanos vízzel nedvesített tiszta ronggyal tisztítsa le a ventilátort, a levegőtömítőt és a védőpajzsot. Szobahőmérsékleten hagyja megszáradni az egységet. Ne használjon erős mosószereket, oldószereket, alkoholt vagy koplató anyagokat tartalmazó tisztítószereket. A csúszógyűrűs tömítés mosható (kézzel mossa, ne forgassa).

Műszaki adatok

(A műszaki változtatások jogát fenntartjuk)

Névleges védettségi tényező	Európa: TH3P besorolás (TH2 hard hat) Ausztrália: P3 besorolás
Ventilátor egység	Légszállítás: 1. fokozat: min. 170 L/min * 2. fokozat: min. 210 L/min * 3. fokozat: min. 240 L/min *
Anyag	PC+ABS
Ventilátor	Csúcsminőségű golyóscsapágyas hosszú élettartamú kefe nélküli motor
Biztosíték	Elektronikus biztosíték
Akkumulátor	Típus: Li-Ion tölthető Feszültség / kapacitás: 14,8 V / 3,25 Ah Töltési ciklus: > 500 Üzemidő, 1 szint* 18 óra Üzemidő, 2 szint* 16 óra Üzemidő, 3 szint* 13 óra Töltési idő: kb. 5 óra Tömeg: 420 g / 14,815 oz Szín: fekete *min. üzemidő új szűrővel szobahőmérsékleten
Zajszint	Max. 70 dB(A)

Figyelmeztető jelzések	optikai és hangos riasztás alacsony töltés, eltömődött szűrő, szűrőhiány és alacsony légszállítás esetén
Szűrő	1 x TH3P R SL típus TH3P rendszerhez (Európa) / TH3P rendszerhez (Ausztrália)
Levegőtömítő	Hossz: 1160 mm (1300 mm-ig nyújtható védőhüvellyel) Átmérő: 31 mm (belső) Tömeg: 185 g / 6,526 oz (védőhüvely nélkül) Szín: fekete
Tömeg	1195 g / 42,152 oz (szűrővel és övvel, akkumulátor nélkül)
Méretetek	HxSxM: 222 x 213 x 92,6 mm
Szabványok	EN 12941:1998 /A2:2008, EAC TP TC 019/2011, AS/NZS 1716
Kijelölt szervezet	CE 1024

Hibaelhárítás

A ventilátor nem indul

→ Győződjön meg róla, hogy az akkumulátor megfelelően van-e behelyezve.

→ Győződjön meg róla, hogy az akkumulátor teljesen fel van-e töltve.

A szűrő figyelmeztetés akkor is működik, ha a fő szűrő és az előszűrő ki van cserélve és megfelelően van behelyezve

→ Belső e3000X hiba

→ Küldje vissza az e3000X-t a legközelebbi kereskedőhöz

Az akkumulátor üzemideje nagyon lerövidül

→ Hibás akkumulátor – cserélje ki, majd a használt akkumulátort ártalmatlanítsa a speciális hulladékokra vonatkozó országos előírásoknak megfelelően.

→ Hibás töltőegység – cserélje ki

Cserealkatrészek (lásd borító I, II, III, IV)

1 e3000X PAPR

2 A fő szűrő TH3P R SL szűrő TH3P rendszerhez (Európa) / TH3P rendszerhez (Ausztrália)

3 Előszűrő

4 Szikravédő

5 Szűrőfedél

6 Standard akkumulátor (Li-Ion 48 Wh)

7 PAPR-kompatibilis hegesztőpajzs

9 Tömlő

10 Védőhüvely levegőtömítőhöz (Tartozék, nem szerepel)

További tartozékok elérhetők a főkatálogosból vagy honlapunkon.

Jelmagyarázat (lásd borító)

A Használat előtt olvassa el a használati utasítást

B A kinyitáshoz ne használjon éles tárgyakat

C Törékeny tartalom

D Ezzel az oldalával felfelé fordíja

E Óvja a nyirkosságtól

F Kijelölt szervezet jelölése (légzésvédelem)

G Mark EAC (Oroszország)

H Kijelölt szervezet jelölése (szemvédelem)

I Litium-iont tartalmaz

J Műanyag, újrahasznosítható

K Ajánlott tárolási hőmérséklet: +5 °C és +25 °C között

L Tilos normál háztartási hulladékkal kidobni. A speciális hulladékokra vonatkozó nemzeti előírások szerint ártalmatlanítsa.

Megfelelőségi nyilatkozat

Lásd az internetcímet az utolsó oldalon.

Jogi információk

Ez a dokumentum megfelel az EU 2016/425 rendelet követelményeinek a II. melléklet 1.4.

Lásd az internetcímet az utolsó oldalon.

Bejelentett szervezet

Részletes információkért lásd az utolsó oldalt.

TÜRKÇE

Giriş

Bir üfleçli filtre cihazı, bu cihazla bağlantılı olarak onaylanmış bir kaynak maskına veya bir taslama maskına (güvenlik kaskı) filtrelenmiş temiz hava sağlamak için tasarlanmış bir cihazdır. Bu talimatlar ve bu amaçla kullanılan güvenlik kaskının talimatlarını izleyerek, kullanıcının soluduğu havadaki toz ve parçacıklara karşı korunur.

Emniyet talimatları

Cihazı kullanmadan önce bu işletme talimatlarını başından sonuna kadar dikkatlice okuyunuz. Hatalı kullanımı ölüm ve yaralanmalara yol açabilir ve Optrel'e karşı yönetilebilecek garanti kaynaklı tazminat taleplerini geçersiz kılar.

Uyarılar ve emniyetle ilgili sınırlamalar

Koruyucu miğferi, yalnızca üflece bağlanmışsa ve üfleç çalışıyorsa takın. Üfleç ise yalnızca Avrupa ve Avustralya standartlarının gereklerini karşılayan solunum cihazlarıyla birlikte kullanılmalıdır. Bu PAPER (güç kaynaklı hava temizleyici özellikli solunum cihazı) gaz halindeki maddelere karşı koruma sağlamaz. İşe başlamadan önce cihazı takın ve çalıştırın; tehlikeli bölgeye ancak bundan sonra emniyetle girilebilir. Üfleç arıza yapışa tehlikeli bölgeyi hemen terk edin. Batarya uyarısı devreye girmez (kırmızı LED lamba yanar ve sesli bir sinyal duyulur) tehlikeli bölgeyi hemen terk etmeniz şarttır. Bataryayı yeniden doldurun ya da yenisiyle değiştirin. Hava akış uyarısı devreye girer girmez (kırmızı LED lamba yanar ve sesli bir sinyal duyulur) tehlikeli bölgeyi hemen terk edin ve filtreyi değiştirin.

Yandan ya da arkadan gelen kuvvetli bir rüzgar miğferin sağladığı korumanın derecesini etkileyebilir. Son derece yüksek çevresel parçacık kirlenmesi söz konusu olduğu durumlarda, nefes alındığında miğferin içinde çok düşük bir basınç oluşabilir. Bu da sağlanan korumayı azaltabilir. Bu gibi durumlarda, tehlikeli bölgeden çıkana kadar miğferi çıkarmayın ve üfleci kapatmayın. Miğferi çıkarırken, miğferin dış kısmında birikmiş olabilecek toz ya da kirlenmiş maddeleri soluyarak iğnize çukmemek için gereken tüm tedbirleri alın. Üfleci ya da bataryayı kesinlikle suya sokmayın; aksi halde cihaz zarar görebilir. Temizlerken cihaza su girmedikten emin olun. Kullanılmış filtreler temizlenemez ve geri dönüşümlü değildir. Basınçlı hava ya da su kullanılarak filtreleri temizlemeye kalkışmak, filtrenin zarar görmesine yol açar. Pile kesinlikle kısa devre yaptırmayın. Bu ölümcül sonuçları olan bir arızaya yol açabilir.

Solunum cihazı (PAPR), aşağıda sıralanan durumlarda kullanılmamaz:

- yarıncı ya da patlayıcı atmosfere sahip bir ortamda,
- solunan havada oksijen eksikliği olması durumunda (Avrupa: < %17, Avustralya: < %19) ya da toksinlerin konsantrasyonunun, TH3P'den daha yüksek bir koruma sınıfını zorunlu kılaacak derecede yüksek olduğu ortamlarda (Avrupa ve Avustralya),
- -5 °C'nin altında veya +55 °C'nin üstünde sıcaklıklarda,
- ölüm ve yaralanma riskinin gerçek ve yakın olduğu ortamlarda.

UYARI

- İşvereniniz (veya siz bir işvereniniz yoksa), bu solunum cihazının kullanıcının başvurusu için uygun olduğunu belirlemekle sorumludur.
- Optrel, bu solunum cihazına her potansiyel ortamda ne olacağı tahmin edemez. Yanlış ortama maruz kalırsa malzemeler kimyasal olarak saldıraya uğrayabilir ve aşırı korozyon veya başka hasar biçimleri sergileyebilir. Malzemelerin içinden gazların, sıvıların veya parçacıkların nüfuzu veya nüfuzu aşırı olabilir. Aşırı sıcaklık, termal bozulmaya neden olabilir. Bu şeylerin her biri veya bunların bir kombinasyonu, bu Optrel solunum cihazının kullanıcı tehlikeli olabileceği koşullar yaratabilir.
- Bu solunum maskesini kullanırken tehlikeli bir ortama girmeden önce, çevrenin ekipmanı güvensiz hale getirip getiremeyeceğini belirlemek için güvenli, bilimsel testler yapmanız gerekir. Bu testin sonuçları iyi belgelenmelidir. Sertifikalı bir güvenlik uzmanı veya endüstriyel hijyen uzmanının yardımını isteyin. Kullanıcı cihazdaki malzemelerin çevresel olarak indirgenmesiyle herhangi bir şekilde tehlikeye girerse bu ekipmanı KULLANMAYIN.
- Bu Optrel solunum cihazını kullanılan tüm kişiler, sınırlamalarından haberdar edilmelidir. Çevreye maruz kalmanın katkıda bulunan bir faktör olduğu maddi hasar, kişisel yaralanma veya ölümden sorumlu değildir.
- Kask yüz perdesi ile yüzünüz arasında (örneğin, saç, bandana, baş örtüsü vb.) herhangi bir şey olursa, bu solunum aygıtını kullanmayın. Bu durum iyi bir kask sızdırmazlığını önler ve kirlenmiş kaskın içine sızmasına izin verir.
- Bu solunum cihazının, kirlenmiş madde konsantrasyonlarının bilinmediği veya

derhal yaşam veya sağlık için tehlikeli olduğu ortamlarda kullanılmayın (IDLH). IDLH atmosferleri şöyle tanımlanır:

- a. Kullanıcının kısa süre nefes alamadığı kişiler.
 - b. Kullanıcının solunum cihazı yardımcı olmadan kaçamadığı kişiler.
 - c. Sağlık üzerinde hemen veya gecikmeli olumsuz etkisi olanlar.
- Bu solunum cihazını ASLA bir Optrel HE filtresi olmadan kullanmayın, P / N 4088.100.
 - Bu solunum cihazını, çevresel koşulların solunum kaskının yerinden çıkmasına veya kaymasına neden olabileceği yerlerde kullanmayın.
 - Bu solunum cihazı gaz veya buharlara karşı koruma sağlamaz. Sadece partikül kirlenmelere karşı koruma sağlar.
 - Aşağıdaki durumlarda, derhal kirlenmemiş bir bölgeye dönün:
 - a. Kirleneticilerin veya kokların veya gözleriniz, burnunuz veya boğazınız tahriş olursa.
 - b. Nefes almak zorlaşır.
 - c. Soluduğunuz hava, rahatsız edici bir şekilde ısınır.
 - d. Bulunuy veya baş dönmesi hissedersiniz.
 - e. Hava akışında bir kayıp veya azalma olduğunu fark ederseniz.
 - f. Kask hareket eder, kayar veya sızıntı yapar.
 - g. Yorgun hissediyorsanız.
 - Bu solunum cihazı vücudun maruz kalan alanlarını korumaz. Bazı kirlenici maddeler doğrudan cilt yoluyla emilirken, diğerleri maruz kalan bölgeleri tahriş edebilir.
 - Bu solunum cihazı zararlı gürültülere karşı koruma sağlamaz. Daima uygun kulak koruması takın.
 - Bu solunum cihazı oksijen vermez. Solunum cihazını kullanmayın. hacmen% 19'ten az oksijen içeren atmosferler.
 - Bu solunum cihazı su altında, fümigasyon, iç yapısal yangınla mücadele, aşındırıcı patlatma işlemleri için veya uzun süre yüksek ısı veya alev sürerlerinin solunum cihazıyla temas edebileceği alanlarda kullanılmamalıdır.
 - Optrel respiratörleri, aksesuarları ve ilgili ekipmanlar, düşük patlayıcı seviyesinin (LEL) üzerindeki kirlenici konsantrasyonları içeren ortamlarda kullanılmamalıdır.
 - Bu solunum cihazı, kirleneticilerin solunmasını azaltacak, ancak ortadan kaldıracak değildir. Bazı hassas bireyler, çok az miktarda kirlenici maddeye maruz kaldıklarında sağlık sorunları yaşayabilirler. Bu solunum cihazı, bu kişilerin sağlık sorunlarını önlemeyecektir.
 - Hassaslaştırılmış kişiler, OSHA İzin Verilen Maruz Kalma Limiti (PEL), ACGIH Eşik Limit Değeri (TLV) veya NIOSH Tavsiye Edilen Maruz Kalma Limitleri (REL) gibi kabul edilmiş sağlık seviyelerinin altındaki seviyelerde kimyasallara şiddetli reaksiyon gösterebilir. Daha önce maruz kalmaya karşı duyarlıysanız veya herhangi bir kimyasal maddeye (örn., İzosiyanatlar, lateks, vb.) Tibbi bir dokordan izin alana kadar hassas veya alerjik olabileceğinizi düşünüyorsanız, bu solunum cihazını KULLANMAYIN.
 - Çalışma alanında bulunan kimyasallar için Malzeme Güvenlik Bilgi Formunda listelenen talimatları daima okuyun ve uygulayın.
 - Mevcut bir cilt rahatsızlığınız varsa (örneğin, folikülit veya vitiligo) tıp doktorundan izin almadan, kullanmayın.
 - Bu solunum cihazı, Optrel'in talimatlarında belirtildiği gibi giyilmeli ve kullanılmalıdır. Solunum cihazının herhangi bir bölümünü bırakmayın veya talimatların zorunlu bir adımı bırakmayın.
 - Hiçbir solunum cihazı her koşuldan tam koruma sağlayamaz. Acil durumlar için çok dikkatli olun.
 - Kullanıcılar bu maskeyi yalnızca Optrel'in talimatlarına uygun olarak temizlemeli ve bakımlı yapmalıdır. Optrel tarafından sunulmayan aksesuarlar performans düşürebilir ve sertifikasını geçersiz kılar.
 - Cilt tahrişi veya renk bozulması yaşarsanız, kullanmayı bırakın.
 - Bu ürün, yanlış kullanıldığında ciddi kişisel yaralanmalara, ciddi hastalıklara veya ölüme neden olabilecek şekilde yeterli korumadan daha az sağlayabilir.
 - Sadece eğitimli kalifiye personel tarafından kullanılmalıdır.
 - Kirlenici maddeler kaskın içinde toplanabileceği ve gaz maskesi takılı olduğunda solunabileceği için, kirli bir ortamda bırakılmışsa bu solunum cihazını kullanmayın.
 - Rutin olarak kullanılan solunum maskeleri, her kullanımdan önce ve sonra denetlenmelidir.
 - TÜM UYARILAR GÖNDERMEME ZORUNLU CİDDİ KİŞİSEL YARALANMA, CİDDİ HASTALIĞI VEYA ÖLÜMÜNDE SONUCU OLABİLİR. e3000X sisteminin özel uygulamaları, kullanımı ya da uygunluğu konusunda herhangi bir sorunuz olması durumunda Optrel satış bölümüyle temas geçin.

Garanti ve yükümlülük şartları

Ürünün satın alındığı tarihten itibaren 24 ay içinde üründe malzeme ya da imalat kaynaklı hatalar ortaya çıkması durumunda, ürünün, işletme talimatlarında belirtildiği şekilde ve izin verilen kullanım şekline uygun olarak kullanılmasıyla birlikte, Opsret ürününü onaracak ya da gerekli olduğu takdirde değiştirecektir.

Ürünün seri numarasında tahriyat yapılması, numaraların çıkarılması ya da okunmaz hale gelmiş olması ya da ürünün kasıtlı olarak hasara uğratılmış, yanlış kullanılması, açılmış ya da datadiledilmesi olması durumlarında garanti geçersiz olacaktır. Garanti, ürünün yanlış kullanılması, orijinal olmayan yedek parçalar kullanılması ya da ürünün servisinin uygun biçimde yapılmaması sonucunda da geçersiz olacaktır.

Garanti yalnızca arızalı parçaların onarımını ya da değiştirilmesini kapsamaktadır. Opsret hiçbir şekilde, genel arızalar ya da bunların sonucunda meydana gelen hasarları için herhangi bir garanti taahhüdünde bulunmamaktadır.

Beklenen ömür

e3000X kullanma tarihi yoktur. Ürün, görünür ve görünmez hasar, veya arıza olmadığı sürece kullanılabilir.

Uygulama alanı

e3000X toz ve parçacıklara karşı koruma sağlayan bir "güç kaynaklı hava temizleyici özellikli solumun cihazıdır" (PAPR). Bu sistem Avrupa standardı EN 12941:1998 uyarınca TH3P sertifikasına ve Avustralya standardı AS/NZS 1716:2012 uyarınca TH3P sertifikasına sahiptir.

e3000X, havalandırma işlemini destekleyerek, soluma için gereken çabanın ve dolayısıyla yorgunluğun azaltılması amacıyla kullanılır. Hava akışını kontrol etmek için kullanılan elektronik sistem, en az 170 n/dak* sabit akış debisi sağlamak üzere üfleci denetim altında tutar.

Bataryalar doldurulmuş bir bataryaya/e3000X'inetkin çalışması süresi, bataryanın türüne ve filtresinin durumuna bağlıdır (teknik özellikler tablosuna bakınız).

Kullanımdan önceki inceleme ve test öncesi yapılması gerekenler

- Çiftlik parçalarını ambalajlarını dikkatlice çıkarın.
- İlk kullanımdan önce pili tamamen şarj edin.

Muayene masası:

Ünitenin teslimat kapsamına göre eksiksiz ve eksiksiz olup olmadığını kontrol edin ve hiçbir şey zarar görmedi. Herhangi bir hasar bulunursa veya bir kısmı eksikse, derhal satış departmanı ile iletişime geçin. Asla hasarlı veya eksik bir ünite kullanmayın. Lütfen aşağıdaki bileşenlere özel bir göz atın:

BİLEŞEN	ARAYINIZ
Batarya	1. Konektör çatlamış veya kırılmış. 2. Gevşek pil kutusu kapağı veya hasarlı konektör.
Hortum	1. Delikler, kesikler veya sıyrıklar. 2. Hasarlı spiraller.
Kemer / Omuz Kemer	1. Kesikler, gentikler, yırtıklar veya kırık dişliçler. 2. Zarar görmüş toka. 3. Gevşek donanım.

E600 faceseal hakkında tüm bilgiler için, lütfen yüz contası kullanım kılavuzunu kullanın.

Kullanım öncesi inceleme ve test

Her kullanımdan önce e3000X'in kursuzdur olduğundan emin olun ve aşağıdaki yolu izleyin:

1. Kıvılcım önleyicinin, ana filtresinin ve ön filtresinin doğru takıldığını ve muhafaza kilidinin sıkıca yerine oturduğunu kontrol edin (muhafaza kapağının bir tık ile kapanması gerekir) (Şekil 1). Not: Tibbi alanda kullanıldığında, hijyenik nedenlerden dolayı kıvılcım koruması ve ön filtreler atanabilir.
2. Hava hortumunda ve hava bağlantı elemanında hasar kontrolü yapın (delik, yırtık, kesik vb). Hava hortumunu, cihaz üzerindeki hortuma karışık gelen parçanın üstüne bastırarak miğfere ve üflece bağlayın; bir tık sesi duyulana ve hortumun hafif bir çekmeyle yerinden çıkmayacağından emin olana kadar bastırılmalıdır. (Şekil 2).
3. Açma/kapama düğmesine yaklaşık 0,5 saniye süreyle basarak e3000X'i etkin hale getirin. (Şekil 3). Yaklaşık 3 saniye süren ilk çalıştırma sırasında, 5 adet LED lambanın tamamı yanar (3 LED lamba akış seviyesinin seçimi için yeşil renkte; biri batarya durumunu, diğeri filtre durumunu gösterir 2 adet LED lamba ise kırmızı renkte yanar - Şekil 4) ve bir alarm sesi (3 kez bip sesi) duyulur. Bu işlemin ardından e3000X kullanıma hazırdır.
4. Ayrıca, bu ilk çalıştırma sırasında e3000X, cihazla 170 n/dak'nın üstünde hatasız bir akış debisi sağlandığını doğrulamak üzere kendine bir başlangıç testi uygular. Kırmızı LED filtre ışığı, bahsedilen 3 saniyenin sonunda sönerse, en az 170 n/dak'lık bir akış hızı sağlanıyor demektir. Dahili bir akış

sensörü sayesinde e3000X, açık olduğu süre boyunca denetim uygulayarak sürekli olarak 170 n/dak'nın üstünde hatasız bir hava akışı sağlar.

5. Yukarıda bahsedildiği üzere e3000X, şarjı azalmış batarya ve eksik, tıkalı ya da yanlış takılmış filtre durumları için görülebilen ve duyulur uyarı (Şekil 5) özelliğine sahiptir. Uyarı devreye girerse tehlikeli bölge hemen terk edilmelidir. Aşağıda anlatılan yöntemle düşük hava akışı durumu canlandırılarak düşük akış tıkanma alarmının çalması testi edilebilir: e3000X cihazı kapalı durumdakinden, hortumu miğferden ayırın ve hortumun ucunu temiz elinizle ayasıyla bastırarak sıkıca kapatın; bu durumda motorematik olarak hızlanacak ve hava akışında azalmayı telafi etmeye çalışacaktır. Elinizi ayasıyla hortum ucuna bastırmaya ve hortumu sızdırmaz şekilde kapatmaya devam edin. Hortum ağzını sızdırmaz şekilde kapattığınızda, cihazdan bir alarm sesi duyulacak ve kırmızı LED filtre ışığı yanacaktır.
6. Alarmı susturmak için açma/kapama düğmesine yaklaşık 3 saniye süreyle basın ve hortumu miğfere bağlayın.
7. Emniyet miğferinin hasarsız durumda olduğundan emin olun ve PAPR cihazını kalçadan bağlayarak takın.
8. Üfleci çalışırken ve emniyet miğferinde havanın normal şekilde dolaşımında olduğundan emin olun.

Herhangi bir hasar varsa PAPR cihazını kullanmadan önce arızalı parçaları değiştirilmeniz gerekmektedir.

Çalışma şekli

Kemer ölçüsünün ayarlanması: Kemerı takın (Şekil 6) ve üfleç birimi kalçanıza rahat biçimde oturacak şekilde ölçüsünü ayarlayın.

Hava hortumunun çıkarılması: Hortum bağlantısını iki taraftan bastırın ve bağlandığı yerdeki parçadan ayırın (Şekil 7).

Bataryayı takın: Batarya, e3000X'in sağ alt tarafında bulunan kaydırmalı çerçevenin içine yerleştirilmelidir. Bataryayı tık sesi duyulana kadar kaydırarak yerine yerleştirin (Şekil 8).

Bataryanın çıkarılması ve doldurulması: Batarya üzerindeki kapak çıkarma mandalını geri çekin ve batarya, üfleç biriminden tamamen çıkana kadar kaydırmalı çerçevenin geri çekerek çıkarın (Şekil 9). Daha sonra bataryayı şarj aletine bağlayın (Şekil 10). Doldurma işleminin sürdüğü şarj aleti üzerinde yanar sarı LED lamba ile anlaşılır. Doldurma tamamlandığında LED lamba yeşile döner ve zayıf güçte dengeleme şarjı durumuna geçilir. Soketeki voltajın, şarj cihazının belirtilen voltajı ile aynı olduğunu kontrol edin.

UYARI

- Opsret P/N 4553.020 Lityum İyon piller, yalnızca ABD fişini kullanarak bir Opsret şarj cihazıyla (P / N 4551.070) şarj edilebilir. Başka şarj cihazlarının kullanılması patlamalara veya yaralanmalara neden olabilir.
- Opsret şarj cihazları (P / N 4551.070) yalnızca iç mekan kullanımını içindir ve dış mekan elemanlarına maruz bırakılmamalıdır. Pili 32 ° F'nin altında veya 113 ° F'nin (0 ° C - 45 ° C) üzerinde şarj etmeyin. Pili kutu, kağıt ve mobilya gibi yanıcı maddelerin yakınında şarj etmeyin.
- Akü şarjı güvenli ve tehlikesiz bir yerde yapılmalıdır. Pili kaynak cihazının yakınında şarj etmeyin veya saklamayın.
- Lityum iyon hücrelerinin suya maruz bırakılmaması veya ıslanmalarına izin verilmemesi. Lityum iyon hücrelerinin kuru kalması koşuluyla batarya paketinin suya maruz kalması kabul edilebilir.
- Pilleri sökmeyin veya değiştirmeyin. Aküler, hasar gördüklerinde akülerin ısınmasına, patlamasına veya yanmasına neden olabilecek güvenlik ve koruyucu cihazlar içerir.

UYARI

- Pili doğrudan güneş ışığına maruz bırakılmaması veya pili bir ısı ya da elektrik ark kaynağının yakınında kullanılmaması ya da saklanmaması.
- Bu uyarılara uymamak, ciddi kişisel yaralanmalara, ciddi hastalıklara veya ölüme neden olabilir.

DIKKAT

- Opsret, pilin 40 ° F ile 80 ° F (4,5 ° C ve 26,7 ° C) arasındaki sıcaklıklarda şarj edilmesini ve saklanmasını önerir. Daha yüksek sıcaklıklarda şarj etmek, kapasiteyi bir azalmaya neden olur ve pil ömrünü azaltır.
 - Hücrelerin delinmesini veya yırtılmasını önlemek için dikkatli olun.
 - Lityum pilin zarar görmesi, şişmesi, elektrolitik sızıntı olması veya şarj sırasında anormal derecede ısınması durumunda, derhal kullanıma devam etmeyin ve geri dönüşüne kadar yanmaz bir kaptaki saklayın.
 - Pili şarj cihazına 70 saatten daha uzun süre takılı bırakmayın.
- Batarya durumunu kontrol edin: Açma / Kapama düğmesine kısa süre basın, LED yanıp sönecektir. Batarya şarj durumunu alt ölçekte kontrol edin.

Akışın ayarlanması: Üfleçte üç farklı hava akış seviyesi vardır: 170/210/240 l/dak. Hava akış seviyesini değiştirmek için, döngüsel çalışan hava akış ayar düğmesine istediğiniz seviyeye gelene kadar tekrar basın. (Şekil 11)

Ana filtre ve ön filtrenin değiştirilmesi: Filtre alarmının çalışması durumunda ön filtreyi değiştirin (Şekil 12). Filtre alarmları arasındaki süreyi izleyin. Ön filtre her değiştirildiğinde, bu sürenin daha da kısalmaya beklenir. Değiştirme aralığının fazlasıyla kısaltıldığı hissederseniz -ki bu tamamen kullanıcının takdirine bağlıdır -ana filtreyi ve ön filtreyi değiştirmeniz tavsiye edilir. (Şekil 13)

Alarm işlevi

Filtre tıkanma alarmı: Filtre tıkanma alarmı devreye girerse LED lamba kırmızı yanar. Eylem olmadan, III ve II akış seviyeleri bir daha düşük olarak değişir.

Ön filtreyi ve ana filtreyi değiştirmek için, e3000X'ü kapatmak üzere açma/kapama düğmesine 2 saniye süreyle basın. Şimdi filtreleri değiştirebilirsiniz. Alarm sırasında e3000X'i kapatmazsanız 15 dakika daha çalışacak ve ardından otomatik olarak kapanacaktır.

Batarya alarmı: Batarya alarmı devreye girer, LED lamba kırmızı yanar. Sesli uyarı saniyede bir kez öter, bu durumda cihaz yaklaşık 30 dakika süreyle daha çalışabilir. Bu sürenin bitiminde e3000X kapanacaktır.

Depolama

e3000X sistemi ve ona ait aksesuarlar kuru bir yerde depolanmalıdır. Bunlar, güneş ışığına, yüksek sıcaklıklara ve karbonhidratlar ile çözelti buharlarına karşı korunmalıdır.

Bakım

Emniyet miğferini işletme talimatları uyarınca düzenli aralıklarla kontrol edin. Yüz sızdırmazlık elemanında ve hava ağzında delik, çatlak ya da başka bir hasar olup olmadığını ve söz edilen parçaların miğfer üzerinde doğru konumda takılmış olup olmadıklarını kontrol edin (işletme talimatlarına bakın). Aşınmış ya da zarar görmüş tüm parçalar değiştirilene kadar sistemi kullanmayın.

Bakım planı	
Faaliyet	Kullanılan sistem
Temizlik, dezenfekte işlemi	Her kullanımdan sonra
Görsel inceleme	Her kullanımdan önce ve sonra
Bataryanın doldurulması	Her kullanımdan sonra
Ana filtre ile üfleç birimi arasındaki sızdırmazlık elemanın değiştirilmesi	Yalnızca sızdırmazlık elemanı aşınmış ya da hasar görmüşse değiştirin, ancak yılda en az bir kez

Optrel, cihaza yılda en az bir kez Optrel yetkili bir şirket tarafından servis yapılmasını önerir. Cihaz depolanmış durumda bekletiliyorsa batarya 4 ayda bir yeniden doldurulmalıdır.

Temizlik ve dezenfekte etme

Sabunlu suyla hafifçe ıslatılmış bir bezle üfleci, hava hortumunu ve emniyet miğferini temizleyin. Cihazı oda sıcaklığında kurumaya bırakın. Güçlü deterjanlar, çözücüler, alkol ve aşındırıcı maddeler içeren temizlik malzemeleri kullanmayın. Yüz sızdırmazlık elemanı yıkanabilir tiptedir (elde yıkanır, makinaya koyulmaz).

Teknik özellikler (Teknik değişiklikler yapma hakkımız saklıdır)

Nominal koruma faktörü	Avrupa: TH3P sınıflandırması (TH2 hard hat) Avustralya: P3 sınıflandırması
Üfleç ünitesi	Akış debileri: Seviye 1: minimum 170 Nl/dak Seviye 2: minimum 210 Nl/dak Seviye 3: minimum 240 l/dak
Malzeme	PC+ABS
Üfleç	Yüksek kalitede bilyalı yataklı uzun ömürlü fırçasız motor
Sigorta	Elektronik sigorta
Batarya	Tipi: Li-Ion Şarj edilebilir Gerilim / kapasite: 14,8V / 3,25Ah Yeniden doldurma sayısı: > 500 Kullanım süresi, seviye 1* 18 saat Kullanım süresi, seviye 2* 16 saat Kullanım süresi, seviye 3* 13 saat Doldurma süresi: yaklaşık 5 saat Ağırlık: 420g / 14,815 ons Renk: siyah *minimum çalışma süresi yeni filtreyle ve oda sıcaklığında çalışma esnasında verilmektedir.

Gürültü seviyesi	Maksimum 70 dB(A)
Uyarı sinyalleri	Düşük güç, tıkalı filtre, filtre eksik, düşük akış debisi durumları için görünür ve sesli alarm
Filtre	1 x tip TH3P R SL TH3P sistemi (Avrupa) / TH3P sistemi (Avustralya) için
Hava hortumu	Uzunluk: 1160 mm (çekilerek 1300 mm'ye kadar uzayabilir - koruyucu gömlekle) Çap: 31 mm (içten ölçülür) Ağırlık: 185g / 6,526 ons (koruyucu gömlek olmaksızın) Renk: siyah
Ağırlık	1195g / 42,152 ons (filtre ve yalnızca kemere takılan batarya dahil)
Boyutlar	Uzunluk x Genişlik x Yükseklik: 222 x 213 x 92,6 mm
Standartlar	EN 12941:1998 / A2:2008, EAC TP TC 019/2011, AS/NZS 1716
Sertifikasyon Kurumu	CE 1024

Arıza Bulma

Üfleç çalışmıyor

→ Bataryanın doğru takılmış olduğunu emin olun.

→ Bataryanın tam dolu olduğundan emin olun.

Ana filtre ve ön filtre değiştirilmiş ve doğru biçimde takılmış olmasına rağmen

filtre uyarısı hâlâ devrede

→ Dahili e3000X arızası

→ e3000X cihazınızı en yakın bayiye götürün

Batarya dayanma süresi çok kısa

→ Arızalı batarya - bataryayı değiştirin ve kullanılmış bataryayı özel atıklar için ülkenede yürürlükte olan yönetmelikler uyarınca bertaraf edin.

→ Arızalı şarj aleti - değiştirin

Yedek parçalar (kapağa bakınız I, II, III, IV)

- e3000X PAPR
- Ana filtre TH3P R SL filtre, TH3P sistemi için (Avrupa) / TH3P sistemi için (Avustralya)
- Ön filtre
- Kıvılcım koruması
- Filtre kapağı
- Standart batarya (Li-Ion 48 Wh)
- PAPR cihazına uyumlu miğfer
- Hortum
- Hava hortumu için koruma gömleği (Aksesuar, dahil değil)

Web sitemizdeki ana katalogta daha fazla aksesuar bulabilirsiniz.

Açıklamalar (kapağa bakın)

- Kullanmadan önce işletme talimatlarını okuyun
- Açmak için keskin cisimler kullanmayın
- İçindekiler kırılabilir eşyadır
- Bu tarafı yukarı gelecek şekilde saklayın
- Nemden koruyun
- Sertifikasyon Kurumunun işareti (solunum koruması)
- İşareti EAC (Rusya)
- Sertifikasyon Kurumunun işareti (göz koruması)
- Lityum-iyonları içerir
- Plastik, dönüştürülebilir
- Tavsiye edilen depolama sıcaklığı: +5 °C ila +25 °C
- Normal evsel atıklarla birlikte bertaraf edilmemelidir. Özel atıklarla ilgili olarak ülkede yürürlükte olan yönetmeliklere uygun biçimde bertaraf edilmelidir.

Uygunluk beyanı

Son sayfadaki İnternet adresine bakınız.

Yasal bilgi

Bu belge, Ek II'nin 2016/425 no'lu bölümündeki AB Yönetmeliğinin gerekliliklerine uygundur.

Onaylanmış kuruluş

Detaylı bilgi için son sayfaya bakınız.

HRVATSKI

Uvod

Ventilatorski uređaj za filtriranje je uređaj koji služi za opskrbljivanje filtriranim svježim zrakom nekog certificiranog šljema za zavarivanje ili brušenje (zaštitni šljem), povezanog s ovim uređajem. U slučaju pridržavanja ovih uputa, te uputa za zaštitni šljem, koji se uz to koristi, korisnik se štiti od prašine i čestica u zraku za disanje.

Sigurnosne upute

Pazljivo pročitajte ove upute za upotrebu prije korištenja uređaja. Nepravilna upotreba može ugroziti život i zdravlje i dovesti do prestanka bilo kakvih jamstvenih prava prema firmi Oprel.

Upozorenja i ograničenja zaštite / rizici

Zaštitni šljem nosite samo kad je povezan s ventilatorom i kad je ventilator u pogonu. Ventilator se smije koristiti samo u kombinaciji sa zaštitnim uređajima za disanje, koji odgovaraju zahtjevima europskih i australskih normi. Ovaj PAPP ne štiti od plinovitih tvari. Postavite uređaj i uključite ga prije započinjanja s radom. Tek nakon toga se sigurno može kročiti u područje opasnosti. U slučaju pogrešnog funkcioniranja ventilatora, odmah napustite područje opasnosti. Čim se aktivira alarm punjive baterije (pali se crveni LED i akustični signal), odmah morate napustiti područje opasnosti. Napunite ili zamijenite punjivu bateriju. Čim se aktivira alarm struje zraka (pali se crveni LED i akustični signal), odmah napustite područje opasnosti i zamijenite filter.

S slučaju jakog vjetra sa strane ili otraga, zaštitna funkcija zaštitnog šljema može biti ugrožena. U okolišu s vrlo velikim opterećenjem česticama, u zaštitnom šljemu kod udisanja može nastati podtlak. To bi moglo reducirati zaštitno djelovanje. U tom slučaju skinite šljem ili isključite ventilator tek nakon napuštanja područja opasnosti. Kad odložite šljem, poduzmite sve potrebne mjere predostrožnosti, kako ne biste udahnuli prašinu ili kontaminirani materijal, koji se eventualno nataložio na vanjskoj strani šljema. Ventilator ili punjivu bateriju nikad nemojte uranjati u vodu, to može oštetiti uređaj. Uvjerite se da kod čišćenja ne prodre voda u uređaj. Rabljeni filteri se ne mogu očistiti ni obnoviti. Pokušaj čišćenja filtra komprimiranim zrakom ili vodom mogu oštetiti filter. Punjivu bateriju nemojte kratko spojati, to može dovesti do teških oštećenja.

Omatiča crijeva treba mijenjati svakih 6 mjeseci. Zbog intenzivnog UV i IR zračenja dolazi do gubitka zaštitnog djelovanja omotača crijeva na vatru. Omotač crijeva prije svakog korištenja treba provjeriti, da li se na tekstilu pojavljuju izbljeda, svjetla ili smeđa mjesta. Čim postanu vidljiva svjetla ili zagasita mjesta, omotač crijeva se više ne smije koristiti i treba ga zamijeniti. PAPP se ne smije primjenjivati:

- u zapaljivim ili u atmosferama, u kojima postoji opasnost od eksplozija,
- u slučaju premalog udjela kisika u zraku za disanje (Europa: <17 %, Australija: <19 %) ili ako je koncentracija otrova tako velika da je potrebna viša kategorija zaštite od TH3P (Europa i Australija),
- kod temperatura ispod -5 °C ili preko +55 °C,
- u okolišima, gdje postoji neposredna opasnost po život i zdravlje.

UPOZORENJE

- Vaš poslodavac (ili vi, ako nemate poslodavca) je/su odgovorni za utvrđivanje da je ovaj respirator prikladan za primjenu korisnika.
- Oprel ne može predvidjeti što će se dogoditi s ovim respiratorom u svakom potencijalnom okruženju. Materijali mogu biti kemijski napadnuti ako su izloženi pogrešnom okruženju i mogu pokazivati prekomjernu koroziju ili druge oblike oštećenja. Propuštanje ili prodiranje plinova, tekućina ili čestica kroz materijale može biti prekomjerno. Ekstremne temperature mogu uzrokovati termalnu degradaciju. Svaka od tih stvari, i njihova kombinacija, mogla bi stvoriti uvjete u kojima bi ovaj Oprel respirator bio opasan za upotrebu.
- Prije ulaska u opasnu okolinu tijekom nošenja respiratora, morate provesti sigurne, znanstvene testove kako biste utvrdili može li okolina opremu učiniti opasnom. Rezultati ovog testiranja trebaju biti dobro dokumentirani. Potražite pomoć ovlaštenog stručnjaka za sigurnost ili industrijskog higijeničara. NEMOJTE KORISTITI ovu opremu ako bi korisnik bio ugrožen na bilo koji način zbog ekološke razgradnje materijala u uređaju.
- Sve osobe koje koriste ovaj Oprel uređaj za disanje moraju biti svjesne svojih ograničenja. Ne možemo biti odgovorni za bilo kakvu štetu na imovini, osobne ozljede ili smrt u kojima je izloženost okoliša doprinisala.
- Nemojte koristiti ovaj respirator ako se nešto dogodi između kacige i lica (npr. Kose, trake, pokrivača glave itd.). Ovo stanje će spriječiti dobro brtvljenje kacige

i može dopustiti curenje kontaminanata u kacigu.

- Ne koristite ovaj respirator u okruženjima gdje su koncentracije kontaminanata nepoznate ili su odmah opasne po život ili zdravlje (IDLH). IDLH atmosfere definiraju se kao:

- a. Oni koje nosilac nije mogao disati kratko.
- b. Oni od kojih nositelj nije mogao pobjeći bez pomoći respiratora.
- c. Oni koji imaju neposredan ili odgođeni štetni učinak na zdravlje.

- NIKAD ne koristite ovaj respirator bez Oprelnog HE filtra, P / N 4088.100.
- Nemojte upotrebljavati ovaj respirator ako okolni uvjeti mogu uzrokovati pomicanje ili klizanje kacige za respirator.
- Ovaj respirator ne štiti od plinova ili para. To je samo za zaštitu od čestica onečišćenja.

- Odmah se vratiti na nekontaminirano područje ako:

- a. Imate okus ili miris kontaminanata ili ako se vaše oči, nos ili grlo iritiraju.
- b. Disanje postaje teško.
- c. Zrak koji udišete postaje neugodno topao.
- d. Osjećate mučninu ili vrtoglavicu.

- e. Primijetite ste gubitak ili smanjenje protoka zraka.

- f. Kaciga se pomiče, klizi ili curi.

- g. Osjećate se umorno.

- Ovaj respirator ne štiti izložena područja tijela. Neki se zagađivači mogu apsorbirati izravno kroz kožu, dok drugi mogu nadražiti izložena područja.
- Ovaj respirator ne pruža zaštitu od štetne buke. Uvijek nosite odgovarajuću zaštitu za uši.

- Ovaj respirator ne dovodi kisik. Ne koristite respirator

- atmospere koje sadrže manje od 19% volumena kisika.

- Ovaj respirator ne smije se koristiti pod vodom, za fumigaciju, unutarnje strukturalno gašenje požara, postupke pješkeranja abrazivnim sredstvima ili u područjima gdje dolje vrijeme visokih temperatura ili plamena može doći u dodir s respiratorom.

- Oprel respiratori, pribor i pripadajuća oprema ne smiju se koristiti u atmosferama koje mogu sadržavati koncentracije zagađivača iznad donje razine eksplozivnosti (LEL).

- Ovaj respirator će smanjiti, ali neće eliminirati udisanje kontaminanata. Neki osjetljivi pojedinci mogu osjetiti zdravstvene probleme kada su izloženi čak i malim količinama kontaminanata. Ovaj respirator neće spriječiti zdravstvene probleme tim pojedincima.

- Osobe senzibilizirane mogu imati ozbiljnu reakciju na kemikalije na razinama znatno ispod prihvaćenih zdravstvenih razina kao što je OSHA dozvoljena granica izloženosti (PEL), ACGIH granična vrijednost (TLV) ili NIOSH preporučene granice izloženosti (REL). NEMOJTE koristiti ovaj respirator ako ste osjetljivi na prethodnu izloženost ili vjerujete da ste osjetljivi ili alergični na bilo koju kemikaliju (npr. Izocjanate, lateks, itd.) Dok ne dobijete odobrenje od liječnika.

- Uvijek pročitajte i slijedite upute navedene u Sigurnosno-tehničkom listu za kemikalije koje se nalaze u radnom području.

- Nemojte ga koristiti ako već imate stanje kože (npr. Folikulit ili vitiligo) dok ne dobijete odobrenje od liječnika.

- Ovaj respirator mora se nositi i koristiti u skladu s uputama tvrtke Oprel. Ne ostavljajte bilo koji dio respiratora ili izostavite obvezni korak u uputama.

- Nijedan respirator ne može pružiti potpunu zaštitu od svih uvjeta. Budite krajnje oprezni u hitnim slučajevima.

- Korisnici moraju čisti i održavati ovaj respirator samo u skladu s uputama tvrtke Oprel. Dodatna oprema koju Oprel ne nudi može ugroziti performanse i poništiti certifikat.

- Prekinite s uporabom ako osjetite iritaciju kože ili promjenu boje.

- Ovaj proizvod može pružiti manje od odgovarajuće zaštite ako je neispravno upotrijebljen, što može dovesti do ozbiljnih ozljeda, teške bolesti ili smrti.

- Koristite samo stručno osposobljeno osoblje.

- Nemojte koristiti ovaj respirator ako je ostavljen izložen u kontaminiranoj okolini jer bi se zagađivači mogli sakupiti na unutarnjoj strani kacige i udahnuti kada se obuču plinaka maska.

- Redovito korišteni respiratori moraju se pregledati prije i nakon svake uporabe.

- Neuspjeh u opažanju svih upozorenja može rezultirati ozbiljnom osobnom ozljedom, ozbiljnom bolesti ili smrću.

Ako imate pitanja u vezi specifične primjene, upotrebe ili upotrebljivosti sustava e3000X, onda se obratite servisnoj službi firme Oprel.

Jamstvo i odgovornost

Oprel popravljati ili zamjenjuje proizvod prema potrebi, ako u roku od 24 mjeseca nakon dana kupnje dođe do greške u materijalu ili proizvodnji, pod uvjetom da je proizvod namjenski primijenjen u skladu s uputom za rukovanje. Jamstvo se gasi, ako se serijski broj izmjeni, ukloni ili učini nečitljivim ili ako je proizvod namjerno oštećen, zloupotrebljen, otvoren ili modificiran. Jamstvo se gasi i u slučaju pogrešne primjene, korištenja rezervnih dijelova, koji nisu originalni, i u slučaju nedovoljnog održavanja. Jamstvo pokriva samo popravak ili zamjenu neispravnih dijelova. Oprel ni u kom slučaju ne preuzima bilo kakvu odgovornost za općenita zakazivanja ili posljedične štete.

Očekivani vijek trajanja

e3000X nema rok upotrebe. Proizvod se može koristiti sve dok ne dođe do vidljivih ili nevidljivih oštećenja ili smetnji u funkcioniranju

Područje primjene

3000 je ventilatorski uređaj za filtriranje (PAPR) za zaštitu od prašine i čestica. Ovaj sustav je certificiran prema TH3P u skladu s europskom normom EN 12941:1998 i certificiran prema TH3P u skladu sa australskim normom AS/NZS 1716:2012. e3000X se koristi kao podrška postupku ventiliranja. To smanjuje napor kod udisanja, a time i umaranje. Elektronski sustav za regulaciju protoka nadzire ventilator da se osigura konstantno strujanje zraka od najmanje 170 L/min.

Efektivno vrijeme rada e3000X s potpuno napunjenom punjivom baterijom ovisi o tipu baterije i o stanju filtra (vidi tablicu „Tehnički podaci“).

Prije izvođenja ispitivanja prije puštanja u pogon

- Pažljivo uklonite ambalažu raznih dijelova.
- Bateriju napunite do kraja prije prve uporabe

Pregledni stol:

Provjerite je li jedinica u skladu s opsegom isporuke i ništa nije oštećeno. Ako se pronađe bilo kakvo oštećenje ili nedostaje dio, odmah kontaktirajte prodajni odjel.

Nikada nemojte koristiti oštećenu ili nepotpunu jedinicu. Posebno pogledajte sljedeće komponente:

KOMPONENTA	TRAŽITI
Baterija	1. Konektor je napuknut ili slomljen. 2. Otpustite poklopac kućišta baterije ili oštećenu priključnicu.
Crijevo	1. Rupe, posjekotine ili ogrebotine. 2. Oštećene spirale.
Pojas pojasa / ramena	1. Rezovi, urezivanja, suze ili slomljeni šavovi. 2. Oštećena kopčica. 3. Labava oprema.

Za sve informacije o e600 faceséal, molimo koristite priručnik za pečat lica.

Ispitivanje prije puštanja u pogon

Prije svake upotrebe trebate provjeriti da se e3000X nalazi u besprijekornom stanju i pritom postupite na sljedeći način:

1. Provjerite jesu li odvodnik iskre, glavni filter i predfilter pravilno ugrađeni i je li kućište brave čvrsto pričvršćeno (poklopac kućišta se mora zatvoriti klikom) (Sl. 1). Napomena: Kada se koriste u medicinskom području, zaštita od iskrenja i predfiltera mogu se izostaviti iz higijenskih razloga.
2. Provjerite crijevo za zrak i priključak za zrak na oštećenja (rupice, napuknuća, zarezana mjesta). Priključite crijevo za zrak na šljem i ventilator tako da pritisnete crijevo na odgovarajući element, sve dok ne uskočičujim klikom (sl. 2).
3. Uključite e3000X pritiskom na gumb za uključivanje/isključivanje na otprilike 0,5 sekunde (sl. 3). Tokom faze uključivanja u trajanju od 3 sekunde, pale se svih 5 LED-ova (3 LED-a za podešavanje stupnja strujanja zraka zelene boje i 2 LED-a crvene boje, od kojih jedan prikazuje status punjive baterije, a drugi stanje filtra – sl. 4) i oglašava se akustični alarm (3 pištanja). Nakon toga je e3000X spreman za rad.
4. Dodatno e3000X tokom faze uključivanja izvršava samotestiranje da se za uređaj provjeri dovoljna proizvodnja strujanja zraka, veće od 170 l/min. Ako se crveni LED za filter nakon faze uključivanja od 3 sekunde ugasi, onda se održava strujanje zraka od najmanje 170 L/min. Pomoću ugrađenog mjerača strujanja, e3000X kroz cijelo vrijeme rada konstantno nadzire strujanje zraka i održava ga iznad 170 L/min.
5. Kao što je gore opisano, e3000X posjeduje vidljivi i čujni alarm (sl. 5) za

kapacitet punjive baterije, te za nedostajući, začepljeni ili pogrešno umetnuti filter. U slučaju alarma smjesta treba izaći iz područja opasnosti!

Uvjerite se da alarm za premalo strujanje zraka/začepljenost filtra, funkcionira i to simulacijom premalog strujanja zraka na sljedeći način.

Kad je e3000X uključen, skinite crijevo sa šljema i pritisnite dlanom na kraj crijeva. Motor nakon toga automatski ubrzava da kompenzira premalo strujanje zraka. I dalje zadržite pritisak dlana na kraj crijeva tako da ga nepropusno zatvorite. Ako je to slučaj, onda uređaj emitira akustični signal i pali se crveni LED za filter.

6. Za zaustavljanje alarma, pritisnite tipku za uključivanje/isključivanje na otprilike 3 sekunde i priključite crijevo na zaštitni šljem.
 7. Uvjerite se u neostječenošću zaštitnog šljema, stavite ga na glavu i učvrstite PAPR oko pasa.
 8. Pokrenite ventilator i uvjerite se da zrak normalno cirkulira u zaštitnom šljemu.
- U slučaju oštećenja, neispravne dijelove morate zamijeniti prije korištenja PAPR-a.

Režim rada

Prilagođavanje dimenzije pojasa: Stavite pojas (sl. 6) i podesite dimenziju tako da jedinica ventilatora udobno bude učvršćena oko pasa.

Uklanjanje crijeva za zrak: S obje strane utisnite priključak crijeva i izvucite ga s odgovarajućeg elementa (sl. 7).

Umetanje punjive baterije: Punjiva baterija se treba umetnuti u odgovarajuću vodilicu na desnoj donjoj strani sustava e3000X. Pomaknite punjivu bateriju prema naprijed, sve dok ne uskočičujim klikom (sl. 8).

Vađenje i punjenje baterije: Povucite ručicu za deblokadu na bateriji prema natrag i izvucite bateriju na vodilici do kraja iz jedinice ventilatora (sl. 9). Zatim priključite bateriju na punjač (sl. 10). Postupak punjenja se prikazuje na punjaču svjetlećim LED-om žute boje. Nakon završetka postupka punjenja, LED svijetli zelenom bojom i aktivira se režim održavanja napunjenosti. Provjerite odgovara li napon u utičnici navedenom naponu punjača.

UPOZORENJE

- Oprel P / N 4553.020 Litij-ionske baterije mogu se puniti samo Oprel punjačem (P / N 4551.070) pomoću US priključka. Uporaba drugih punjača može uzrokovati eksplozije koje mogu dovesti do ozljeda ili smrti.
- Oprel punjači (P / N 4551.070) služe samo za unutarnju uporabu i ne smiju se izlagati vanjskim elementima. Nemojte puniti bateriju ispod 0 ° C - 45 ° C ispod 32 ° F ili iznad 113 ° F. Ne puniti bateriju u blizini zapaljivih materijala kao što su kutije, papir i namještaj.
- Punjenje baterije mora se obaviti na sigurnom, neopasnom mjestu. Bateriju nemojte puniti niti pohranjivati u blizini aparata za zavarivanje.
- Litijeve ionske stanice nemojte izlagati vodi i ne dopustiti im da se pokvase. Slučajna izloženost akumulatora vodi je prihvatljiva pod uvjetom da su litij-ionske stanice suhe.

- Nemojte rastavljati ili modificirati baterije. Baterije sadrže sigurnosne i zaštitne uređaje koji, ako su oštećeni, mogu uzrokovati stvaranje topline, eksploziju ili zapaljenje.

UPOZORENJE

- Bateriju nemojte stavljati na izravnu sunčevu svjetlost niti je koristiti niti spremati u blizini izvora topline ili električnog luka.
- Nepridržavanje ovih upozorenja može dovesti do ozbiljnih ozljeda, ozbiljne bolesti ili smrti.

OPREZ

- Oprel preporučuje da se baterija napuni i pohrani na temperaturama između 4,5 ° C i 80 ° F (4,5 ° C i 26,7 ° C). Punjenje pri višim temperaturama uzrokuje smanjenje kapaciteta i skraćuje trajanje baterije.
- Budite oprezni kako biste spriječili probijanje ili pucanje stanica.
- Ako je litijeva baterija oštećena, čini se da buđri, propušta elektrolite ili se tijekom punjenja nenormalno zagrijava, odmah prekinite njezinu uporabu i pohranite je u vatrootporni spremnik dok se ne reciklira.
- Ne ostavljajte bateriju pričvršćenu na punjač duže od 70 sati.

Provjerite stanje baterije: Kratko pritisnite gumb za uključivanje / isključivanje i LED će treptati. Provjerite stanje napunjenosti baterije na nižoj skali. Podešavanje strujanja zraka: Ventilator raspolaže s tri stupnja strujanja zraka: 170/210/240 l/min. Za promjenu stupnja strujanja zraka, pritisćite tipku za strujanje zraka i prođite preko pojedinih stupnjeva, sve dok ne dostignete željeni stupanj (sl. 11).

Zamjena glavnog filtra i predfiltra: Nakon aktiviranja alarma za filter, predfilter se mora zamijeniti (sl. 12). Molimo da nadzirete vrijeme između alarma za filter. Ono je nakon svake zamjene predfiltra sve kraće. Kad steknete dojam da su intervali za zamjenu prekratki (ovisi o vašem osjećaju), onda se preporuča zamjena glavnog filtra i predfiltra (sl. 13).

Funkcija alarma

Alarm za začepljenost filtra: Kad se aktivira alarm za začepljenost filtra, LED svijetli crvenom bojom. Bez djelovanja, razine protoka III i II mijenjaju se na jednu nižu. Ako želite zamijeniti predfilter i glavni filter, onda pritisnite tipku za uključivanje/isključivanje na 2 sekunde za isključivanje uređaja e3000X. Sad možete zamijeniti filtre. Ako e3000X tokom alarma ne isključite, onda on nastavlja raditi još 15 minuta, prije nego što se automatski ne isključi.

Alarm za punjivu bateriju: Kad se aktivira alarm za punjivu bateriju, LED svijetli crvenom bojom. U razmaku od jedne sekunde oglašava se pištanje, a uređaj se može koristiti još otprilike 30 minuta. Nakon toga se e3000X isključuje.

Skladištenje

Sustav e3000X i opremu treba skladištiti na nekom suhom mjestu. Zaštitite ga od sunčevog svjetla, visokih temperatura, ugljikovodika i isparavanja otapala.

Održavanje

Redovito provjeravajte zaštitni šljem u skladu s uputom za rukovanje. Provjerite izolaciju lica i mlaznicu zraka na pozice, pukotine i ostala oštećenja i uvjerite se da su dijelovi na šljemu pravilno pozicionirani (vidi uputu za rukovanje). Nemojte koristiti sustav prije zamjene svih istrošenih ili oštećenih dijelova.

Shema održavanja	
Mjera	Intervali
Čišćenje, dezinfekcija	Nakon svakog korištenja
Vizualna provjera	Prije i nakon svakog korištenja
Punjenje baterije	Nakon svakog korištenja
Zamjena izolacije između glavnog filtra i jedinice ventilatora	Zamijeniti samo, ako je izolacija istrošena ili oštećena, ali najmanje jednom godišnje

Oprel preporučuje da uređaj najmanje jednom godišnje servisiraju tvrtka s certifikatom Oprel. Kad se uređaj skladišti, bateriju treba napuniti svaka 4 mjeseca.

Čišćenje i dezinfekcija

Ventilator, crijevo za zrak i zaštitni šljem čistite krpom, ovlaženom sa sapunicom. Pustite uređaj da se osuši na temperaturi prostorije. Nemojte koristiti nikakva agresivna sredstva za čišćenje i otapanje, kao ni alkohol ni abrazivna sredstva za čišćenje. Izolacija lica se može prati (ručno pranje, bez centrifugiranja).

Pomoć kod smetnji

Ventilator se ne uključuje

→ Uvjerite se da je punjiva baterija pravilno umetnuta.

→ Uvjerite se da je punjiva baterija do kraja napunjena.

Alarm za filter je aktiviran, iako su predfilter i glavni filter zamijenjeni i pravilno montirani

→ Interna greška u e3000X

→ Sustav e3000X pošaljite natrag najbližem prodajnom mjestu.

Vrijeme rada baterije je prekratko

→ Baterija je neispravna – zamijenite bateriju, a neispravnu bateriju zbrinite kao specijalni otpad.

→ Punjač je neispravan – zamijeniti.

Tehnički podaci

(Tehničke izmjene pridržane.)

Nominalni faktor zaštite	Europa:	TH3P/TH2P-klasifikacija (vidi stranicu VI)
	Australija:	P3-klasifikacija
B/Jedinica ventilatora	Količine strujanja zraka:	Stupanj 1: najmanje 170 L/min
		Stupanj 2: najmanje 210 L/min
		Stupanj 3: najmanje 240 L/min
Materijal	Poliamid (PA-GF)	
Puhalica	Kvalitetni motor ventilatora s kugličnim ležajem	
Osigurač	Elektronski osigurač	

Punjiva baterija	Tip:	Litij-iona, punjiva
	Napon/kapacitet:	14.8V / 3.25Ah
	Ciklusi punjenja:	> 500
	Vrijeme rada stupanj 1*	18 sati
	Vrijeme rada stupanj 2*	16 sati
	Vrijeme rada stupanj 3*	13 sati
	Vrijeme punjenja:	otprilike 5 sati
	Težina:	420 g / 14,815 oz
	Boja:	crna
		*Minimalno vrijeme rada na temperaturi prostorije s novim filtrom
Razina zvuka	Maks. 70 dB(A)	
Signali upozorenja	Akustični i vizualni alarm kod preslake baterije, začepljenog ili nedostajućeg filtra i premalog strujanja zraka	
Filter	1 x tip TH3P R SL za TH3P-sustav (Europa) / TH3P-sustav (Australija)	
Crijevo za zrak	Dužina:	1160 mm (elastično do 1300 mm sa zaštitnim omotačem)
	Promjer:	31 mm (iznutra)
	Težina:	185 g / 6,526 oz (bez zaštitnog omotača)
	Boja:	crna
Težina	1195 g / 42,152 oz (zajedno s filtrom i pojasom, bez baterije)	
Dimenzije	D x Š x V: 222 x 213 x 92,6 mm	
Norme	EN 12941:1998 / A2:2008, EAC TP TC 019/2011, AS/NZS 1716	
Imenovana služba	CE 1024	

s/Obim isporuke/rezervni dijelovi (vidi stranicu I, II, III)

1 e3000X PAPR

2 Glavni filter TH3P R SL filter za sustav TH3P (Europa) /sustav TH3P (Australija)

3 Predfilter

4 Zaštita od iskrenja

5 Pokrov filtra

6 Standardna punjiva baterija (litij-ionska 48 Wh)

7 PAPR-kompatibilni zaštitni šljem

9 Crijevo

10 Zaštitni omotač za crijevo za zrak (pribor, nije sadržan)

Ostali pribor možete pronaći u glavnom katalogu ili na našim internet stranicama.

Objašnjenje znakova (vidi stranicu IV)

A Prije upotrebe pročitati uputu za rukovanje

B Ne otvarati oštirim predmetima

C Lomljivi sadržaj

D Skladištiti s ovom stranom prema gore

E Zaštititi od vlage

F Oznaka imenovane službe (respiratorna zaštita)

H Oznaka EAC (Rusija)

H Oznaka imenovane službe (zaštita očiju)

I Oznaka ispitivanja EAC (Rusija)

J Sadržji litij-ione

K Plastika, može se reciklirati

L Preporučena temperatura skladištenja: +5 C° do +25 C°

M Ne smije se zbrinjavati preko kućnog otpada. Zbrinuti kao specijalni otpad.

Izjava o sukladnosti

Vidi internet adresu na posljednjoj stranici.

Pravne informacije

Ovaj dokument zadovoljava zahtjevima EU uredbe 2016/425 točka 1.4 Priloga II.

Imenovana služba

Detaljne informacije, vidi posljednju stranicu.

GAEILGE

Réamhrá

Is éard is gléas scaigaire séidire ann ná gléas atá ceaptha aer úr scagtha a sholáthar do chlogad láthúcháin nó do chlogad meilte (clogad sábháilteachta) atá faoifa lena úsáid leis an ngléas seo. Trí chloil leis na treoracha seo a leanas agus le treoracha an chlogaid sábháilteachta a úsáidtear chun na críche sin, cosnófar an t-úsáideoir in aghaidh dusta agus cáithníní san aer a n-áilíonn sé/sí isteach.

Treoracha sábháilteachta

Léigh na treoracha oibríocháin seo a leanas go cúramach sula n-úsáidfeair an gléas. Má úsáidtear é ar bhealach nach raibh beartaithe, féadfaid beatha agus sláinte a chur i mbaol agus éilimh bharrantais in aghaidh Oprel a chur ar neamhni.

Rabhaidh agus srianta/rioscaí an ghadh

Ná cuir ort an clogad ach amháin nuair atá sé ceangailte leis an séidire agus nuair atá an séidire ar siúl. Ní ceadmhach an séidire a úsáid ach amháin le gaireas analáithe atá ag teacht le riachtanais na gcaighdeán Eorpach agus Astrálach araon. Ní thugann an PAPP seo an chosaint in aghaidh substaintí gásacha. Sula dtosóidh tú ag obair, cuir ort an gléas agus cuir ar siúl é. Ní féidir leat dul isteach sa chrios contúirte go slán sábháilte go dtí go mbeidh an méid sin déanta agat. Má bhíonn ainghléas ar an séidire, fág an crios contúirte láithreach Bonn. A luaithe a thosaíonn an t-aláram cadhnra (LED dearg agus comhartha inchloiste), ní mór duit an crios contúirte a fhágáil láithreach Bonn. Luchtaigh an cadhnra nó cuir ceann nua ina ionad. A luaithe a thosaíonn an t-aláram aersheafa (LED dearg agus comhartha inchloiste), ní mór duit an crios contúirte a fhágáil láithreach Bonn agus scaigaire nua a chur in ionad an tseanchinn. Má bhíonn gaoh láidir ann ón taobh nó ón gcúl, féadfaidh sé go gcuirfeair isteach ar fheidhm chosanta an chlogaid. I dtimpeallachtaí a bhfuil ardleibhéil éilithe cáithníní iontu, féadfaidh sé go dtarlóidh brú diúltach sa chlogad chosanta nuair a ionanáiltear. Féadfaidh sé go gcuirfidh sé sin isteach ar an éifeacht chosanta. Sa chás sin, ná bain an clogad díot agus ná mích an séidire go dtí go mbeidh an crios contúirte fágtha agat. Nuair atá an clogad á bhaint díot, tóg gach réamhchúram is gá le nach n-ionanáiltear tú dusta ná ábhar éilithe atá tar éis camadh ar an taobh amuigh den chlogad. Ná tum an fean ná an cadhnra in uisce toisc go bhféadfaidh sé go ndéanfadh sé sin dochar don aonad. Déan iarracht gan ligean don uisce dul isteach san aonad nuair atá sé á ghlánadh. Ní féidir scaigaire a ghlánadh ná a athphróiseáil tar éis a n-úsáide. D'fhéadfaí dochar a dhéanamh don scaigaire dá ndéanfaí iarrachtaí é a ghlánadh le haer combhruite nó le huisce. Ná déan an cadhnra a ghearrchiorcadadh; d'fhéadfaidh sé sin a bheith ina chúis le damáiste tromchúiseach.

Ba chóir an clúdach osáin a athsholáthar gach 6 mhí. Mar gheall ar dhian-ionradantas ultraivialaít agus infridhearg, caillean an clúdach a éifeacht lasairmhóilitheach. Scrúdúigh an t-osáin go cúramach i gcoinní roimh duit an gléas a úsáid lena fháil amach an bhfuil an áiteanna tuartha, geala nó donna tar éis foirmiú sa teicstíl. A luaithe a fheicfidh tú áiteanna geala nó neamhlonracha, caitheair éirí as an osáin sin a úsáid agus ceann nua a chur ina ionad.

Ní cheadaítear an PAPP a úsáid:

- i dtimpeallachtaí inlasta ná pléascacha,
- má bhíonn an tiúchan ocsaigine san aer analáithe ró-iseal (an Eoraip: <17%, an Astráil: <19) nó má bhíonn an tiúchan tocsaine chomh hard sin go bhfuil rang chosanta níos airde ná TH3P (an Eoraip agus an Astráil) ag teastáil,
- má bhíonn an teocht faoi bhun -5 °C ná os cionn +5 °C,
- i dtimpeallachtaí a bhfuil beatha agus sláinte in garchontúirt iontu.

RABHADH

- Tá d'fhostóir (nó tú féin, mura bhfuil fostóir agat) freagrach as a chinntiú go bhfuil an riospróir seo oiriúnach do chur i bhfeidhm an úsáideora.
- ní féidir le Oprel a thuar céard a tharlóidh don riospróir seo i ngach timpeallacht fhéideartha. Is féidir ábhair a ionasí go ceimiceach má nochtar iad don chomhshaoil micheart agus féadfaidh siad creimeadh iomarcach nó cineálacha eile damáiste a thaispeáint. D'fhéadfaidh tréscaille nó tréa gáis, leachtanna nó cáithníní a bheith iomarcach. D'fhéadfaidh díghrádú teirmeach a bheith ina chúis le díghrádú teirmeach. D'fhéadfaidh gach ceann de na rudaí seo, nó teaglainn díobh, dálaí a chruithú ina mbeadh an riospróir optála seo contúirteach a úsáid.
- Sula dtéann tú isteach i dtimpeallacht ghuaiseach agus an riospróir seo a chaitheamh agat, ní mór duit tástálacha eolaíoch sábháilte a dhéanamh le fáil amach an bhféadfaidh an timpeallacht an treamh a dhéanamh neamhshábháilte. Ba cheart torthaí an scrúdaithe seo a choimeádú go maith. Déan cabhair a lorg ó ghairmí sábháilteachta nó sláinteoirí ionscloch deimhinne. NÁ ÚSÁID AN treamh seo dá gcuirfí an t-úsáideoir i mbaol ar dhóigh ar bith trí dhíghrádú na n-ábhar sa ghaires atá spreagtha don chomhshaoil.
- Ní mór gach duine a úsáideann an gaires analá seo a chur ar an eolas faoina

theorainneacha. Ní féidir linn a bheith freagrach as damáiste do mhaoin, do ghortú pearsanta, nó do bhás ina bhfuil an nochtadh comhshaoil ina fhachtóir rannpháirteach.

- Ná bain úsáid as an riospróir seo má thagann aon rud idir an clogad faceaseal agus daghaidh (m.sh., grauig, bannaí, clúdach cinn, etc.). Cuirfidh an coinníoll seo cosc ar shéala maith clogad agus d'fhéadfaidh sé go gceadófaí sceitheadh ábhar saill sa clogad.
- Ná bain úsáid as an riospróir seo i dtimpeallachtaí nach eol go bhfuil tiúcháin na n-ábhar salaithe iontu nó go bhfuil siad contúirteach don bheatha nó don tsláinte láithreach (IDLH). Samhainítear atmaisféir IDLH mar:
 - a. Iad siúd nach raibh an duine féin in ann anáil ar feadh tréimhsí gearra.
 - b. Iad siúd nár bhféidir leis an duine éalaithe éalú gan chúnamh ó riospróir.
 - c. Iad siúd a bhfuil drochthionchar láithreach nó moill acu ar shláinte.
- Ná húsáid an riospróir seo gan scaigaire optúil HE, P / N 4088.100.
- Ná bain úsáid as an riospróir seo nuair a d'fhéadfaidh dálaí comhshaoil an clogad riospráide a dhíbirt nó a duilliin.
- Ní chosnaíonn an riospróir seo i gcoinné gáis nó gal. Ní féidir é a chosaint ach amháin i gcoinné ábhar salaithe cáithníníneach.
- Téigh ar ais láithreach chuig limistéar neamhthruaillithe:
 - a. Tá tú ag blas nó ag smell ábhar salaithe nó má bhíonn do shúile, do shrón nó do scormach greannach.
 - b. Bíonn analáithe deacair.
 - c. Éiríonn an t-aer atá tú ag anáil go teolaí te.
 - d. Mothaíonn tú go bhfuil tú meallach nó d'Úsachtach.
 - e. Tugann tú faoi deara go bhfuil cailteanas nó laghdú ar an sruth aeir.
 - f. Gluaiseann, scaipeann, nó sceitheadh an clogad.
 - g. Bhraitheann tú tuirseach.
- Ní chosnaíonn an riospróir seo limistéir nachta an choirp. Is féidir roinnt ábhar salaithe a shú isteach go díreach tríd an gcorcaean agus is féidir le cinn eile greim a fháil ar limistéir nachta.
- Ní chuireann an riospróir seo cosaint ar fáil ó thorann docharach. Caithe cosaint chluas cheart i gcoinní.
- Ní sholáthraíonn an riospróir seo ocsaigín. Ná bain úsáid as an riospróir isteach atmaisféir ina bhfuil níos lú ná 19% ocsaigine de réir toirte.
- Ní féidir an riospróir seo a úsáid faoi uisce, le haghaidh toirthe, le comhrac dóiteáin struchtúraigh taobh istigh, le hobriochtaí pléascacha scriobacha, nó i gceantair ina bhféadfaidh tréimhsí dála teasa nó lasracha dul i dteagmháil leis an riospróir.
- Níor chóir riospróir, gabhálaí, agus treamh gaolmar optúil a úsáid in atmaisféir a bhféadfaidh comhábhar tiúsacha a bheith iontu os cionn an leibhéil phléascaigh iochtarach (LEL).
- Laghdóidh an riospróir seo, ach ní chuirfidh sé deireadh leis an ionanáil ábhar salaithe. D'fhéadfaidh fadhbanna sláinte a bheith ag roinnt daoine iogaire nuair a bhíonn siad nachta do mhéideanna caochaire fiú. Ní chosoidh an duine seo fadhbanna sláinte ar na daoine sin.
- Is féidir le daoine atá iograithe imoibríú mór a bheith acu le ceimiceáin ag leibhéil atá i bhfad níos ísle ná na leibhéil sláinte a ngactar leo, amháil Teorainn Nochtadh Permis-Inléite OSHA (PEL), Luach Teorainn Tairisí ACGIH (TLV), nó Teorainneacha Molta Neamhchosanta (REL) NIOSH. NÁ Úsáid an riospróir seo má tá tú iograithe ó nochtadh roimhe seo nó má chreideann tú gur féidir leat a bheith iogaire nó ailléirgeach d'aon cheimiceán (m.sh., isocyanates, laitéis, etc.) go dtí go bhfaigheann tú cead ó dhochtúir leighis.
- Léigh agus lean na treoracha atá listaithe sa Bhileog Sonraí um Shábháilteacht Ábhar do na ceimiceáin atá i láthair sa limistéar oibre.
- Ná bain úsáid as, má tá riocht craicinn reatha ort (mar shampla, folliculitis nó vitiligo) go dtí go bhfaigheann tú cead ó dhochtúir leighis.
- Ní mór an riospróir seo a chaitheamh leasúil agus a úsáid mar a shonraítear i dtreoracha Oprel. Ná fág aon chuid den riospróir ar shiúl nó fág céim éigeantach de na treoracha amach.
- Ní féidir le haon riospróir cosaint iomlán a sholáthar ó gach coinníoll. Úsáid anchúram as dálaí éigeandála.
- Ní mór d'úsáideoir an riospróir seo a ghlánadh agus a chothabháil ach amháin de réir treoracha Oprel. Is féidir le Accessories nach bhfuil á dtairiscint ag Oprel, feidhmíocht a dhíghrádú, agus beidh deimhniú ar neamhni.
- Deireadh a chur le húsáid má bhíonn greannú craicinn nó míl ort.
- D'fhéadfaidh an t-áire go cosaint níos lú ná a dhóthain a sholáthar má úsáidtear go míchuí é, a bhféadfaidh gortú tromchúiseach pearsanta, tinneas tromchúiseach nó bás a bheith mar thoradh air.
- Le húsáid ag pearsanna cáilithe oile amháin.

• N'á bain úsáid as an riospróir seo má tá sé fágtha nochta i dtimpeallacht éillithe toisc go bhféadfadh ábhar salaithe an tabhais istigh den chlogad a bhailliú agus a ionanálú nuair a dhéantar an masc gáis a chaitheamh.

• Ní mór cigirí a úsáidtear go rialta a iniúchadh roimh agus tar éis gach úsáide.

• MAIDIR LE SÍOSADHÉANAMH IS FÉIDIR LE GACH RABHADH ADHÉANAMH I nDÍOS DÉANAMH PEARSANTA DÉANTA, TÁBHACHT DÉANTA, NÓ BÁ.

Má bhíonn ceisteanna agat faoi feidhme, úsáid nó oiriúnacht chóras e3000X, déan teagmháil le foireann seirbhíse Oprel do chustaiméirí.

Barántas agus dliteanas

Déanfaidh Oprel an tairge a dheisiú nó a athsholáthar de réir mar is gá má thagann locht sna hábhair nó sa tsaoireacht chun solais laistigh de 24 mí tar éis an dáta ceannaigh, ar chuntar gur úsáideadh an tairge de réir na dtreoracha sa lámhleabhar. Beidh an barántas ar neamhní má athraíodh an tsraithuimhir, má baineadh í, nó má rinneadh doléite í, nó má rinneadh damáiste don tairge d'aon ghnó, má mí-úsáideadh é, má osclaíodh é, nó má mionathraíodh é. Rachaidh an barántas in éag freisin má mhí-úsáidtear é, má úsáidtear páirteanna sártha neamhbhuainidh nó mura ndéantar cotohbháil air. Ní chluáitear leis an mbarántas ach deisiú nó athsholáthar páirteanna lochtacha. Ní bheidh Oprel faoi dhilteanas in aon chás i leith aon teipeanna ginearálta ná i leith aon damáistí iarmhartacha.

Saolríoicnais sheirbhíse

Níl aon dáta éaga i gceist leis an e3000X. Féadfaidh an tairge a úsáid a fhad agus nach mbeidh aon damáiste, cibé infeicthe nó dofheicthe, déanta dó agus nach dtarlóidh aon mhífheidhmeanna.

Réimse feidhme

Is aonad scaigaire séidire (PAPR) é an e3000X, a chosnaíonn in aghaidh dusta agus cáithníní. Tá an córas seo TH3P-theistithe de réir Chaighdeán Eorpach EN 12941:1998 agus TH3P-theistithe de réir Chaighdeán Astrálach AS/NZS 1716:2012. Úsáidtear an e3000X le tacú leis an bpróiseas aerála. Laghdaíonn sé an iarracht ionanálaithe agus, dá bhrí sin, an tairse. Déanann an córas sreabhrialaithe leictreonach monatóireacht ar an séidire le haershreabhach leanúnach nach lú ná 170 NI/nóim³ a chinntiú.

Braitheann améifeachtach oibriúcháin an e3000X nuair atá an cadhnra lánlucháitithe ar an gineál cadhnra agus ar bhail an scaigaire (féach an tábla "Sonraí teicniúla"). Roimh an tástáil réamhchoimisiúnaíthe

• Déan pacáistiú na godanna éagsúla a bhaint go cúramach.

• Muirearú ceallraí go hiomlán roimh an gceád úsáid

Tábla cigireachta:

Seiceáil an bhfuil an t-aonad comhlánaíthe de réir scoip an tseachadta agus nach ndéanadh damáiste do rud ar bith. Má aimsítear aon damáiste nó má tá cuid ar iarraidh, déan teagmháil láithreach leis an roinn díolacháin. N'á húsáid aonad millte nó neamhiomlán. Féach go sonrach ar an comhpháirteanna seo a leanas:

COMHPHÁIRTIÓCHT	Féach DO
Battery	1. Nascóirí scainte nó briste. 2. Lid lid ceall scaoilte nó cónascaire damáistithe.
Hose	1. Poill, ciurrúithe nó scríobhaigh. 2. Biseanna damáistithe.
Creasa / Úsáide chualainn	1. Gearr, sceartáin, deora nó fuála briste. 2. Búcla millte. 3. Crua-earraí scaoilte.

Chun gach eolas faoi e600 aghaidh a úsáid, bain úsáid as lámhleabhar le haghaidh ríon aghaidh.

Tástáil réamhchoimisiúnaíthe

Déan cinnte de go bhfuil dea-bhail ar an e3000X roimh gach úsáid agus lean na treoracha seo a leanas:

1. Seiceáil an bhfuil an spréach-ghabhálaí, an príomh-scaigaire agus an réamh-scaigaire suiteáilte i gceart agus cibé an bhfuil an glas tithíochta gafa go daingean (caithfidh an clúdach tithíochta dúndháile cliceáil) (Fíor 1). Nóta: Nuair a úsáidtear iad sa réimse míochaine, is féidir cosaint spréach agus réamh-scaigairí a fhágáil ar lár ar chúiseanna sláinteacha.
2. Seiceáil an t-osán air agus an ceangal air lena chinntiú nach bhfuil siad damáistithe (poill, scoiteanna, gearrthacha). Ceangail an t-osán air leis an glogad agus leis an séidire tríd an osán a bhrú ar an bpaír chuplála go dtí go luifidh sé isteach ina áit féin de smeach inchloiste (Fíor 2).
3. Cuir an e3000X ar siúl ach an cnaipe Air/As a bhrú go ceann thart ar 0.5 shoicind (Fíor 3). Le linn an phróisis tosaithe 3 shoicind, lasann na 5 LED (3 LED ghlasa a bhaineann le an leibhéal aershreafa agus 2 LED dhearga, ceann a léiríonn stádas an chadhnra agus ceann eile a léiríonn stádas an scaigaire - Fíor 4) agus cloistear aláram (3 bhíp). Beidh an e3000X réidh le hoibriú ansin.
4. Ina theannta sin, déanann an e3000X féintástáil le linn an phróisis tosaithe lena

chinntiú gur leor an t-aershreabhach atá á ghuiniúint ag an aonad (i. o. cionn 170 l/nóim). Má mhúchann an LED dearg a bhaineann leis an scaigaire tar éis an phróisis tosaithe 3 shoicind, tá aershreabhach nach lú ná 170 l/nóim. á choinneáil. Úsáideann an e3000X sreabhthéadar ionsuite le monatóireacht leanúnach a dhéanamh ar an aershreabhach i rith an oibriúcháin agus coinneáir os cionn 170 l/nóim. é ar an gcaoi sin.

5. Mara chuirtear in iúl tuas, cuireann an e3000X aláram in feicthe agus inchloiste ag baint (Fíor 5) nuair atá an cadhnra lag agus nuair atá na scaigairí in easnamh, b'achta nó ionsáite go mícheart. I gcás aláráim, fág an crios contúirte láithreach bonn!
Déan cinnte de go bhfuil an t-aláram le haghaidh aershreabhach lag/scaigaire b'achta ag obair i gceart ach cás aershreafa laig a ionsamhlú mar seo a leanas. Agus an e3000X ar siúl, bain an t-osán den chlogad agus brúigh bos do lámh in aghaidh dheireadh an osáin. Déanfaidh an mótar a luas a ghéarrú uaidh féin ansin d'fhonn cúiteamh a dhéanamh san aershreabhach lag. Lean ort ag brú bhos do lámh go daingean in aghaidh dheireadh an osáin le hé a sheáilú go docht. Nuair a dhéantar amháidh, cuirfidh an t-aonad aláram inchloiste ag baint agus lasfaidh an LED dearg a bhaineann leis an scaigaire.
6. Leis an aláram a stopadh, brúigh an cnaipe Air/As go ceann thart ar 3 shoicind agus ceangail an t-osán leis an glogad.
7. Déan cinnte de nach bhfuil an clogad damáistithe, cuir ort é agus ceangail an PAPR timpeall ar do chromáin.
8. Tosaigh an séidire agus déan cinnte de go bhfuil an t-aer sa chlogad ag dul timpeall mar is gnách.

Má tá sé damáistithe, ní mór duit páirteanna nua a chur in ionad na bpáirteanna lochtacha sula n-úsáidtear an PAPR.

Mód oibriúcháin

Méid an chreasa a choigeartaigh: Cuir ort an crios (Fíor 6) agus coigeartaigh a mhéid le go mbeidh an t-aonad séidire ina shuí go comordach ar do chromáin.

An t-osán air a bhaint: Brúigh an ceangaltóir osáin ar an dá thaobh agus tarraing amach ón bpaír chuplála é (Fíor 7).

An cadhnra in-athlucháitithe a ionsá: Ní mór an cadhnra a ionsá isteach sa treoir chuí ar thóin an e3000X ar dheis. Brúigh an cadhnra chun cinn go dtí go luifidh sé isteach san áit cheart de smeach inchloiste (Fíor 8).

An cadhnra a bhaint agus a luchtú: Tarraing an luamhán scaoilte cadhnra siar agus sleamhnaigh an cadhnra síos an treoir ar fad amach as an aonad séidire (Fíor 9). Ansin ceangail an cadhnra leis an luchtair (Fíor 10). Cuirtear in iúl go bhfuil an próiseas luchtaithe ar bun le LED buí ar an luchtair. Nuair a bheidh an luchtú curtha i gcrích, tiocfaidh dath glas ar an LED agus cuirtear an mód síl-luchtaithe i gngníomh. Seiceáil go bhfuil an voltais sa scoicéad ag teacht le voltais sonraíthe an luchtair.

RABHADH

- Oprel P / N 4553.020 Litiam Ní féidir cadhnraí an a ghearradh ach le luchtair optála (P / N 4551.070) ag baint úsáide as breiseán na Stát Aontaithe. D'fhéadfadh úsáid chargers eile a bheith ina chúis le pléascanna a mbeadh gortú nó bás mar thoradh orthu.
- Tá luchtairí optála (P / N 4551.070) le haghaidh úsáide laistigh amháin agus ní féidir iad a bheith nochta do ghnéithe lasmuigh. N'á gearradh ceallraí faoi 32 ° F nó os cionn 113 ° F (0 ° C - 45 ° C). N'á gearradh ceallraí in aice le hábhair inadhainte amháil boscaí, páipéar agus troscán.
- Ní mór muirearú ceallraí a dhéanamh i suíomh sábháilte, neamhghuaiseach. N'á déan na ceallraí a ghearradh ná a stóráil gar don ghairias tathúcháin.
- N'á taispeáin na cealla in litiam chun uisce nó ná lig dóibh fiuch. Tá glacadh teagmhaseach an pháiciste ceallraí le huisce inghlactha ar choinníoll go bhfanfaidh na cealla in litiam tirim.
- N'á déan na cadhnraí a choinneáil ná a mhodhnú. Tá gairis shábháilteachta agus chosanta sna cadhnraí, a d'fhéadfadh a bheith ina gcúis le cadhnraí teas a ghuiniúint, pléascadh nó adhaint, má dhéantar damáiste dóibh.

RABHADH

- N'á cuir an ceallraí faoi sholas díreach na gréine ná na cuir na ceallraí in aice le foinsé teasa nó stua leictrigh.
- Má theipeann ort na rabhaidh seo a urramú d'fhéadfadh gortú tromchúiseach pearsanta, tinneas tromchúiseach nó bás a bheith mar thoradh air.

AIRE

- molann Oprel go gearrtaigh agus go stóráiltear an ceallraí ag teochtair idir 40 ° F agus 80 ° F (4.5 ° C agus 26.7 ° C). Is é is cúis le muirear ag teochtair níos airde ná laghdú ar chumas agus laghdaíonn sé saol na ceallraí.
- Bí cúramach le cosc a chur ar phromhadh nó réabhadh ceall.
- Má dhéantar damáiste don chadhnra litiam, má tá an chuma air go bhfuil sé swelle, cuir an ceallraí faoi sholas díreach na gréine nó na cuir na ceallraí in aice le foinsé teasa nó stua leictrigh.

scaoileann sé electro-lytes nó faigheann sé thar a bheith le linn muirir, stop a chur leis an úsáid láithreach agus é a stóráil i gcoimeádán frithdhionach go dtí gur féidir é a athchúrsáil.

• Ná fág an ceallra atá ceangailte leis an luchttaire ar feadh níos mó ná 70 uair an chloig. Seiceáil stádas ceallraí: Brúigh an Cnaipe Ar / Off as go gairid agus beidh an LED faoi bháth. Seiceáil an stádas muirir ceallraí ar an scála níos ísle.

An t-aersheabhach a choigeartú: Tá trí leibhéal aersheafa agus an séidire: 170/210/240 l/nóim. Leis an leibhéal aersheafa a athrú, brúigh an cnaipe aersheafa agus scrollaigh trí na leibhéil dhifriúla go dtí go bhfaighfean an leibhéal atá ag teastáil (Fíor 11).

An príomhscagaire agus an réamhscagaire a athsholáthar: Má fhaightear ant-aláram maidir leis an scagaire, ní mór an réamhscagaire a athsholáthar (Fíor 12). Déan monatóireacht ar an achar ama idir na haláir maidir leis an scagaire. Éireoidh an t-achar sin níos faide gach uair a dhéanfar an réamhscagaire a athsholáthar. Nuair a bheidh tú den tuairim (tuairim phearsanta) go bhfuil an t-achar sin éirthe róghear, moltar duit idir an príomhscagaire agus an réamhscagaire a athsholáthar (Fíor 13). Feidhm aláiraim

Aláram maidir le scagaire bachta: Nuair a bhaintear an t-aláram maidir le scagaire bachta, lastar an LED i ndath dearg. Gan gníomh, athraionn na leibhéil sreafa III agus II go ceann níos ísle. Chun an réamhscagaire agus an príomhscagaire a athsholáthar, brúigh an cnaipe Air/As agus coinneigh síos go ceann 2 shoicind é leis an e3000X a mhúchadh. Anois is féidir leat na scagairí a athrú. Mura mbeann tú an e3000X nuair atá aláram gníomhach, leanfaidh sé air ag feidhmiú go ceann 15 nóiméad sula múchfaidh sé uaidh féin.

Aláram maidir leis an gcadhnra: Nuair a bhaintear an t-aláram maidir leis an gcadhnra, lastar an LED i ndath dearg. Déantar bip gach soicind; beidh tú in ann leánuint ar aghaidh ag úsáid an ghléis go ceann thart ar 30 nóiméad. Múchfaidh an e3000X uaidh féin ansin.

Stóráil

Caitheann córas e3000X agus na hoiriúintí a ghabhann leis a stóráil in áit thírím. Cosain in aghaidh sholas na gréine, teochtaí arda, hidreacarbón agus gal tuaslágróirí.

Cothabháil

Scrúdaigh an clogad go rialta de réir na dtreoracha oibriúcháin. Déan scrúdú ar an séala aghaidhe agus ar an bmuine leir lena chinntiú nach bhfuil aon phoil, an scoilteanna ná aon damáiste eile ann agus déan cinnte de go bhfuil siad san áit cheart ar an gclogad (féach an lámhleabhar). Ná húsáid an córas go dtí go mbeidh athsholáthar déanta ar gach páirt chaite nó dhamáistithe.

Sceideal cothabhála	
Gníomh	Minicíocht
Glanadh, díghalrú	I gcónaí tar éis a úsáidte
Amharcniúchadh	I gcónaí roimh a úsáid agus tar éis a úsáidte
Luchtaigh an cadhnra	I gcónaí tar éis a úsáidte
Athsholáthair an séala idir an príomhscagaire agus an t-aonad séidire	Ná hathsholáthair é ach amháin má tá an séala caite nó damáistithe, ach uair sa bhliain ar a laghad

Molann Optrel go ndéanfadh cuideachta deimhnithe Optrel an fheiste a sheirbhísiú uair sa bhliain ar a laghad.

Nuair atá an gléas á stóráil, caitheann an cadhnra a athluchtú gach 4 mhí.

Glanadh agus díghalrú

Glan an séidire, an t-osán aeriú agus an clogad le héadach arna fhliuchadh le uisce sobalach. Lig don aonad triomú agus teocht an tseomra. Ná húsáid dianobreáin ná diantuaslagóirí glantacháin, alcól ná oibreáin scrabhacha ghlantacháin. Is féidir an séala meicniúla a ní (níochán de láimh, nó rothlaigh).

Fabhtcheartú

Ní chasann an séidire air

→ Déan cinnte de go bhfuil an cadhnra curtha isteach i gceart.

→ Déan cinnte de go bhfuil an cadhnra lánluchtaithe.

Tá aláram an scagaire gníomhach cé gur athsholáthraíodh an réamhscagaire agus an príomhscagaire agus go bhfuil siad feistithe i gceart

→ Earráid inmheánach e3000X

→ Tabhair an córas e3000X ar ais chuig an déileálaí is cóngaraí.

Bionn saolré an chadhnra róghear

→ Cadhnra lochtach - Cuir cadhnra nua in ionad an chinn atá lochtach agus diúscair

an cadhnra lochtach mar dhramhail ghuaiseach.

→ Luchtaithe lochtach - faigh ceann nua.

Sonraí teicniúla

(Coimeáidimid an ceart againn féin athruithe teicniúla a dhéanamh.)

Fachtóir ainmiúil cosanta	An Eoraip: Rangú TH3P/TH2P (féach leathanach VI) An Astráil: Rangú P3
Aonad séidire	Rátaí aersheafa: Leibhéal 1: 170 NI/nóim ar a laghad Leibhéal 2: 210 NI/nóim ar a laghad Leibhéal 3: 240 l/nóim ar a laghad
Ábhar	Polaimid (PA-GF)
Séidire	Mótar séidire imthaca gléasta ar ardchaighdeán
Fiús	Fiús leictreonach
Cadhnra	Cineál: Cadhnra in-athluchtaithe ian litiam Voltais/foilleadh: 14.8V / 3.25Ah Timhrialta luchtaithe: > 500 Am oibriúcháin, leibhéal 1* 18 uair an chloig Am oibriúcháin, leibhéal 2* 16 n-uair an chloig Am oibriúcháin, leibhéal 3* 13 n-uair an chloig Am luchtaithe: thart ar 5 uair an chloig Meáchan: 420g / 14.85 oz Dath: Dubh *Íosam oibriúcháin ag teocht an tseomra le scagaire nua
Leibhéal torainn	Uasmhéid 70 dB (A)
Comharthaí rabhaidh	Aláram inchoilste agus infheicthe nuair atá an cadhnra lag, an scagaire bachta nó in easnann nó nuair atá an t-aersheabhach íseal
Scagairí	1x cineál TH3P R SL do chóras TH3P (an Eoraip)/do chóras TH3P (an Astráil)
Osán aeriú	Fad: 1160 mm (leasteach suas le 1300 mm le clúdach cosanta) Trastomhas: 31 mm (taobh istigh) Meáchan: 185 g/6.526 oz (gan clúdach cosanta) Dath: Dubh
Meáchan	1195 g/42.152 oz (scagaire agus crios san áireamh, gan an cadhnra a áireamh)
Toisí	Fad x Leithead x Airde: 222 x 213 x 92.6 mm
Caighdeán	EN 12941:1998 / A2:2008, EAC TP TC 019/2011, AS/NZS 1716
An comhlacht ar tugadh fógra dó	CE 1024

Scóip an tseachadta/Páirteanna spártha (féach leathanach I, II, III)

- e3000X PAPER
- Príomhscagairí, scagaire TH3P R SL do chóras TH3P (an Eoraip)/do chóras TH3P (an Astráil)
- Réamhscagaire
- Bac spréach
- Clúdach scagaire
- Cadhnra caighdeánach (lan litiam, 48 Wh)
- Clogad sábháilteachta PAPER-chomhoiriúnach
- Osán
- Clúdach cosanta don osán aeriú (oiriúintí, nach bhfuil san áireamh)
- Is féidir teacht ar oiriúintí breise sa phríomhchatalóg nó ar ár láithreán gréasáin.

Míniúcháin ar na siombailí (féach leathanach IV)

- Léigh na treoracha oibriúcháin roimh a úsáid
- Ná hoscail le ndai géara é
- Ábhar sobhrise
- Bíodh an taobh seo in airde nuair a stóráítear é
- Coinnigh amach ó thaise
- Comhartha aitheantais an chomhlachta ar tugadh fógra dó (cosaint riospráide)
- Comhartha comhoiriúnachta EAS (an Rúis)
- Comhartha aitheantais an chomhlachta ar tugadh fógra dó (cosaint súil)
- Tá ian litiam ann
- Plaisteach, in-athchúrsáilte
- An teocht stórála a mholtar: 5°C go +25°C
- Ná diúscair mar dhramhail t.í. Diúscair mar dhramhail ghuaiseach é.

Dearbhú Comhriachtanach

Féach an seoldh Idirlin ar an leathanach deireanach.

Faisnéis dlí

Tá an cháipéis seo ag teacht leis na riachtanais a leagtar síos le halt 1.4 d'Iarscríbhinn II Rialachán 2016/425 ón Aontas Eorpach.

An comhlacht ar tugadh fógra dó

Le heolas mionsonraithe a fháil, féach an leathanach deireanach.

optrel tec ag
industriestrasse 2
ch-9630 wattwil

phone: +41 (0)71 987 42 00
fax: +41 (0)71 987 42 99

info@optrel.com
www.optrel.com



CE¹⁰²⁴
Notified body
Occupational Safety Research
Institute
Jeruzalémská 1283/9
CZ-110 00 Praha 1
Czech Republic



TP TC 019/2011
AS/NZS 1716

Serial No.:	Numer seryjny:
Numéro de série:	Sériové číslo:
Seriennummer:	Серийный номер:
Seriennummer:	Sorszám:
Numero di serie:	Seri No.:
Número de serie:	Serijski broj:
Número de série:	Sraithuimhir:
Serienr.:	
Sarjanumero:	
Seriennummer:	
Seriennummer:	

Date of sale:	data sprzedaży:
Date de vente:	Datum prodeje:
Verkaufsdatum:	Дата продажи:
Försäljningsdatum:	Eladás dátuma:
Data di vendita:	Satış tarihi:
Fecha de venta:	Prodaja Datum:
Data de venda:	Díol Dáta:
Datum van verkoop:	
Myyntipäivä:	
Salgsdato:	
Dato for salg:	

Dealer's stamp:	pieczęć sprzedawcy:
Cachet du revendeur:	Razítko prodejece:
Händlerstempel:	печать дилера:
Försäljarens stämpel:	Kereskedő pecsétje:
francobollo del rivenditore:	Bayi damgası:
Sello del comerciante:	Pečat trgovca:
carimbo do concessionário:	Stampa an déileálaí:
Dealerstempel:	
Jälleenmyyjän leima:	
Forhandlers frimærke:	
Forhandlerens stempel:	



visit our homepage
<http://www.optrel.com/>

declaration of conformity
<https://www.optrel.com/service/downloads/>